



Siemens Matsushita Components

EMC

Components

Chokes for Power Lines
D Core Chokes (Eco Chokes)
B82731-M/-H

Data Book Supplement

Rated voltage 250 Vdc/Vac
Rated current 0,35 to 1,8 A
Rated inductance 3,3 to 100 mH



Construction

- Current-compensated double choke with closed, rectangular ferrite core
- Closed polycarbonate coil former with 4 sections
- Without encapsulation
- 2-section winding
- Creepage distances and clearances > 3 mm

Features

- Coil former flame-retardant as per UL 94 V-0
- Recycleable owing to omission of encapsulation and glue
- High resonance frequency due to 2-section winding
- Low leakage due to closed core shape
- High pulse strength
- Low whirring noise
- Approx. 1 % stray inductance for symmetrical interference suppression

Applications

- Electronic ballasts for lamps
- Switch-mode power supplies for TV sets



Anschlüsse

- Pins 0,6 x 0,6 mm
- Lead spacing 12,5 x 10 mm

Marking

Ordering code, rated current, rated inductance, marks of conformity, manufacturer, date code

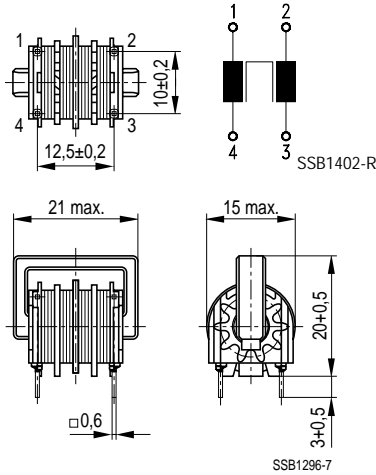
Approvals

Marks of conformity	Standards
 	EN 60 938 ¹⁾ UL 1283 ¹⁾

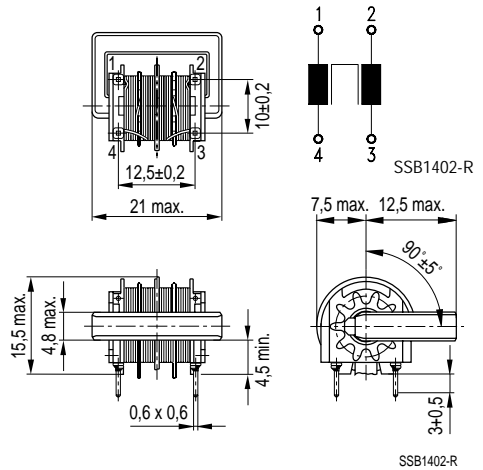
1) For 0,35 and 0,4 A in preparation

Dimensional drawing and pin configuration

vertical version



horizontal version



Technical data

Rated voltage V_R	250 Vac/250 Vdc
Test voltage V_P	1500 Vac, 2 s (line/line)
Rated current I_R	Referred to 50 Hz and 40 °C ambient temperature
Inductance tolerance	- 30/+ 50 %
Weight	approx. 7 g

For further details refer to data book "EMC Components" 1996, page 179.

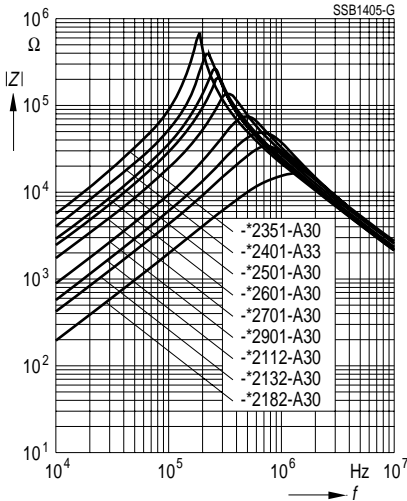
Characteristics and ordering codes

I_R A	L_R mH	L_{Stray} μ H	R_{typ} m Ω	Ordering code	
				vertical version	horizontal version
0,35	100	1000	4500	B82731-M2351-A30	B82731-H2351-A30
0,4	68	700	3000	B82731-M2401-A33	B82731-H2401-A33
0,5	47	470	2000	B82731-M2501-A30	B82731-H2501-A30
0,6	39	390	1500	B82731-M2601-A30	B82731-H2601-A30
0,7	27	270	1000	B82731-M2701-A30	B82731-H2701-A30
0,9	15	150	600	B82731-M2901-A30	B82731-H2901-A30
1,1	10	100	400	B82731-M2112-A30	B82731-H2112-A30
1,3	6,8	70	280	B82731-M2132-A30	B82731-H2132-A30
1,8	3,3	35	140	B82731-M2182-A30	B82731-H2182-A30

Impedance Z versus frequency f
(measured with windings in parallel)

B82731-*

* = M or H



**Published by Siemens Matsushita Components GmbH & Co. KG
Marketing Kommunikation, Postfach 80 17 09, D-81617 München**

© Siemens Matsushita Components 1999. All Rights Reserved.

As far as patents or other rights of third parties are concerned, liability is only assumed for components per se, not for applications, processes and circuits implemented within components or assemblies.

The information describes the type of component and shall not be considered as assured characteristics.

Terms of delivery and rights to change design reserved.

This brochure replaces the previous edition.

For questions on technology, prices and delivery please contact the Sales Offices of Siemens AG, Passive Components and Electron Tubes Group, in the Federal Republic of Germany or the international Siemens Companies and Representatives.

Due to technical requirements components may contain dangerous substances. For information on the type in question please also contact one of our Sales Offices.