



7N50

Preliminary

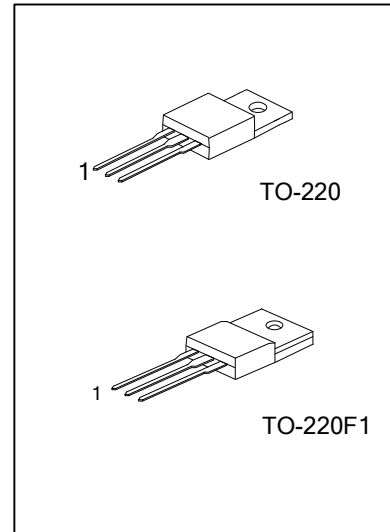
Power MOSFET

7 Amps, 500 Volts N-CHANNEL POWER MOSFET

DESCRIPTION

The UTC **7N50** is an N-channel mode power MOSFET using UTC's advanced technology to provide customers with planar stripe and DMOS technology. This technology allows a minimum on-state resistance and superior switching performance. It also can withstand high energy pulse in the avalanche and commutation mode.

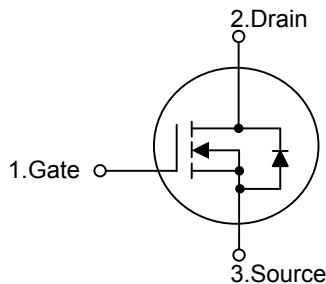
The UTC **7N50** is generally applied in high efficiency switch mode power supplies, active power factor correction and electronic lamp ballasts based on half bridge topology.



FEATURES

- * 7A, 500V, $R_{DS(ON)}=0.9\Omega @ V_{GS}=10V$
- * High Switching Speed
- * 100% Avalanche Tested

SYMBOL



ORDERING INFORMATION

Ordering Number		Package	Pin Assignment			Packing
Lead Free	Halogen Free		1	2	3	
7N50L-TA3-T	7N50G-TA3-T	TO-220	G	D	S	Tube
7N50L-TF1-T	7N50G-TF1-T	TO-220F1	G	D	S	Tube

Note: Pin Assignment: G: Gate D: Drain S: Source

<p>7N50L-TA3-T</p> <p>(1)Packing Type</p> <p>(2)Package Type</p> <p>(3)Lead Free</p>	<p>(1) T: Tube</p> <p>(2) TA3: TO-220 ,TF1: TO-220F1</p> <p>(3) G: Halogen Free, L: Lead Free</p>
--	---

■ ABSOLUTE MAXIMUM RATINGS ($T_C=25^\circ\text{C}$, unless otherwise specified)

PARAMETER		SYMBOL	RATINGS	UNIT
Drain-Source Voltage		V_{DSS}	500	V
Gate-Source Voltage		V_{GSS}	± 30	V
Drain Current	Continuous ($T_C=25^\circ\text{C}$)	I_D	7 *	A
	Pulsed (Note 1)	I_{DM}	28 *	A
Avalanche Current (Note 1)		I_{AR}	7	A
Avalanche Energy	Single Pulsed (Note 2)	E_{AS}	270	mJ
	Repetitive (Note 3)	E_{AR}	8.9	mJ
Peak Diode Recovery dv/dt (Note 3)		dv/dt	4.5	V/ns
Power Dissipation	$T_C=25^\circ\text{C}$	TO-220	89	W
		TO-220F1	39	
	Derate above 25°C	TO-220	0.71	W/ $^\circ\text{C}$
		TO-220F1	0.31	
Junction Temperature		T_J	+150	$^\circ\text{C}$
Storage Temperature		T_{STG}	-55~+150	$^\circ\text{C}$

Note: Absolute maximum ratings are those values beyond which the device could be permanently damaged.

Absolute maximum ratings are stress ratings only and functional device operation is not implied.

* Drain current limited by maximum junction temperature

■ THERMAL DATA

PARAMETER		SYMBOL	RATINGS	UNIT
Junction to Ambient	TO-220	θ_{JA}	62.5	$^\circ\text{C/W}$
	TO-220F1		62.5	
Junction to Case	TO-220	θ_{JC}	1.4	$^\circ\text{C/W}$
	TO-220F1		3.2	

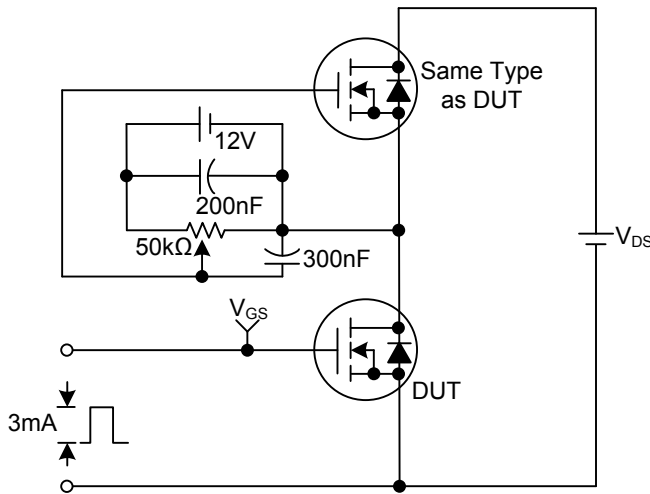
■ ELECTRICAL CHARACTERISTICS ($T_c=25^\circ\text{C}$, unless otherwise noted)

PARAMETER	SYMBOL	TEST CONDITIONS	MIN	TYP	MAX	UNIT	
OFF CHARACTERISTICS							
Drain-Source Breakdown Voltage	BV_{DSS}	$I_D=250\mu\text{A}$, $V_{GS}=0\text{V}$	500			V	
Drain-Source Leakage Current	I_{DSS}	$V_{DS}=500\text{V}$, $V_{GS}=0\text{V}$			1	μA	
		$V_{DS}=400\text{V}$, $T_c=125^\circ\text{C}$			10		
Gate- Source Leakage Current	Forward	I_{GSS}			+100	nA	
	Reverse						$V_{GS}=+30\text{V}$, $V_{DS}=0\text{V}$
					-100	nA	
ON CHARACTERISTICS							
Gate Threshold Voltage	$V_{GS(TH)}$	$V_{DS}=V_{GS}$, $I_D=250\mu\text{A}$	2.0		4.0	V	
Static Drain-Source On-State Resistance	$R_{DS(ON)}$	$V_{GS}=10\text{V}$, $I_D=3.5\text{A}$		0.76	0.9	Ω	
DYNAMIC PARAMETERS							
Input Capacitance	C_{ISS}	$V_{GS}=0\text{V}$, $V_{DS}=25\text{V}$, $f=1.0\text{MHz}$		720	940	pF	
Output Capacitance	C_{OSS}				95	190	pF
Reverse Transfer Capacitance	C_{RSS}				9	13.5	pF
SWITCHING PARAMETERS							
Total Gate Charge	Q_G	$V_{GS}=10\text{V}$, $V_{DS}=400\text{V}$, $I_D=7\text{A}$ (Note 4, 5)		12.8	16.6	nC	
Gate to Source Charge	Q_{GS}				3.7		nC
Gate to Drain Charge	Q_{GD}				5.8		nC
Turn-ON Delay Time	$t_{D(ON)}$	$V_{DD}=250\text{V}$, $I_D=7\text{A}$, $R_G=25\Omega$ (Note 4, 5)		6	20	ns	
Rise Time	t_R				55	120	ns
Turn-OFF Delay Time	$t_{D(OFF)}$				25	60	ns
Fall-Time	t_F				35	80	ns
SOURCE- DRAIN DIODE RATINGS AND CHARACTERISTICS							
Maximum Body-Diode Continuous Current	I_S				7	A	
Maximum Body-Diode Pulsed Current	I_{SM}				28	A	
Drain-Source Diode Forward Voltage	V_{SD}	$I_S=7\text{A}$, $V_{GS}=0\text{V}$			1.4	V	
Body Diode Reverse Recovery Time	t_{RR}	$I_S=7\text{A}$, $V_{GS}=0\text{V}$, $di_F/dt=100\text{A}/\mu\text{s}$ (Note 4)		275		ns	
Body Diode Reverse Recovery Charge	Q_{RR}				0.04		μC

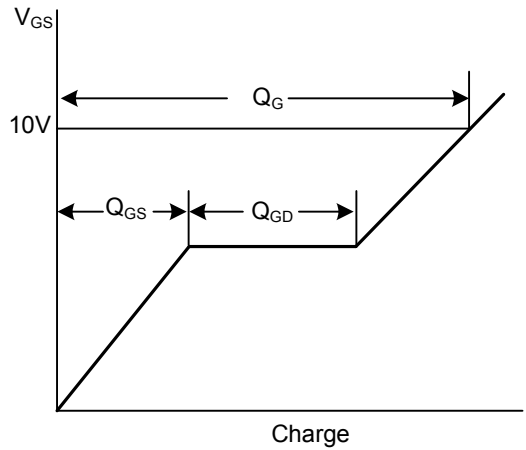
- Notes: 1. Repetitive Rating: Pulse width limited by maximum junction temperature
 2. $L = 10\text{mH}$, $I_{AS} = 7\text{A}$, $V_{DD} = 50\text{V}$, $R_G = 25\Omega$, Starting $T_J = 25^\circ\text{C}$
 3. $I_{SD} \leq 7\text{A}$, $di/dt \leq 200\text{A}/\mu\text{s}$, $V_{DD} \leq BV_{DSS}$, Starting $T_J = 25^\circ\text{C}$
 4. Pulse Test: Pulse width $\leq 300\mu\text{s}$, Duty cycle $\leq 2\%$
 5. Essentially independent of operating temperature

■ TEST CIRCUITS AND WAVEFORMS

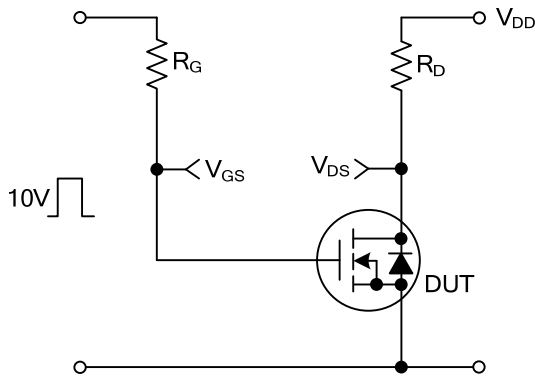
Gate Charge Test Circuit



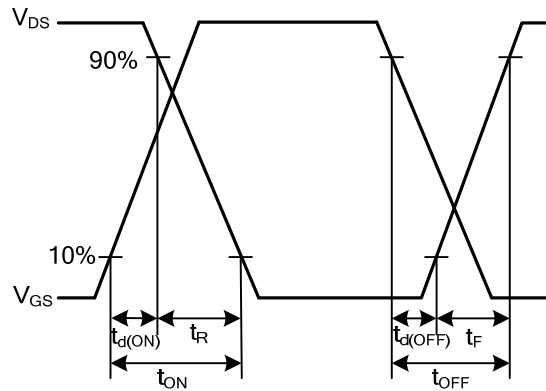
Gate Charge Waveforms



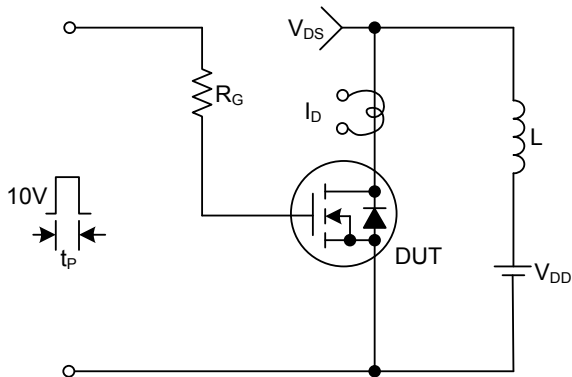
Resistive Switching Test Circuit



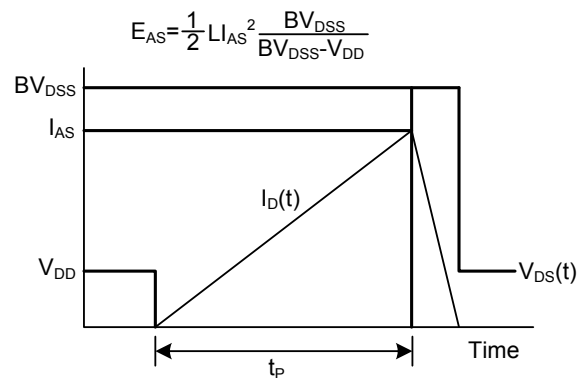
Resistive Switching Waveforms



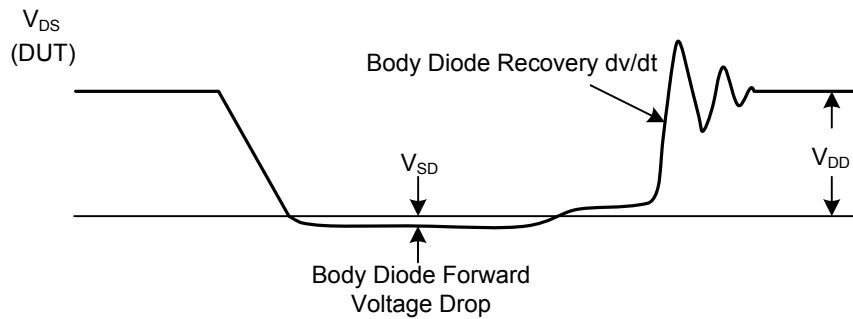
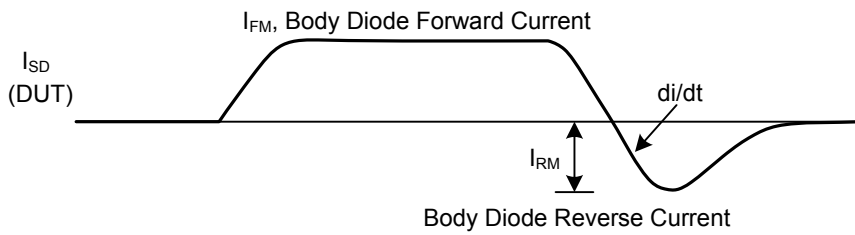
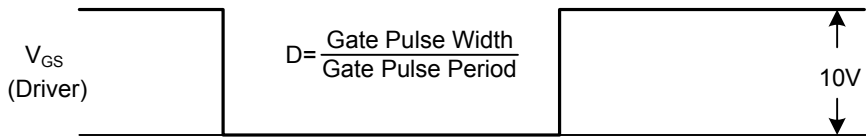
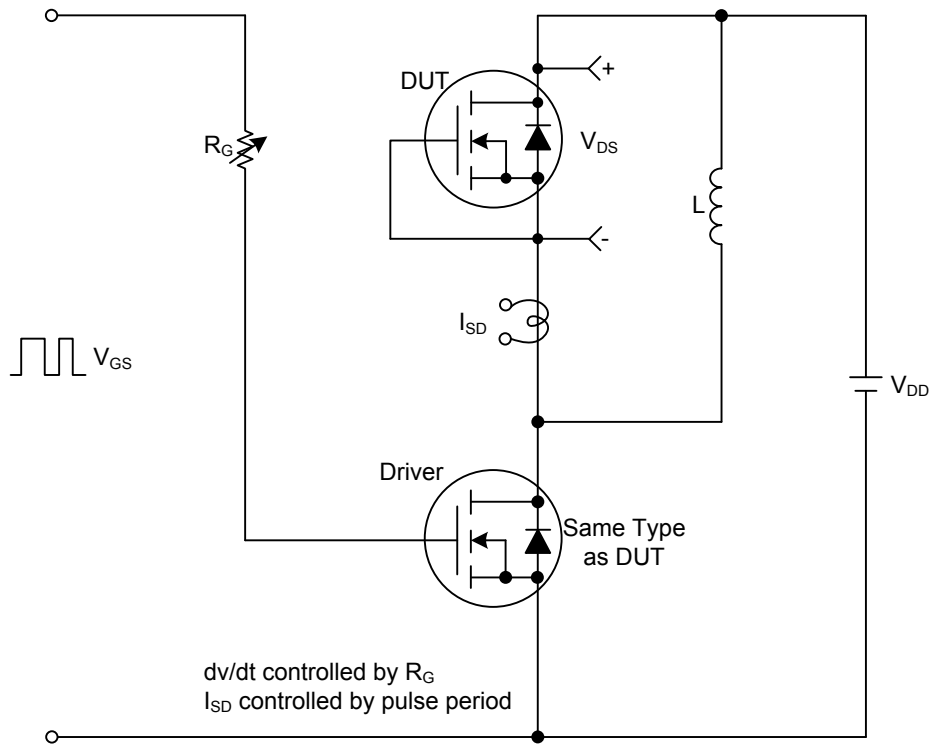
Unclamped Inductive Switching Test Circuit



Unclamped Inductive Switching Waveforms



Peak Diode Recovery dv/dt Test Circuit & Waveforms



UTC assumes no responsibility for equipment failures that result from using products at values that exceed, even momentarily, rated values (such as maximum ratings, operating condition ranges, or other parameters) listed in products specifications of any and all UTC products described or contained herein. UTC products are not designed for use in life support appliances, devices or systems where malfunction of these products can be reasonably expected to result in personal injury. Reproduction in whole or in part is prohibited without the prior written consent of the copyright owner. The information presented in this document does not form part of any quotation or contract, is believed to be accurate and reliable and may be changed without notice.