

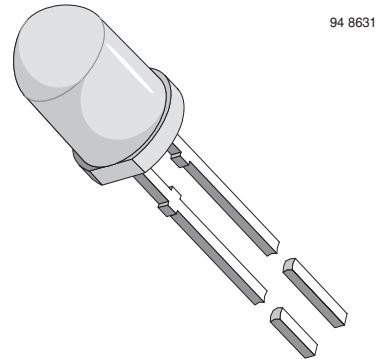
Ultrabright White LED, \varnothing 5 mm Untinted Non-Diffused

Description

The TLCW5100 series is a clear, non diffused 5 mm LED for high end applications where supreme luminous intensity required.

These lamps with clear untinted plastic case utilize the highly developed ultrabright InGaN technologies.

The lens and the viewing angle is optimized to achieve best performance of light output and visibility.



Features

- Untinted non diffused lens
- Utilizing ultrabright InGaN technology
- High luminous intensity
- Luminous intensity and color categorized for each packing unit
- ESD-withstand voltage:
1 kV for InGaN

Applications

- Interior and exterior lighting
- Outdoor LED panels
- Instrumentation and front panel indicators
- Replaces incandescent lamps
- Light guide design

Parts Table

Part	Color, Luminous Intensity	Angle of Half Intensity ($\pm\phi$)	Technology
TLCW5100	White, $I_V = 4000$ mcd (typ.)	9 °	InGaN / YAG on SiC

Absolute Maximum Ratings

$T_{amb} = 25$ °C, unless otherwise specified

TLCW5100

Parameter	Test condition	Symbol	Value	Unit
Reverse voltage		V_R	5	V
DC forward current	$T_{amb} \leq 60$ °C	I_F	30	mA
Surge forward current	$t_p \leq 10$ μ s	I_{FSM}	0.1	A
Power dissipation	$T_{amb} \leq 60$ °C	P_V	135	mW
Junction temperature		T_j	100	°C
Operating temperature range		T_{amb}	- 40 to + 100	°C
Storage temperature range		T_{stg}	- 40 to + 100	°C
Soldering temperature	$t \leq 5$ s	T_{sd}	260	°C
Thermal resistance junction/ambient		R_{thJA}	300	K/W

Optical and Electrical Characteristics

T_{amb} = 25 °C, unless otherwise specified

White

TLCW5100

Parameter	Test condition	Symbol	Min	Typ.	Max	Unit
Luminous intensity	I _F = 30 mA	I _V	1000	4000		mcd
Chromaticity coordinate x acc. to CIE 1931	I _F = 30 mA	x		0.33		
Chromaticity coordinate y acc. to CIE 1931	I _F = 30 mA	y		0.33		
Angle of half intensity	I _F = 30 mA	φ		± 9		deg
Forward voltage	I _F = 30 mA	V _F		3.9	4.5	V
Reverse voltage	I _R = 10 μA	V _R	5			V
Temperature coefficient of V _F	I _F = 30 mA	TC _{V_F}		- 4		mV/K
Temperature coefficient of I _V	I _F = 30 mA	TC _{I_V}		- 0.5		% / K

Chromaticity Coordinate Classification

Group	X		Y	
	min	max	min	max
3a	0.2900	0.3025	Y = 1.4x - 0.121	Y = 1.4x - 0.071
3b	0.3025	0.3150	Y = 1.4x - 0.121	Y = 1.4x - 0.071
3c	0.2900	0.3025	Y = 1.4x - 0.171	Y = 1.4x - 0.121
3d	0.3025	0.3150	Y = 1.4x - 0.171	Y = 1.4x - 0.121
4a	0.3150	0.3275	Y = 1.4x - 0.121	Y = 1.4x - 0.071
4b	0.3275	0.3400	Y = 1.4x - 0.121	Y = 1.4x - 0.071
4c	0.3150	0.3275	Y = 1.4x - 0.171	Y = 1.4x - 0.121
4d	0.3275	0.3400	Y = 1.4x - 0.171	Y = 1.4x - 0.121
5a	0.3400	0.3525	Y = 1.4x - 0.121	Y = 1.4x - 0.071
5b	0.3525	0.3650	Y = 1.4x - 0.121	Y = 1.4x - 0.071
5c	0.3400	0.3525	Y = 1.4x - 0.171	Y = 1.4x - 0.121
5d	0.3525	0.3650	Y = 1.4x - 0.171	Y = 1.4x - 0.121

tolerance ± 0.005

Typical Characteristics ($T_{amb} = 25\text{ }^{\circ}\text{C}$ unless otherwise specified)

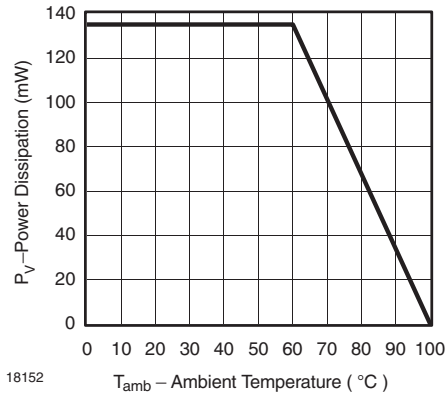


Figure 1. Power Dissipation vs. Ambient Temperature

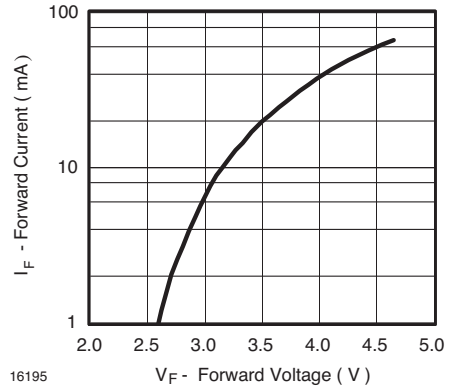


Figure 4. Forward Current vs. Forward Voltage

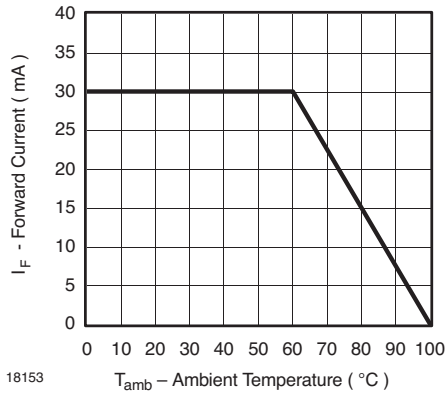


Figure 2. Forward Current vs. Ambient Temperature

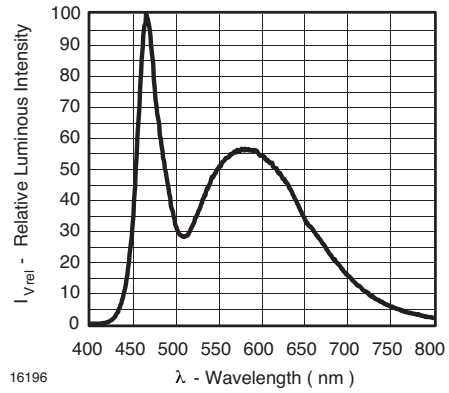


Figure 5. Relative Intensity vs. Wavelength

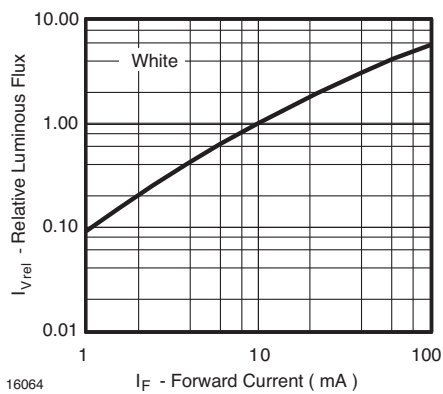


Figure 3. Relative Luminous Flux vs. Forward Current

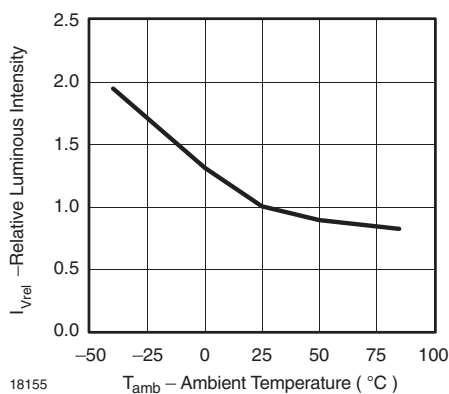


Figure 6. Relative Luminous Intensity vs. Amb. Temperature

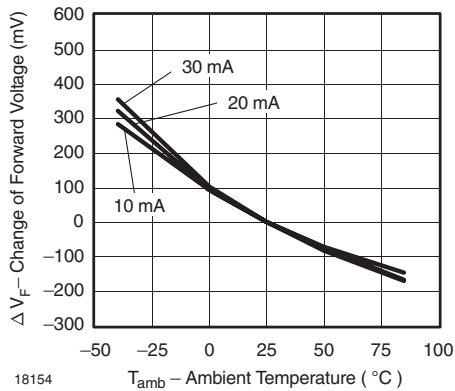


Figure 7. Change of Forward Voltage vs. Ambient Temperature

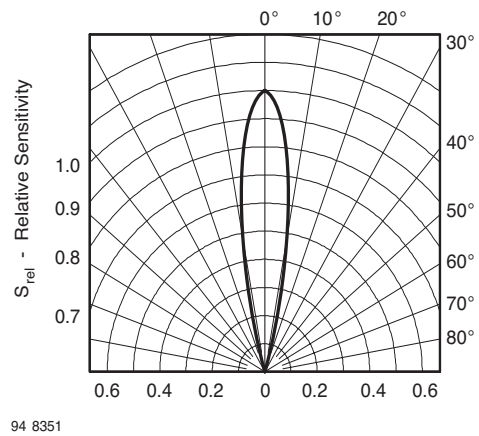


Figure 10. Relative Radiant Sensitivity vs. Angular Displacement

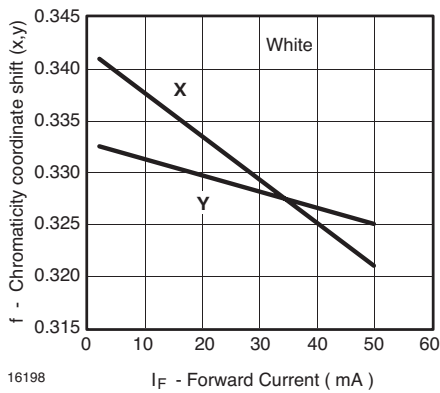


Figure 8. Chromaticity Coordinate Shift vs. Forward Current

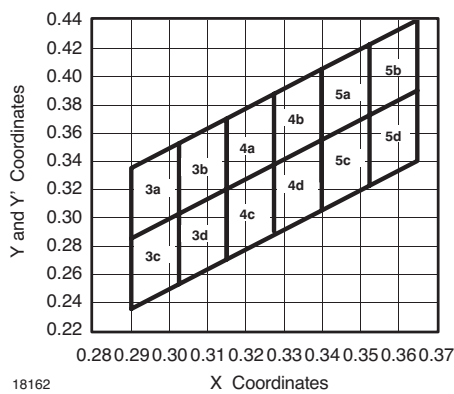
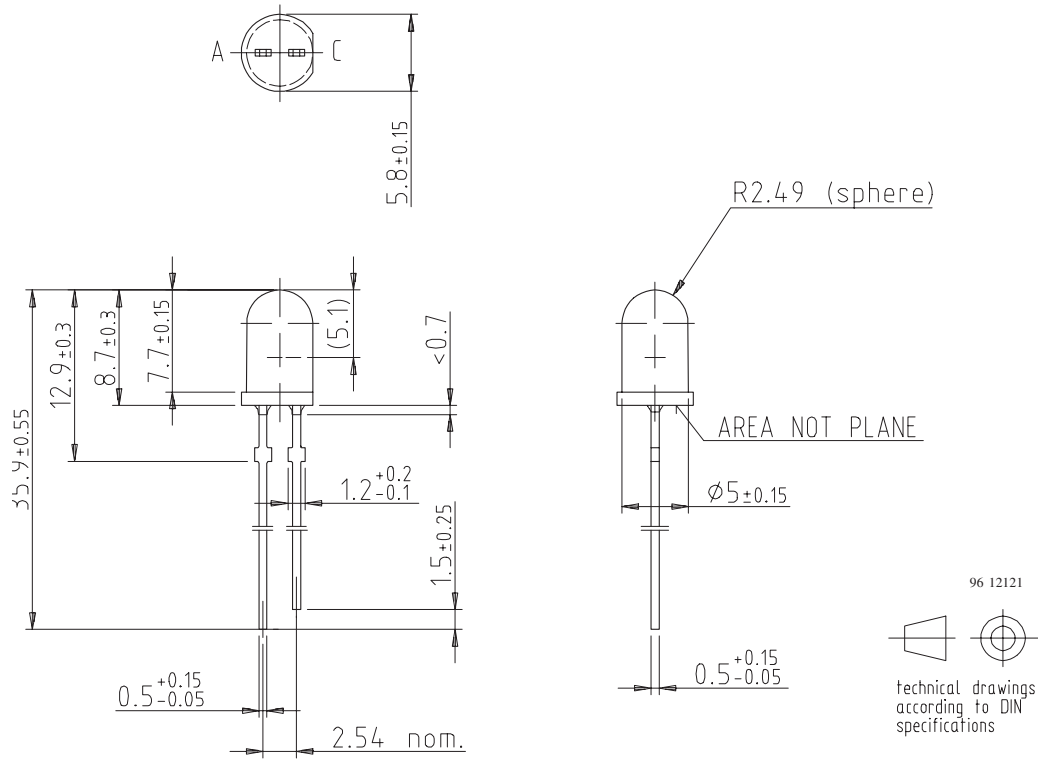


Figure 9. Coordinates of Colorgroups

Package Dimensions in mm



Ozone Depleting Substances Policy Statement

It is the policy of **Vishay Semiconductor GmbH** to

1. Meet all present and future national and international statutory requirements.
2. Regularly and continuously improve the performance of our products, processes, distribution and operating systems with respect to their impact on the health and safety of our employees and the public, as well as their impact on the environment.

It is particular concern to control or eliminate releases of those substances into the atmosphere which are known as ozone depleting substances (ODSs).

The Montreal Protocol (1987) and its London Amendments (1990) intend to severely restrict the use of ODSs and forbid their use within the next ten years. Various national and international initiatives are pressing for an earlier ban on these substances.

Vishay Semiconductor GmbH has been able to use its policy of continuous improvements to eliminate the use of ODSs listed in the following documents.

1. Annex A, B and list of transitional substances of the Montreal Protocol and the London Amendments respectively
2. Class I and II ozone depleting substances in the Clean Air Act Amendments of 1990 by the Environmental Protection Agency (EPA) in the USA
3. Council Decision 88/540/EEC and 91/690/EEC Annex A, B and C (transitional substances) respectively.

Vishay Semiconductor GmbH can certify that our semiconductors are not manufactured with ozone depleting substances and do not contain such substances.

**We reserve the right to make changes to improve technical design
and may do so without further notice.**

Parameters can vary in different applications. All operating parameters must be validated for each customer application by the customer. Should the buyer use Vishay Semiconductors products for any unintended or unauthorized application, the buyer shall indemnify Vishay Semiconductors against all claims, costs, damages, and expenses, arising out of, directly or indirectly, any claim of personal damage, injury or death associated with such unintended or unauthorized use.

Vishay Semiconductor GmbH, P.O.B. 3535, D-74025 Heilbronn, Germany
Telephone: 49 (0)7131 67 2831, Fax number: 49 (0)7131 67 2423