

Low Power Notebook LCD Panel EMI Reduction IC

Features

- FCC approved method of EMI attenuation
- Generates a low EMI spread spectrum of the input clock frequency
- Optimized for frequency range:
P1727X: 20MHz to 40MHz
- Internal loop filter minimizes external components and board space
- 8 different frequency deviations ranging from +/-0.625% to -3.50%
- Low inherent Cycle-to-cycle jitter
- 3.3V Operating Voltage
- Supports notebook VGA and other LCD timing controller applications
- Available in 8 pin SOIC and TSSOP
- Qualified for Industrial Temp Spec. (-40°C to +85°C)

significant system cost savings by reducing the number of circuit board layers and shielding that are traditionally required to pass EMI regulations.

The P1727 modulates the output of a single PLL in order to “spread” the bandwidth of a synthesized clock, thereby decreasing the peak amplitudes of its harmonics. This result in significantly lower system EMI compared to the typical narrow band signal produced by oscillators and most clock generators. Lowering EMI by increasing a signal’s bandwidth is called “spread spectrum clock generation”.

The P1727 uses the most efficient and optimized modulation profile approved by the FCC and is implemented by using a proprietary all-digital method.

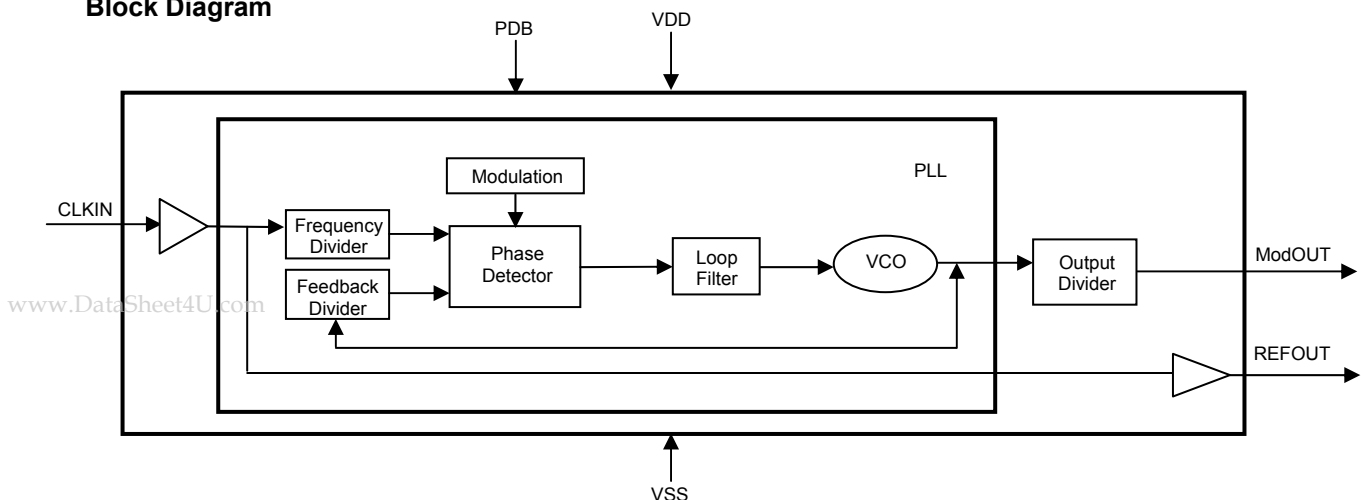
Product Description

The P1727 is a versatile spread spectrum frequency modulator designed specifically for a wide range of clock frequencies. The P1727 reduces electromagnetic interference (EMI) at the clock source, allowing system wide reduction of EMI of down stream (clock and data dependent signals). The P1727 allows

Applications

The P1727 is targeted towards notebook LCD displays, other displays using an LVDS interface, PC peripheral devices and embedded systems.

Block Diagram



rev 0.2

Pin Configuration

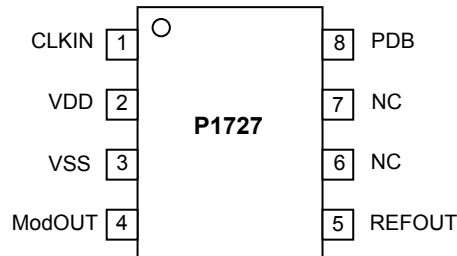


Table 1 – Power Down Selection

PDB	Spread Spectrum	ModOUT	PLL	Mode
0	N/A	Disabled	Disabled	Power Down
1	ON	Normal	Normal	Normal

Table 2 Frequency Deviation Selection

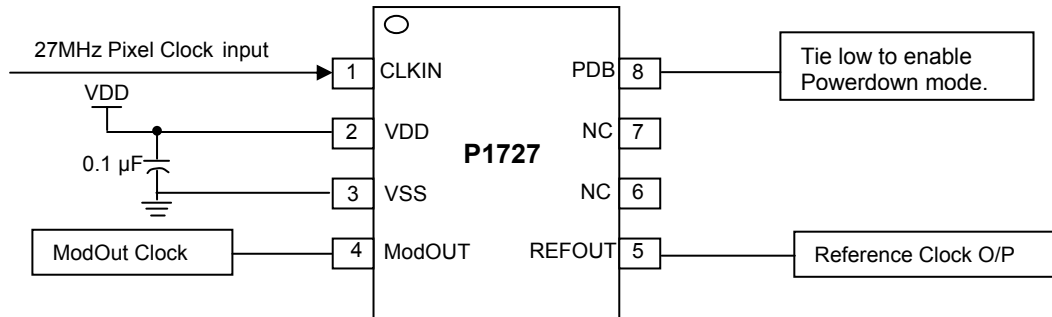
P/ N	Deviation	P/N	Deviation
P1727A	-1.25%	P1727E	+/-0.625%
P1727B	-1.75%	P1727F	+/-0.875%
P1727C	-2.50%	P1727G	+/-1.25%
P1727D	-3.50%	P1727H	+/-1.75%

Pin Description

Pin#	Pin Name	Type	Description
1	CLKIN	I	External reference frequency input. Connect to externally generated reference signal.
2	VDD	P	Connect to +3.3V
3	VSS	P	Ground Connection. Connect to system ground.
4	ModOUT	O	Spread Spectrum Clock output
5	REFOUT	O	Reference output.
6	NC		No connect
7	NC		No connect
8	PDB	I	Powerdown Pin. Pull low to disable spread spectrum clock output.

www.DataSheet4U.com

Schematic for notebook VGA application



Absolute Maximum Ratings

Symbol	Parameter	Rating	Unit
VDD, V _{IN}	Voltage on any pin with respect to Ground	-0.5 to +7	V
T _{STG}	Storage temperature	-65 to +125	°C
T _s	Max. Soldering Temperature (10 sec)	260	°C
T _J	Junction Temperature	150	°C
T _{DV}	Static Discharge Voltage (As per JEDEC STD22- A114-B)	2	KV

Note: These are stress ratings only and are not implied for functional use. Exposure to absolute maximum ratings for prolonged periods of time may affect device reliability.



Giving you the edge

April 2007

P1727

rev 0.2

DC Electrical Characteristics

Symbol	Parameter		Min	Typ	Max	Unit
V _{IL}	Input Low voltage		VSS – 0.3		0.8	V
V _{IH}	Input High voltage		2.0		VDD +0.3	V
I _{IL}	Input Low current				-35	μA
I _{IH}	Input High current				35	μA
V _{OL}	Output Low current	VDD = 3.3V, I _{OL} = 20mA			0.4	V
V _{OH}	Output High current	VDD = 3.3V, I _{OH} = 20mA	2.5			V
I _{DD}	Static Supply Current (CLKIN, PDB pulled Low)				2	mA
I _{CC}	Dynamic Supply Current (No Load)			14	18	mA
V _{DD}	Operating Voltage		3.0	3.3	3.6	V
t _{ON}	Power up time (first locked clock cycle after power up)			0.18		mS
Z _{OUT}	Clock Output impedance			50		Ω
T _A	Operating temperature		0		70	°C

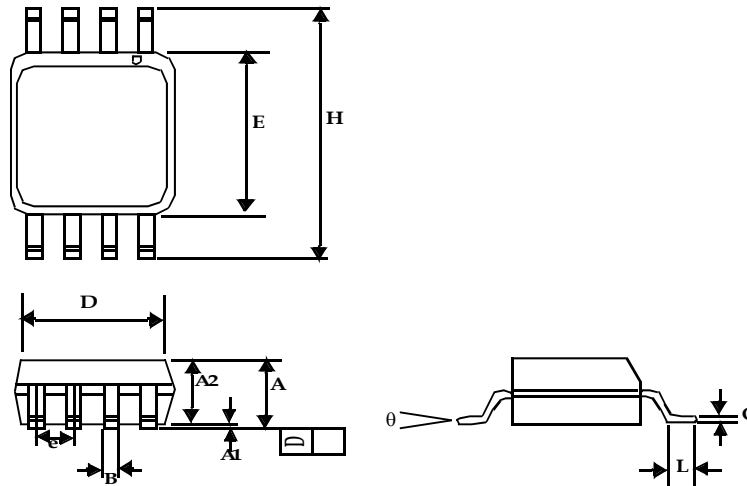
AC Electrical Characteristics

Symbol	Parameter		Min	Typ	Max	Unit
f _{IN}	Input Frequency:	P1727X	20		40	MHz
f _{OUT}	Output Frequency	P1727X	20		40	MHz
t _{LH} ¹	Output Rise time	Measured from 0.8V to 2.0V	0.7	0.9	1.1	nS
t _{HL} ¹	Output Fall time	Measured from 2.0V to 0.8V	0.6	0.8	1.0	nS
t _{JC}	Jitter (Cycle to cycle)			225	325	pS
t _D	Output Duty cycle		45	50	55	%

Note: 1. t_{LH} and t_{HL} are measured with a capacitive load of 15pF

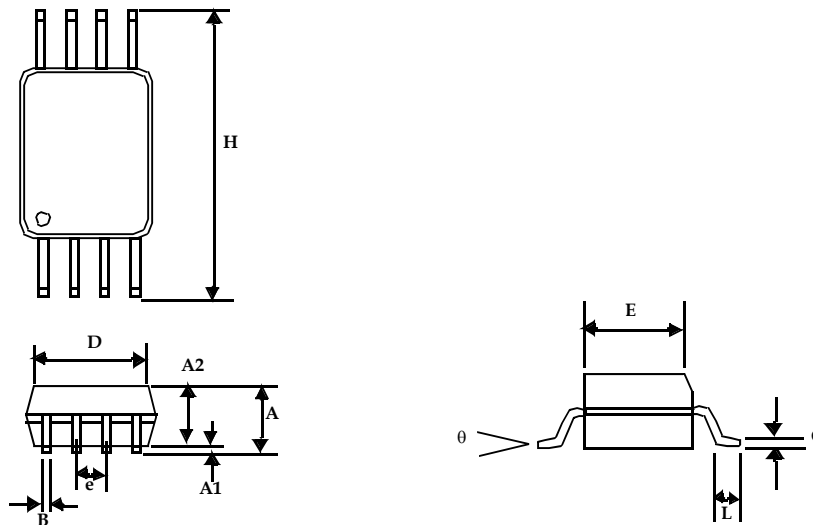
Package Information

8-lead (150-mil) SOIC Package



Symbol	Dimensions			
	Inches		Millimeters	
	Min	Max	Min	Max
A1	0.004	0.010	0.10	0.25
A	0.053	0.069	1.35	1.75
A2	0.049	0.059	1.25	1.50
B	0.012	0.020	0.31	0.51
C	0.007	0.010	0.18	0.25
D	0.193 BSC		4.90 BSC	
E	0.154 BSC		3.91 BSC	
e	0.050 BSC		1.27 BSC	
H	0.236 BSC		6.00 BSC	
L	0.016	0.050	0.41	1.27
θ	0°	8°	0°	8°

8-lead Thin Shrunken Small Outline Package (4.40-MM Body)



Symbol	Dimensions			
	Inches		Millimeters	
	Min	Max	Min	Max
A		0.043		1.10
A1	0.002	0.006	0.05	0.15
A2	0.033	0.037	0.85	0.95
B	0.008	0.012	0.19	0.30
c	0.004	0.008	0.09	0.20
D	0.114	0.122	2.90	3.10
E	0.169	0.177	4.30	4.50
e	0.026 BSC		0.65 BSC	
H	0.252 BSC		6.40 BSC	
L	0.020	0.028	0.50	0.70
θ	0°	8°	0°	8°

www.DataSheet4U.com



Giving you the edge

April 2007

P1727

rev 0.2

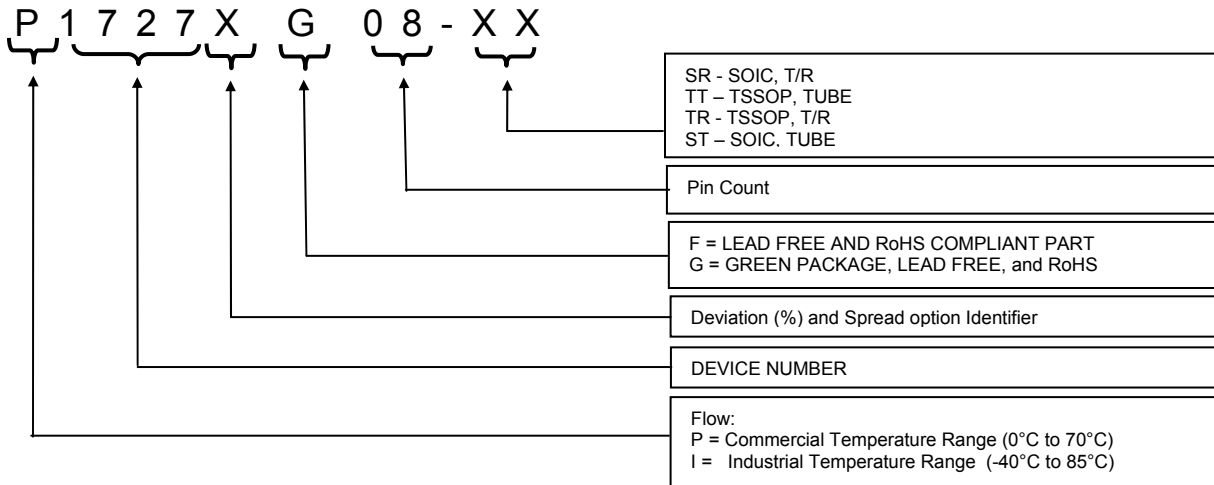
Ordering Information

Part number	Marking	Package Configuration	Temperature Range
P1727AG-08ST	P1727AG	8 PIN SOIC, TUBE, Green	Commercial
P1727AG-08SR	P1727AG	8 PIN SOIC, TAPE & REEL, Green	Commercial
P1727AG-08TT	P1727AG	8 PIN TSSOP, TUBE, Green	Commercial
P1727AG-08TR	P1727AG	8 PIN TSSOP, TAPE & REEL, Green	Commercial
P1727BG-08ST	P1727BG	8 PIN SOIC, TUBE, Green	Commercial
P1727BG-08SR	P1727BG	8 PIN SOIC, TAPE & REEL, Green	Commercial
P1727BG-08TT	P1727BG	8 PIN TSSOP, TUBE, Green	Commercial
P1727BG-08TR	P1727BG	8 PIN TSSOP, TAPE & REEL, Green	Commercial
P1727CG-08ST	P1727CG	8 PIN SOIC, TUBE, Green	Commercial
P1727CG-08SR	P1727CG	8 PIN SOIC, TAPE & REEL, Green	Commercial
P1727CG-08TT	P1727CG	8 PIN TSSOP, TUBE, Green	Commercial
P1727CG-08TR	P1727CG	8 PIN TSSOP, TAPE & REEL, Green	Commercial
P1727DG-08ST	P1727DG	8 PIN SOIC, TUBE, Green	Commercial
P1727DG-08SR	P1727DG	8 PIN SOIC, TAPE & REEL, Green	Commercial
P1727DG-08TT	P1727DG	8 PIN TSSOP, TUBE, Green	Commercial
P1727DG-08TR	P1727DG	8 PIN TSSOP, TAPE & REEL, Green	Commercial
P1727EG-08ST	P1727EG	8 PIN SOIC, TUBE, Green	Commercial
P1727EG-08SR	P1727EG	8 PIN SOIC, TAPE & REEL, Green	Commercial
P1727EG-08TT	P1727EG	8 PIN TSSOP, TUBE, Green	Commercial
P1727EG-08TR	P1727EG	8 PIN TSSOP, TAPE & REEL, Green	Commercial
P1727FG-08ST	P1727FG	8 PIN SOIC, TUBE, Green	Commercial
P1727FG-08SR	P1727FG	8 PIN SOIC, TAPE & REEL, Green	Commercial
P1727FG-08TT	P1727FG	8 PIN TSSOP, TUBE, Green	Commercial
P1727FG-08TR	P1727FG	8 PIN TSSOP, TAPE & REEL, Green	Commercial
P1727GG-08ST	P1727GG	8 PIN SOIC, TUBE, Green	Commercial
P1727GG-08SR	P1727GG	8 PIN SOIC, TAPE & REEL, Green	Commercial
P1727GG-08TT	P1727GG	8 PIN TSSOP, TUBE, Green	Commercial
P1727GG-08TR	P1727GG	8 PIN TSSOP, TAPE & REEL, Green	Commercial
P1727HG-08ST	P1727HG	8 PIN SOIC, TUBE, Green	Commercial
P1727HG-08SR	P1727HG	8 PIN SOIC, TAPE & REEL, Green	Commercial
P1727HG-08TT	P1727HG	8 PIN TSSOP, TUBE, Green	Commercial
P1727HG-08TR	P1727HG	8 PIN TSSOP, TAPE & REEL, Green	Commercial

www.DataSheet4U.com

rev 0.2

Device Ordering Information





Giving you the edge

April 2007

P1727

rev 0.2



Giving you the edge

PulseCore Semiconductor Corporation
1715 S. Bascom Ave Suite 200
Campbell, CA 95008
Tel: 408-879-9077
Fax: 408-879-9018
www.pulsecoresemi.com

Copyright © PulseCore Semiconductor
All Rights Reserved
Part Number: P1727
Document Version: 0.2

Note: This product utilizes US Patent # 6,646,463 Impedance Emulator Patent issued to PulseCore Semiconductor, dated 11-11-2003

© Copyright 2006 PulseCore Semiconductor Corporation. All rights reserved. Our logo and name are trademarks or registered trademarks of PulseCore Semiconductor. All other brand and product names may be the trademarks of their respective companies. PulseCore reserves the right to make changes to this document and its products at any time without notice. PulseCore assumes no responsibility for any errors that may appear in this document. The data contained herein represents PulseCore's best data and/or estimates at the time of issuance. PulseCore reserves the right to change or correct this data at any time, without notice. If the product described herein is under development, significant changes to these specifications are possible. The information in this product data sheet is intended to be general descriptive information for potential customers and users, and is not intended to operate as, or provide, any guarantee or warranty to any user or customer. PulseCore does not assume any responsibility or liability arising out of the application or use of any product described herein, and disclaims any express or implied warranties related to the sale and/or use of PulseCore products including liability or warranties related to fitness for a particular purpose, merchantability, or infringement of any intellectual property rights, except as express agreed to in PulseCore's Terms and Conditions of Sale (which are available from PulseCore). All sales of PulseCore products are made exclusively according to PulseCore's Terms and Conditions of Sale. The purchase of products from PulseCore does not convey a license under any patent rights, copyrights; mask works rights, trademarks, or any other intellectual property rights of PulseCore or third parties. PulseCore does not authorize its products for use as critical components in life-supporting systems where a malfunction or failure may reasonably be expected to result in significant injury to the user, and the inclusion of PulseCore products in such life-supporting systems implies that the manufacturer assumes all risk of such use and agrees to indemnify PulseCore against all claims arising from such use.