

PLEASE CHECK WWW.MOLEX.COM FOR LATEST PART INFORMATION

Part Number: [0050361687](#)
Status: **Active**
Overview: [standard_093](#)
Description: 2.36mm (.093") Diameter Standard .093" Pin and Socket Receptacle Housing Without Mounting Ears, Positive Lock, 2 Circuits, Glow Wire Compatible

Documents:

3D Model	Drawing (PDF)
Packaging Specification (PDF)	RoHS Certificate of Compliance (PDF)

Agency Certification

CSA	LR19980
UL	E29179

General

Product Family	Crimp Housings
Series	42191
Comments	Polarized to Mating Part, Without Mounting Ears
Overview	standard_093
Product Name	Standard .093"

Physical

Breakaway	No
Circuits (maximum)	2
Color - Resin	Black
Flammability	94V-2
Gender	Receptacle
Glow-Wire Compliant	Yes
Keying to Mating Part	None
Lock to Mating Part	Yes
Material - Resin	Nylon
Number of Rows	1
Packaging Type	Bag
Panel Mount	No
Pitch - Mating Interface (in)	0.248 In
Pitch - Mating Interface (mm)	6.30 mm
Pitch - Term. Interface (in)	0.248 In
Pitch - Term. Interface (mm)	6.30 mm
Polarized to Mating Part	Yes
Ports	1
Stackable	No
Temperature Range - Operating	-55°C to +105°C

Material Info

Old Part Number	42191-2R1-1
-----------------	-------------

Reference - Drawing Numbers

Sales Drawing	SD-42191-002
---------------	--------------

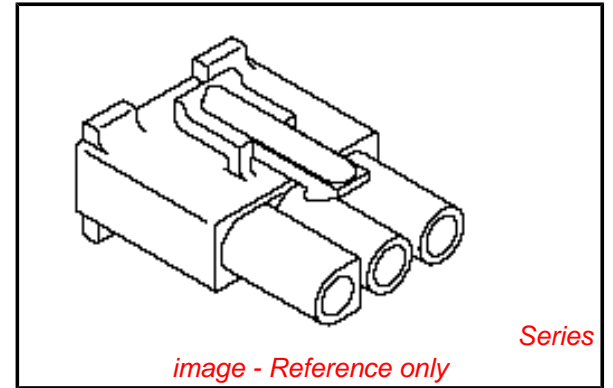


image - Reference only

EU RoHS

ELV and RoHS Compliant

REACH SVHC

Contains SVHC: No

Halogen-Free

Status

Halogen-Free

China RoHS



Need more information on product environmental compliance?

Email productcompliance@molex.com
 For a multiple part number RoHS Certificate of Compliance, [click here](#)

Please visit the [Contact Us](#) section for any non-product compliance questions.

Search Parts in this Series

[42191Series](#)

Mates With

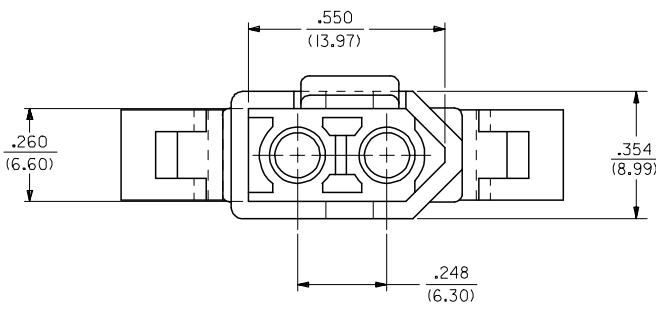
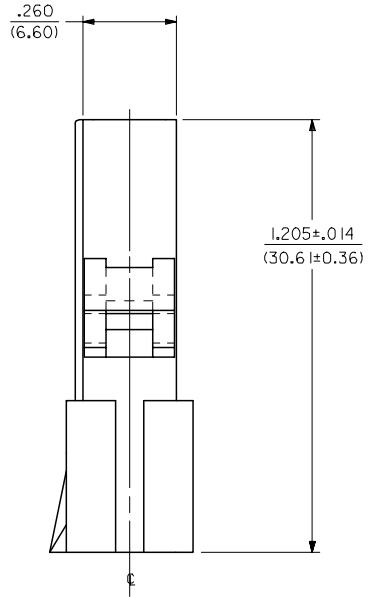
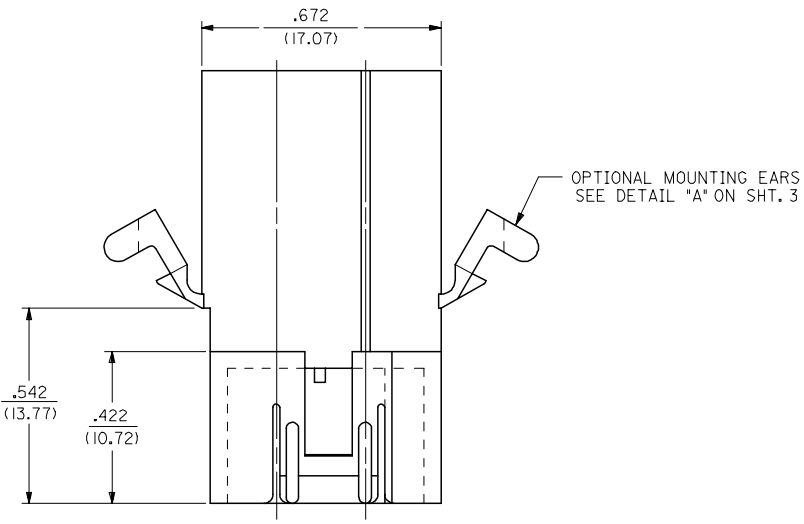
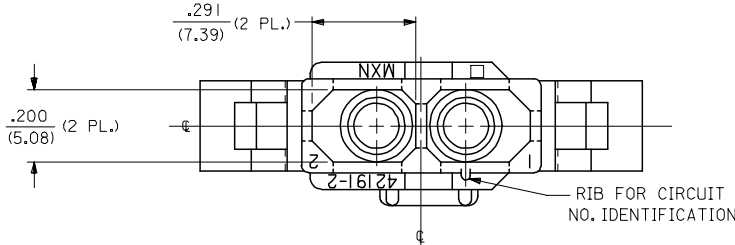
[42191](#) Pin and Socket Plug

Use With

[1189](#) Crimp Terminals, [1190](#) Crimp Terminals, [1380](#) Male Crimp Terminals, [1381](#) Female Crimp Terminals, [1433](#) Crimp Terminals, [1434](#) Male Crimp Terminals, [2605](#) , [2606](#) , [1973](#) , [2151](#) , [2273](#) , [2870](#) , [2871](#) , [4272](#) , Lin

13 12 11 10 9 8 7 6 5 4 3 2 1

J
I
H
G
F
E
D
C
B
A



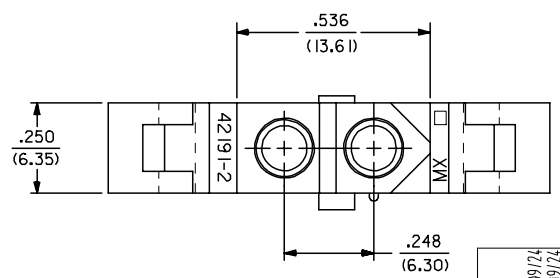
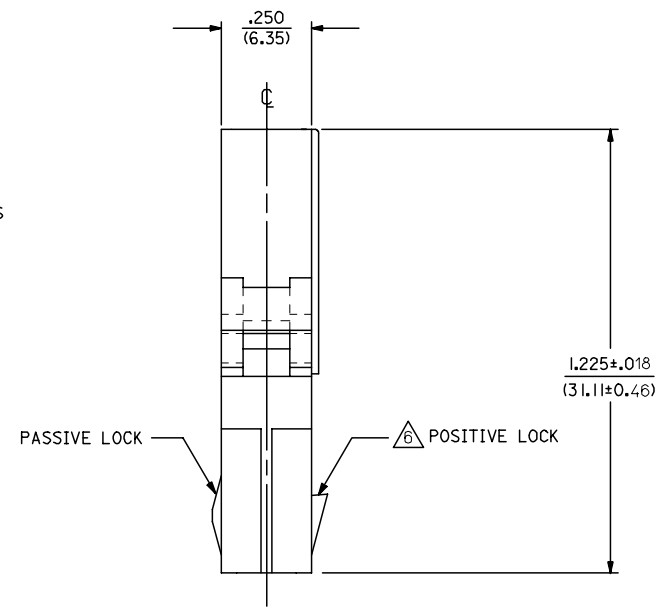
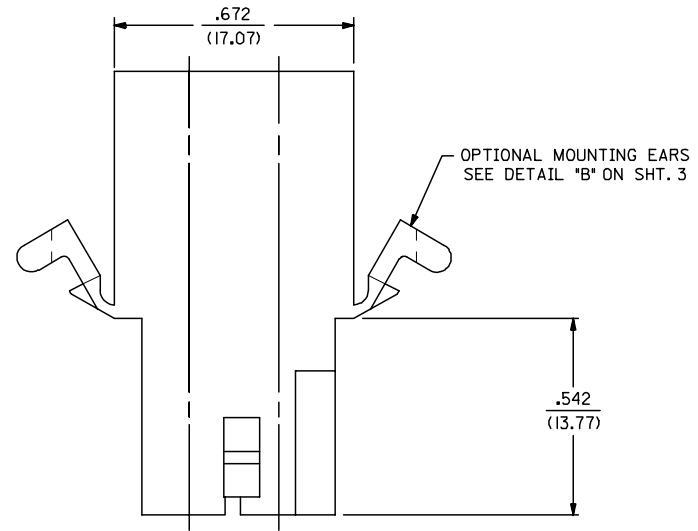
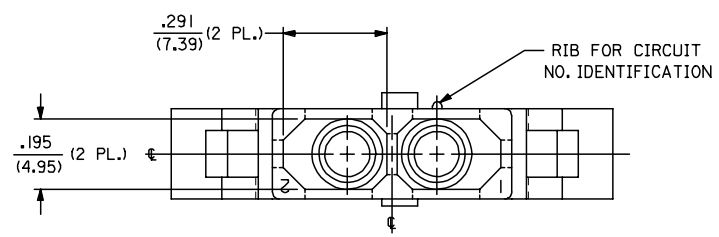
PLUG HOUSING

RELEASED FCC NO: UCP2007-2967 DRAWN/PRD/DR 2007/09/24 CHKD:LSH/MDT 2007/09/24 APPR:FSM/TH 2007/09/25 REV A	QUALITY SYMBOLS ▽=0 ▽=0	GENERAL TOLERANCES (UNLESS SPECIFIED)		DIMENSION STYLE IN/MM		SCALE 1:1	DESIGN UNITS INCH	THIRD ANGLE PROJECTION			
		4 PLACES ± --- ± --- 3 PLACES ± --- ± .010 2 PLACES ± 0.25 ± .014 1 PLACE ± 0.36 ± ---	mm INCH	DRAWN BY AELHAG	DATE 09/24/2007	TITLE .093/(2.36) HOUSING G.W. PLUG AND RECEPTACLE 2 CIRCUIT					
		ANGULAR ± 1 °		CHECKED BY SCHMIDT	DATE 09/24/2007	APPROVED BY FSMITH					
		DRAFT WHERE APPLICABLE MUST REMAIN WITHIN DIMENSIONS		SEE CHART		MATERIAL NO. SD-42191-002		DOCUMENT NO.		SHEET NO. 1 OF 3	

12 11 10 9 8 7 6 5 4 3 2 1

13 12 11 10 9 8 7 6 5 4 3 2 1

J
I
H
G
F
E
D
C
B
A



RECEPTACLE HOUSING

RELEASED FC NO: UCP2007-2967 DRAWN/PRD/DR 2007/09/24 CHKD:LSH/MT 2007/09/24 APPR:FSM/TH 2007/09/25 REV: A	DESCRIPTION QUALITY SYMBOLS $\nabla=0$ $\nabla=0$	GENERAL TOLERANCES (UNLESS SPECIFIED)		DIMENSION STYLE IN/MM		SCALE 1:1	DESIGN UNITS INCH	\odot \square THIRD ANGLE PROJECTION			
		4 PLACES \pm --- \pm ---	mm INCH	DRAWN BY AELHAG	DATE 09/24/2007	TITLE .093/(2.36) HOUSING G.W. PLUG AND RECEPTACLE 2 CIRCUIT					
		3 PLACES \pm --- \pm .010		CHECKED BY SCHMIDT	DATE 09/24/2007	MOLEX INCORPORATED					
		2 PLACES \pm 0.25 \pm .014		APPROVED BY FSMITH	DATE 09/24/2007	MATERIAL NO. SEE CHART		DOCUMENT NO. SD-42191-002	SHEET NO. 2 OF 3		
		1 PLACE \pm 0.36 \pm ---		ANGULAR \pm 1/2°		DRAFT WHERE APPLICABLE MUST REMAIN WITHIN DIMENSIONS					
THIS DRAWING CONTAINS INFORMATION THAT IS PROPRIETARY TO MOLEX INCORPORATED AND SHOULD NOT BE USED WITHOUT WRITTEN PERMISSION											

12 11 10 9 8 7 6 5 4 3 2 1

PLUG	
PART NO.	ENG. NO.
50-36-1688	42191-2P1-1

RECEPTACLE	
PART NO.	ENG. NO.
50-36-1687	42191-2R1-1

LEGEND: PLUG

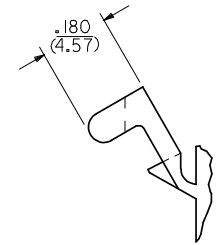
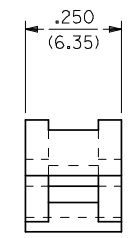
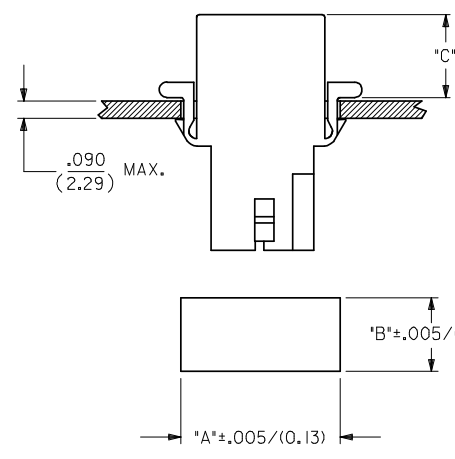
42 191- *P***

CIRCUIT SIZE
P = PLUG
BLANK = WITH PREBENT EARS
I = WITHOUT EARS
BLANK = BLACK COLOR
W = WHITE
MATERIAL:
1 = PA6 NYLON, UL94V-0

LEGEND: RECEPTACLE

42 191- *R***

CIRCUIT SIZE
R = RECEPTACLE
BLANK = WITH PREBENT EARS, POSITIVE LOCK
1 = WITHOUT EARS, POSITIVE LOCK
2 = WITH PREBENT EARS, PASSIVE LOCK
3 = WITHOUT EARS, PASSIVE LOCK
BLANK = BLACK COLOR
W = WHITE
MATERIAL:
1 = PA6 NYLON, UL94V-0



RECOMMENDED PANEL MOUNTING HOLE

HOUSING	DIM. "A"	DIM. "B"	DIM. "C"
PLUG	.831/(21.11)	.385/(9.78)	.44/(11.2)
RECEPTACLE	.831/(21.11)	.335/(8.51)	.46/(11.7)

DETAIL "A"
PREBENT MOUNTING EAR
SCALE 4:1

NOTES:

- MATERIAL: 1 = UL94V-0, PA6 NYLON, IEC 60335-1, 4TH EDITION, GLOW WIRE CAPABLE.
- FINISH: NONE.
- PRODUCT SPECIFICATION: NONE.
- PACKAGING INFORMATION: NONE.
- PART ACCEPTS DOUBLE WIRE CRIMPS OF 18 AWG MAXIMUM. EACH CIRCUIT WILL ALLOW ONE OF THE WIRES TO HAVE AN INSULATION THICKNESS OF .062/(1.57), THE OTHER HAVING AN INSULATION THICKNESS OF .031/(0.79).
- LOCK RAMP STYLE IS OPTIONAL ON THIS SIDE OF PART. CHOICE OF EITHER A POSITIVE LOCK RAMP OR A PASSIVE LOCK RAMP IS AVAILABLE.
- PARTS CONFORM TO CLASS 'B' REQUIREMENTS OF COSMETIC SPECIFICATION PS-45499-002 BUT, MEETS CLASS 'C' REQUIREMENTS FOR SINK AND DISCOLORATION.

CORRECT EDP NO'S EC NO: UCP2009-0468 DRWN: AELHAG 2008/08/22 CHKD: HKIPPER 2008/08/26 APPR: FSMITH 2008/08/27	QUALITY SYMBOLS ▽=0 ▽=0	GENERAL TOLERANCES (UNLESS SPECIFIED)		DIMENSION STYLE IN/MM		SCALE 1:1	DESIGN UNITS INCH	THIRD ANGLE PROJECTION		
		mm INCH		DRAWN BY AELHAG	DATE 09/24/2007	TITLE .093/(2.36) HOUSING, PLUG AND RECEPTACLE, 2 CIRCUIT				
		4 PLACES ± --- ± --- 3 PLACES ± --- ± .010 2 PLACES ± 0.25 ± .014 1 PLACE ± 0.36 ± ---		CHECKED BY LSCHMIDT	DATE 09/24/2007	MATERIAL NO. SD-42191-002				
		ANGULAR ± 1 °		APPROVED BY FSMITH	DATE 09/24/2007	DOCUMENT NO. SD-42191-002		SHEET NO. 3 OF 3		
DRAFT WHERE APPLICABLE MUST REMAIN WITHIN DIMENSIONS		SEE CHART		THIS DRAWING CONTAINS INFORMATION THAT IS PROPRIETARY TO MOLEX INCORPORATED AND SHOULD NOT BE USED WITHOUT WRITTEN PERMISSION						