

ABRIDGED DATA SHEET

silicon systems[®]
A TDK Group Company

SSI 73Q8330/8330A

Ethernet Coaxial Transceiver

SILICON SYSTEMS INC

DESCRIPTION

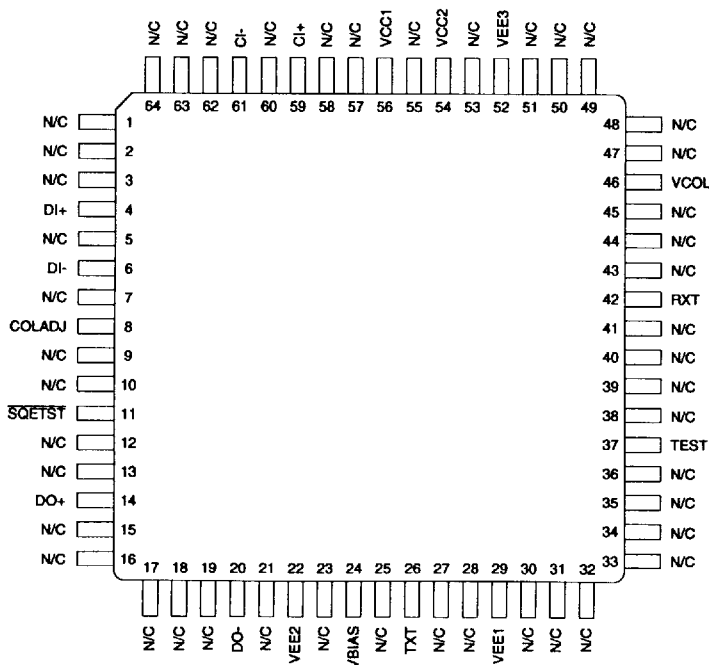
The SSI 78Q8330 and SSI 78Q8330A are line transceivers for IEEE 802.3 coaxial cable applications. The SSI 78Q8330 is compliant with thin cable (10Base2) requirements and compatible with thick cable (10Base5) operation. The SSI 78Q8330A is tested to be compliant with both 10Base2 and 10Base5 requirements.

These transceivers provide the interface between the single-ended coaxial cable signals and the Manchester-encoded differential logic signals. Primary functional blocks include the receiver, transmitter, collision detection and jabber timer. These ICs may be used in either internal or external MAU environments.

(continued)

FEATURES

- **SSI 78Q8330 compliant with 10Base2 and compatible with 10Base5 requirements**
- **SSI 78Q8330A compliant with both 10Base2 and 10Base5 requirements**
- **Innovative design minimizes power consumption - ideal for portable computer applications**
- **Integrated jabber timer function**
- **Minimal external component count**
- **For internal or external MAU applications**
- **Available in 20-pin PLCC, DIP, or 64-lead TQFP**

PIN DIAGRAM**64-Lead TQFP**

SSI 73Q8330/8330A

Ethernet Coaxial Transceiver

SILICON SYSTEMS INC

Note:

This is an abbreviated version of the actual data sheet. Please contact your local Silicon Systems' sales office or Silicon Systems' headquarters in Tustin for a complete, current data sheet.

DESCRIPTION (continued)

The SSI 78Q8330/8330A design is optimized for low power consumption. Typical supply current while transmitting is 96 mA, and only 56 mA when not transmitting. The low power consumption coupled with 20-pin PLCC or 64-lead TQFP packaging make this product ideal for portable computer applications.

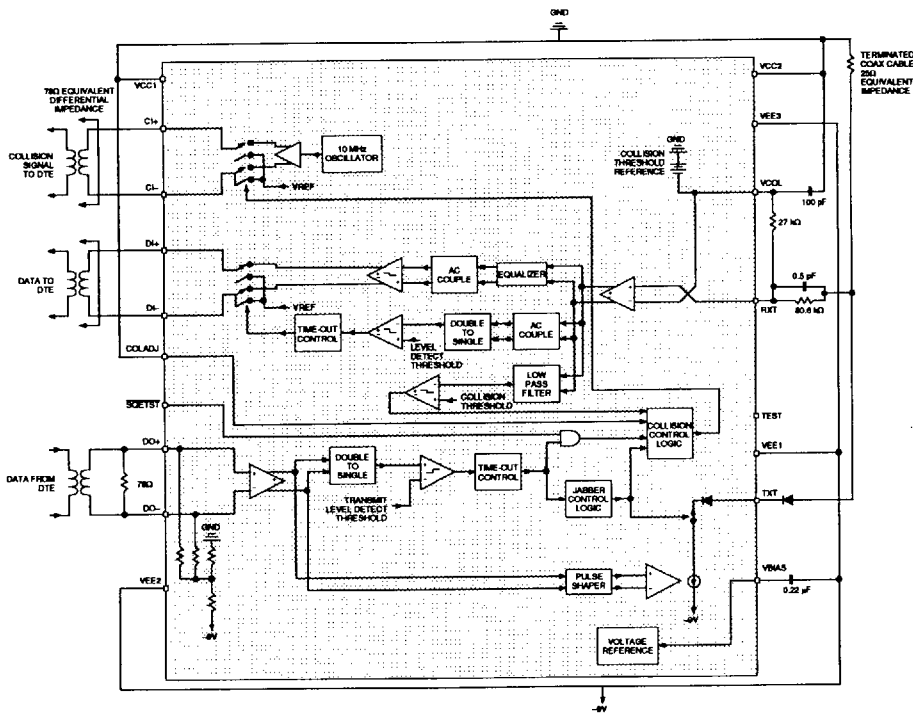


FIGURE 1: Functional Diagram

Preliminary Data: Indicates a product not completely released to production. The specifications are based on preliminary evaluations and are not guaranteed. Small quantities are available, and Silicon Systems should be consulted for current information.

No responsibility is assumed by Silicon Systems for use of this product nor for any infringements of patents and trademarks or other rights of third parties resulting from its use. No license is granted under any patents, patent rights or trademarks of Silicon Systems. Silicon Systems reserves the right to make changes in specifications at any time without notice. Accordingly, the reader is cautioned to verify that the data sheet is current before placing orders.

Silicon Systems, Inc., 14351 Myford Road, Tustin, CA 92680, (714) 731-7110, FAX: (714) 669-8814