

Visible Light Emitting Diode

Features:

- High Power Output
- Stand-off Type
- Narrow Beam Angle
- High Reliability

Applications:

- Optical Sensor
- Indicators

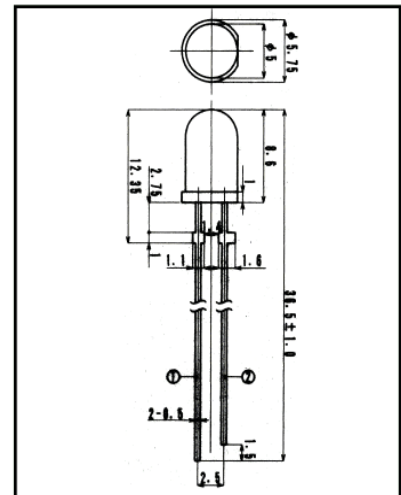


Absolute Maximum Ratings (Ta=25°C)

| Items | Symbol | Ratings | Unit |
|---------------------------|--------|------------|------|
| Forward Current (DC) | IF | 50 | mA |
| Forward Current (Pulse)*1 | IFP | 0.5 | A |
| Reverse Voltage | VR | 5 | V |
| Power Dissipation | PD | 120 | mW |
| Operating Temperature | Topr | -20 ~ +80 | °C |
| Storage Temperature | Tstg | -30 ~ +100 | °C |
| Junction Temperature | Tj | 100 | °C |
| Lead Soldering Temp*2 | Tls | 260 | °C |

*1: Tw=10μs, T=10ms

*2: Time 3 Sec max, Position: Up to 2mm from the body.



Dimensions(Unit:mm)

Electrical & Optical Characteristics (Ta = 25°C)

| Items | Symbol | Conditions | Min | Typ | Max | Unit |
|---------------------------|--------|------------|-----|------|-----|-------|
| Power Output | PO | IF=20mA | 5.0 | 6.5 | -- | mW |
| Luminous Intensity | Iv | IF=20mA | 600 | 1200 | -- | mcd |
| Forward Voltage | VF | IF=20mA | -- | 1.8 | 2.2 | V |
| Reverse Current | IR | VR=5V | -- | -- | 100 | μA |
| Peak Wavelength | λp | IF=20mA | -- | 660 | -- | nm |
| Spectral Line Half Width | Δλ | IF=20mA | -- | 25 | -- | nm |
| Half Intensity Beam Angle | θ | IF=20mA | -- | ±12 | -- | deg. |
| Rise Time | Tr | IFP=20mA | -- | 30 | -- | nS |
| Fall Time | Tf | IFP=20mA | -- | 30 | -- | nS |
| Junction Capacitance | Cj | 1MHz, V=0V | -- | 20 | -- | pF |
| Temp. Coefficient of Iv | I/T | IF=10mA | -- | -0.5 | -- | %/°C |
| Temp. Coefficient of VF | V/T | IF=10mA | -- | -1.5 | -- | mV/°C |

Graphs:

