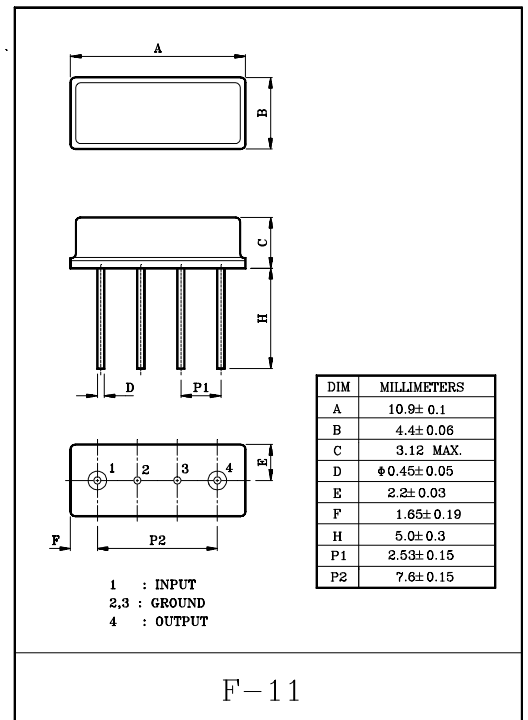


Band pass filters for the receiving RF circuits of pager

- High stability and reliability with good performance and no adjustment.
- Wide and sharp pass band characteristics.
- Low insertion loss and deep stop band attenuation for interference.
- Terminating Impedance :  $150\Omega//0\text{pF}$ .
- SMD Package Type : (SC-45)KF281S, (SC-44)KF281V.
- $50\Omega//0\text{pF}$  Terminating Impedance Type : KF280.

MAXIMUM RATINGS ( $T_a=25^\circ\text{C}$ )

ITEM	SYMBOL	RATING	UNIT
Input Signal Level	$IS_{\max}$	0	dBm
DC Permissive Voltage	$V_{DC}$	+10	V
Operating Temperature Range	$T_{opr}$	-10~+50	$^\circ\text{C}$
Storage Temperature Range	$T_{stg}$	-30~+85	$^\circ\text{C}$



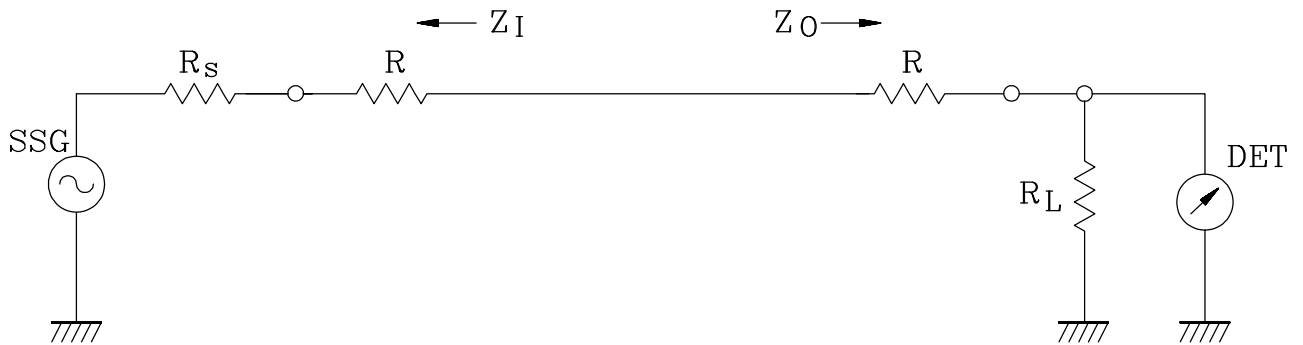
ELECTRICAL CHARACTERISTICS (Temperature  $20\pm 2^\circ\text{C}$ , Humidity  $65\pm 5\%$ )

ITEMS	SYMBOL	TEST CONDITION	MIN.	TYP.	MAX.	UNIT
Nominal Center Frequency	$f_0$	-	-	281	-	MHz
Bandwidth	$BW_{3dB}$	-	$f_0\pm 3.1$	-	-	MHz
Insertion Loss	$IL_{PASS}$	$f_0\pm 3.1\text{MHz}$	-	-	4.0	dB
Ripple Level	$A_{RIP}$	$f_0\pm 3.1\text{MHz}$	-	-	2.0	dB
Rejection Level	$IL_{STOP}$	$f_0-100\sim f_0-39.5\text{MHz}$	50	-	-	dB
		$f_0+39.5\sim f_0+100\text{MHz}$	50	-	-	dB
Input/Output Impedance	$Z_i(Z_o)$	-	-	$150\Omega//0\text{pF}$	-	-

# KF281

## TEST CIRCUIT

### REFERENCE LEVEL TEST CIRCUIT

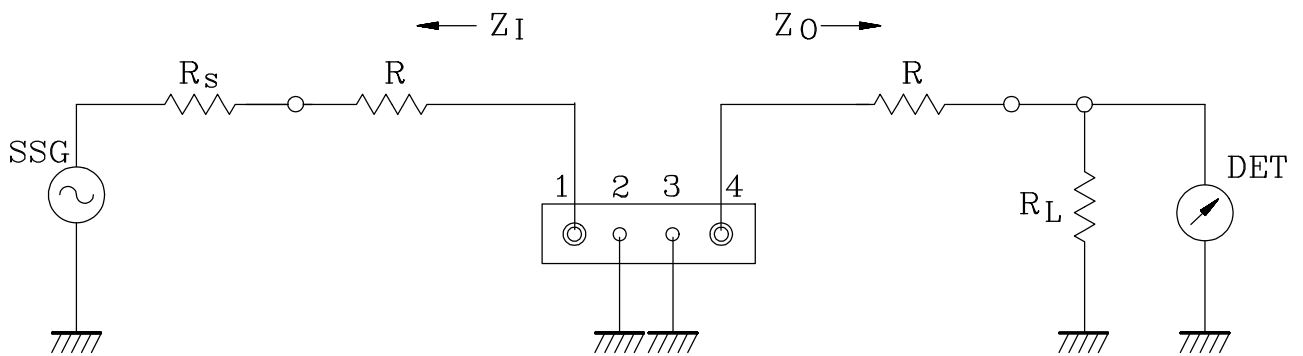


$R_s, R_L : 50\Omega$  (Internal Impedance of Source and Load)

$R : 100\Omega$

$Z_I(Z_O)=R_s(R_L)+R$

### MEASUREMENT CIRCUIT



1: Input

2,3: Ground

4: Output

$R_s, R_L : 50\Omega$  (Internal Impedance of Source and Load)

$R : 100\Omega$

$Z_I(Z_O)=R_s(R_L)+R$

# KF281

ATT - f

