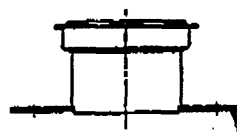
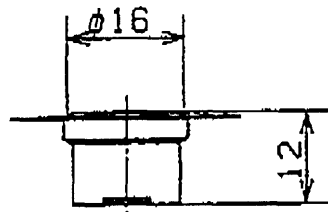
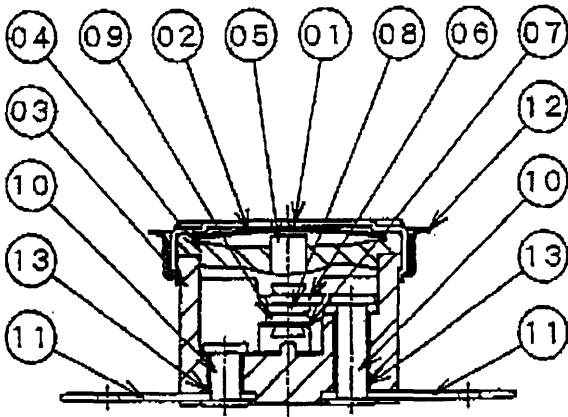


REFERENCE DRAWING



3/16" Quick connect



13	Sleeve	Copper
12	Bracket	Stainless steel
11	Terminal	Copper alloy
10	Rivet	Copper
09	Contact	Silver-Nickel alloy
08	Contact	Silver-Nickel alloy
07	Movable arm	Copper alloy
06	Stationary arm	Copper alloy
05	Pin	Ceramic
04	Retainer	Polyethylene sulfide
03	Case	Polyethylene sulfide
02	Bimetal	
01	Cap	Aluminum
No.	Name	Material

Check	Drawing	Indication
		Tolerance Project
		±0.5 3rd
		NIPPON

5	
	ification
	No.

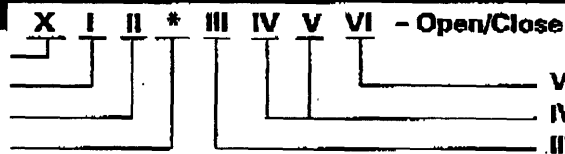
1073



# Thermostat Part Number Key/Variation Chart

## Our Designation of Type-Code

**X** = Type No., Basic Models  
**I** = Electrical Rating & Contact Point  
**II** = Switch Action on Temperature Rise  
**\*** = Body Material (Automatic Only, 1.Phenolic 2.Ceramic)



**VI** = Bracket, Mounting Arrangement  
**IV + V** = Terminals  
**III** = Sensing Cap

<b>N</b>	AC 120V/AC 240V 15A/10A	: Standard Contact Point
<b>S</b>	AC 120V/AC 250V 6A/3A	: For Short Body
<b>X</b>	AC 120V/DC 30V 10M-1A	: Cross-Bar Contact Point
<b>P</b>	AC 120V/DC 6-30V 10M-100mA	: Cross-Bar Contact Point

<b>1</b>	Open on rise (operation type A)
<b>3</b>	Close on rise (operation type B)
<b>4</b>	Open on rise: one time operation

<b>0, 1, 4, T, W</b>	Aluminum	No. 0	No. 1,2,3	No. 4,5	No. 6	No. 7	No. A	No. P	No. S	No. T,U,V	No. W
<b>2, 7, S, U</b>	Copper Alloy										
<b>3, 5, 6, A, P, V</b>	Stainless Steel										
<b>0, 1, 2, 3, A, P, W</b>	Fits w/Bracket #...										
<b>0</b>	Open Cap										
<b>T, U, V</b>	Close On Rise (Operation Type B)										
<b>S</b>	Screw Threads (6-32, 8-32UNC)										
<b>7, P</b>	Tube Mounting										
		<b>No. 0+5 Fixed Bracket</b>					<b>No. 1+5, 2+5, 3+5 Fixed Brackets</b>				

<b>No. 01 Solder</b>	<b>No. 02 Solder</b>	<b>No. 05 .187 Quick Connect</b>	<b>No. 06/10 .187 Quick Connect</b>	<b>No. 07 Strap</b>
<b>No. 08 Weld</b>	<b>No. 11 Strap</b>	<b>No. 12 Crimp</b>	<b>No. 14 .187 Quick Connect</b>	<b>No. 27 Tube</b>
<b>No. 28 Strap</b>	<b>No. 36 .187 Quick Connect</b>	<b>No. 43 .250 Quick Connect</b>	<b>No. 44 .250 Quick Connect</b>	

<b>0</b>	No Bracket				
<b>B, E, H</b>	Fixed Bracket	<b>No. 1</b>	<b>No. 2</b>	<b>No. 3</b>	<b>No. 4</b>
<b>1, 2, 3, 4, A</b>	Loose Bracket				
<b>E, A (With Spring)</b>	Tube Mounting				
		<b>No. A</b>	<b>No. B</b> (Fits with Cap A)	<b>No. E</b> (Fits with Cap P)	<b>No. H</b> (Fits with Cap W)

**MICROTHERM LIMITED**

Merrow Business Centre Merrow Lane Guildford Surrey GU4 7WA  
 Telephone: +44 (0)1483 450100 Facsimile: +44 (0)1483 451816  
 Email: office@microtherm.co.uk Web: www.microtherm.co.uk