

PLEASE CHECK WWW.MOLEX.COM FOR LATEST PART INFORMATION

Part Number: [0022552463](#)
Status: **Active**
Overview: [cgrid_sl_products](#)
Description: 2.54mm (.100") Pitch SL™ Crimp Housing, Dual Row, Version C, Back Ribs, 46 Circuits

Documents:

| | |
|---|--|
| 3D Model | Product Specification PS-70058 (PDF) |
| Packaging Specification (PDF) | Product Specification PS-70400 (PDF) |
| Drawing (PDF) | RoHS Certificate of Compliance (PDF) |

Agency Certification

| | |
|-----|---------|
| CSA | LR19980 |
| UL | E29179 |

General

| | |
|----------------|-----------------------------------|
| Product Family | Crimp Housings |
| Series | 70450 |
| Comments | Version C |
| Overview | cgrid_sl_products |
| Product Name | SL™ |

Physical

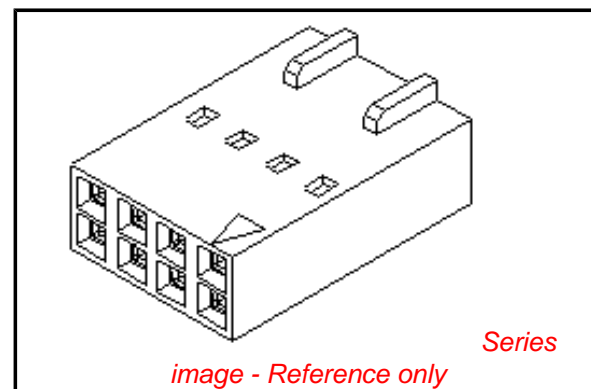
| | |
|-------------------------------|-----------------|
| Breakaway | No |
| Circuits (maximum) | 46 |
| Color - Resin | Black |
| Flammability | 94V-0 |
| Gender | Female |
| Glow-Wire Compliant | No |
| Material - Resin | Polyester |
| Number of Rows | 2 |
| Packaging Type | Bag |
| Panel Mount | No |
| Pitch - Mating Interface (in) | 0.100 In |
| Pitch - Mating Interface (mm) | 2.54 mm |
| Stackable | Yes |
| Temperature Range - Operating | -40°C to +105°C |

Material Info

| | |
|-----------------|------------|
| Old Part Number | 70450-0121 |
|-----------------|------------|

Reference - Drawing Numbers

| | |
|-------------------------|--------------------|
| Packaging Specification | PK-70450-100 |
| Product Specification | PS-70058, PS-70400 |
| Sales Drawing | SD-70450-0100-0125 |
| Test Summary | TS-70058-001 |



EU RoHS

ELV and RoHS Compliant
REACH SVHC
 Not Reviewed
Halogen-Free Status
 Not Reviewed

China RoHS



Need more information on product environmental compliance?

Email productcompliance@molex.com
 For a multiple part number RoHS Certificate of Compliance, [click here](#)

Please visit the [Contact Us](#) section for any non-product compliance questions.

Search Parts in this Series

[70450Series](#)

Mates With

[70013](#) , [70022](#)

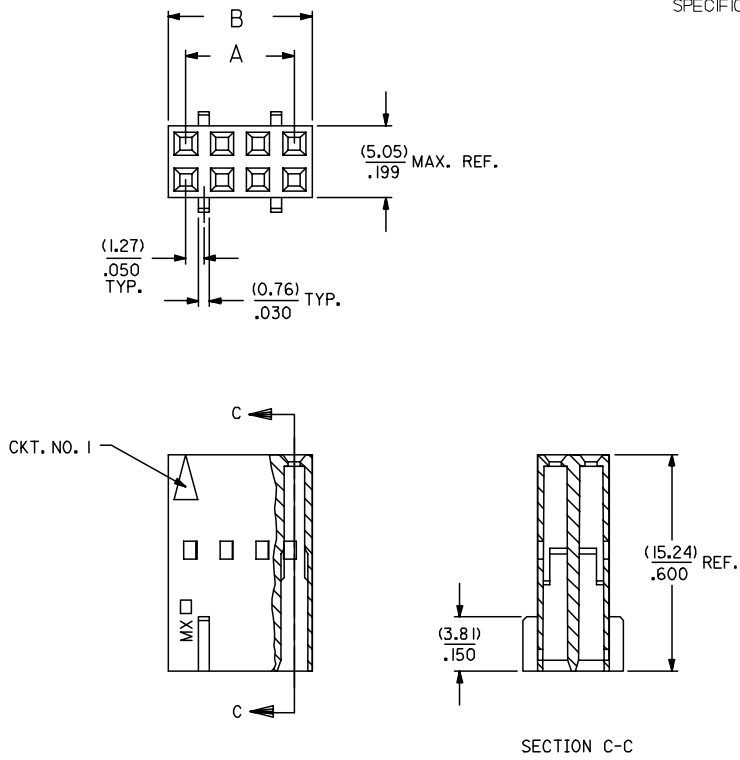
Use With

[70021](#) , [70058](#) , [71851](#)

NOTES:

- 1) MATERIAL: G.F. POLYESTER
- 2) HOUSING TO BE USED WITH TERMINALS
PT. NO. 70058-**** & 70028-****
- 3) TO BE USED WITH (0.64)/.025 SQ. OR RD. PINS.
- 4) REFER TO PRODUCT SPECIFICATION PS-70058.
- 5) PACKAGE PER PK-70450-100.
- 6) PARTS CONFORM TO CLASS C OF COSMETIC
SPECIFICATION PS-45499-002.

-OPTION "C"-



| CKT. SIZE | EDP. NO. | ENG. NO. | A | B |
|-----------|-------------|------------|------------------|------------------|
| 4 | 022-55-2043 | 70450-0100 | (2.54) .100 | (5.05) .199 |
| 6 | 022-55-2063 | 70450-0101 | (5.08) .200 | (7.59) .299 |
| 8 | 022-55-2083 | 70450-0102 | (7.62) .300 | (10.13) .399 |
| 10 | 022-55-2103 | 70450-0103 | (10.16) .400 | (12.67) .499 |
| 12 | 022-55-2123 | 70450-0104 | (12.70) .500 | (15.21) .599 |
| 14 | 022-55-2143 | 70450-0105 | (15.24) .600 | (17.75) .699 |
| 16 | 022-55-2163 | 70450-0106 | (17.78) .700 | (20.29) .799 |
| 18 | 022-55-2183 | 70450-0107 | (20.32) .800 | (22.83) .899 |
| 20 | 022-55-2203 | 70450-0108 | (22.86) .900 | (25.37) .999 |
| 22 | 022-55-2223 | 70450-0109 | (25.40) 1.000 | (27.91) 1.099 |
| 24 | 022-55-2243 | 70450-0110 | (27.94) 1.100 | (30.45) 1.199 |
| 26 | 022-55-2263 | 70450-0111 | (30.48) 1.200 | (32.99) 1.299 |
| 28 | 022-55-2283 | 70450-0112 | (33.02) 1.300 | (35.53) 1.399 |
| 30 | 022-55-2303 | 70450-0113 | (35.56) 1.400 | (38.07) 1.499 |
| 32 | 022-55-2323 | 70450-0114 | (38.10) 1.500 | (40.61) 1.599 |
| 34 | 022-55-2343 | 70450-0115 | (40.64) 1.600 | (43.15) 1.699 |
| 36 | 022-55-2363 | 70450-0116 | (43.18) 1.700 | (45.69) 1.799 |
| 38 | 022-55-2383 | 70450-0117 | (45.72) 1.800 | (48.23) 1.899 |
| 40 | 022-55-2403 | 70450-0118 | (48.26) 1.900 | (50.77) 1.999 |
| 42 | 022-55-2423 | 70450-0119 | (50.80) 2.000 | (53.31) 2.099 |
| 44 | 022-55-2443 | 70450-0120 | (53.34) 2.100 | (55.85) 2.199 |
| 46 | 022-55-2463 | 70450-0121 | (55.88) 2.200 | (58.39) 2.299 |
| 48 | 022-55-2483 | 70450-0122 | (58.42) 2.300 | (60.93) 2.399 |
| 50 | 022-55-2503 | 70450-0123 | (60.96) 2.400 | (63.47) 2.499 |
| 52 | NOT TOOLED | 70450-0124 | (63.50) 2.500 | (66.01) 2.599 |
| 54 | NOT TOOLED | 70450-0125 | (66.04) 2.600 | (68.55) 2.699 |

| | | | | | | | |
|---|-------------------------------|--|--|--|--------------|----------------------|------------------------|
| ADD COSMETIC SPEC FCC NO: UCP2007-2009 DRAWN: JORGAN 2007/02/23 CHKD: MS BARRA 2007/02/23 APPR: SMILLER 2007/02/27 REVISIONS 1 2 | QUALITY SYMBOLS ▽=0 ▽=0 | GENERAL TOLERANCES (UNLESS SPECIFIED) mm INCH 4 PLACES ± --- ± --- 3 PLACES ± --- ± .010 2 PLACES ± 0.25 ± .014 1 PLACE ± 0.35 ± --- ANGULAR ±1/2° | | DIMENSION STYLE MM/IN | SCALE 4:1 | DESIGN UNITS INCH | THIRD ANGLE PROJECTION |
| | | DRAWN BY MJM | DATE 1986/10/22 | TITLE HOUSING - CONNECTOR DUAL ROW (2.54)/.100 GRID WITH RIBS | | | |
| | | CHECKED BY MJM | DATE 1986/10/22 | MATERIAL NO. SEE CHART | | | |
| | | APPROVED BY WAZ | DATE 1986/10/22 | DOCUMENT NO. SD-70450-0100-0125 | | | |
| DRAFT WHERE APPLICABLE MUST REMAIN WITHIN DIMENSIONS | | SIZE C | THIS DRAWING CONTAINS INFORMATION THAT IS PROPRIETARY TO MOLEX INCORPORATED AND SHOULD NOT BE USED WITHOUT WRITTEN PERMISSION | | | SHEET NO. 1 OF 1 | |