

3.5 GHz InGaP HBT 5W Linear Power Amplifier

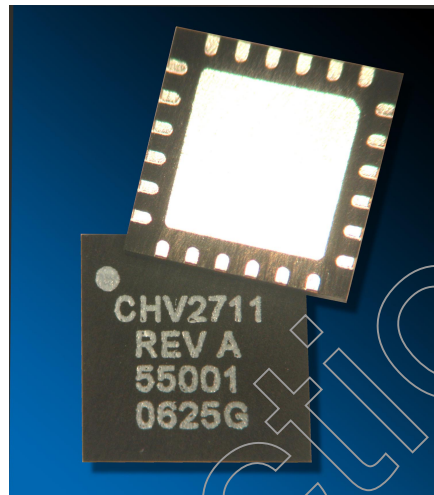
Mimix
BROADBAND™

October 2006 - Rev 26-Oct-06

CHV2711-QJ
RoHS

Features

- ✕ Internal Pre-matching
- ✕ Single Supply operation
- ✕ Power Gain 8 dB
- ✕ ESD Protection on board
- ✕ Current Control for multiple applications
- ✕ 2.5% EVM @ 26.5 dBm avg power, 802.16 OFDM signal format, PAR = 9 dB
- ✕ Plastic Surface mount packaging
- ✕ Low Thermal Resistance
- ✕ Ideal for WiMAX applications
- ✕ Lead Free and RoHS compliant 6x6 QFN package



General Description

The CHV2711 internally pre-matched power HBT device provides 8 dB of gain, 2.5% EVM at 26.5 dBm output power for 802.16 OFDM signal with a peak to average power ratio of 9 dB. The device operates off a single supply voltage up to 12V and includes internal bias circuitry to enable exact setting of the quiescent current using an external Vcontrol. This Vcontrol is non-unique voltage setting and the same value can be used for each part depending on the required Icq. The device is ideal for high linearity, high data rate applications such as WiMAX. Internal pre-matching facilitates a simplified external matching approach and the highest in-band gain potential of the device. The device operates with unique matching at each of the popular WiMAX bands with the inherent repeatability of an InGaP HBT process.

Absolute Maximum Ratings

Voltage Supply (Vcc)	4.5 (min) / 12 V (max)
Current (Icc)	2000 mA
Dissipated Power (Pdiss)	18W
Input Power (Pin)	22 dBm
Storage Temperature (Tstg)	-60 to +150 °C
Channel Temperature (Tch)	175 °C
Thermal Resistance (Rth)	5 °C/W
Operating Backside Temperature (Tb)	-40 °C to (see note 1)

Operation outside any of these limits can cause permanent damage.
(1) Calculate maximum operating temperature Tmax using the following formula: $T_{max} = 175 - (P_{diss} [W] \times 5) [C]$.

Electrical Characteristics (Ambient Temperature T = 25 °C, Vcc = 12V)¹

Parameter	Units	Min.	Typ.	Max.
Operating Frequency (f)	MHz	3.4	3.5	3.6
Quiescent Current (Icq) ²	mA	-	730	760
Power Gain @ Pout = 26.5 dBm (Gps)	dB	-	8	-
Current @ 26.5 dBm (Icc)	mA	-	750	780
Output Power @ EVM = 2.5% (Pout) ³	dBm	26.5	-	-
Adjacent Channel Power Ratio @ Pout=26.5 dBm (ACPR) ⁴	dBc	-	-45	-
Input Reflection Coefficient (S11)	dB		-10	
Noise Figure (NF)	dB		5	

1. Data measured in a Mimix matched connectorized fixture.
2. Quiescent current depends on Vcc and measured @ Pout = 30 dBm
3. Using an 802.16d OFDM signal format with PAR=9 dB
4. Using 3 GPP WCDMA signal, PAR = 9.17 dB

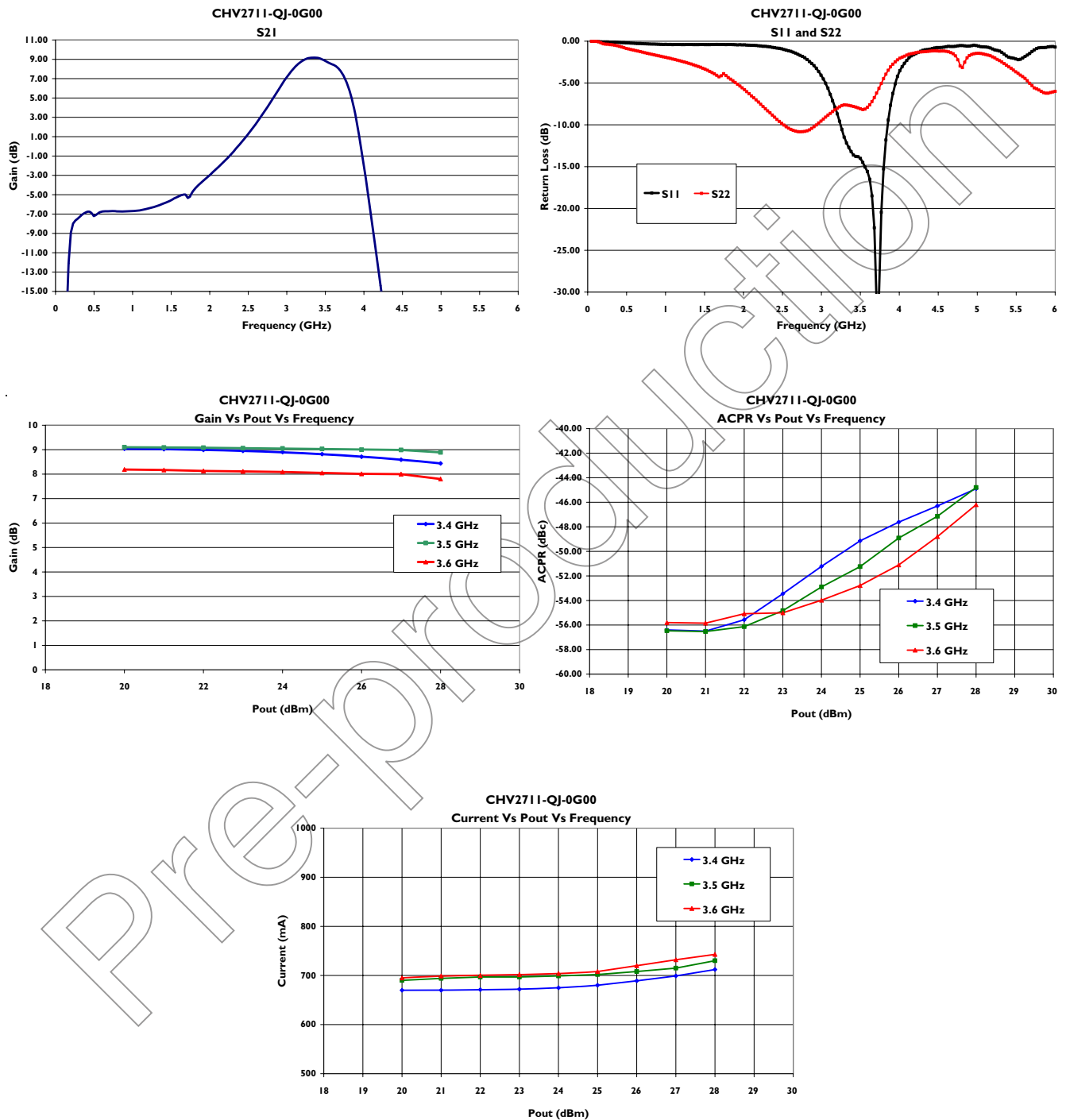
3.5 GHz InGaP HBT 5W Linear Power Amplifier



October 2006 - Rev 26-Oct-06

CHV2711-QJ
RoHS

Typical Performance: (802.16 OFDM signal, PAR = 9 dB, Vcc = 12V, Vcontrol = 8V, Icc = 736mA)



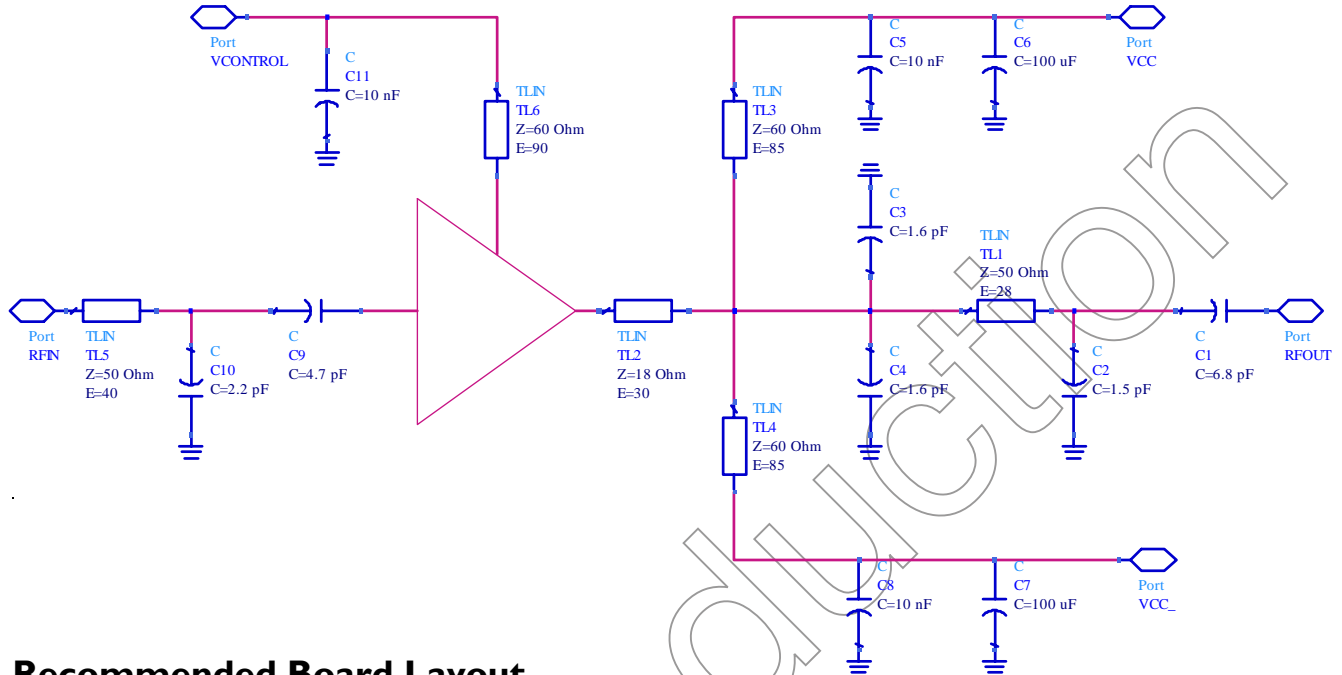
3.5 GHz InGaP HBT 5W Linear Power Amplifier

Mimix
BROADBAND™

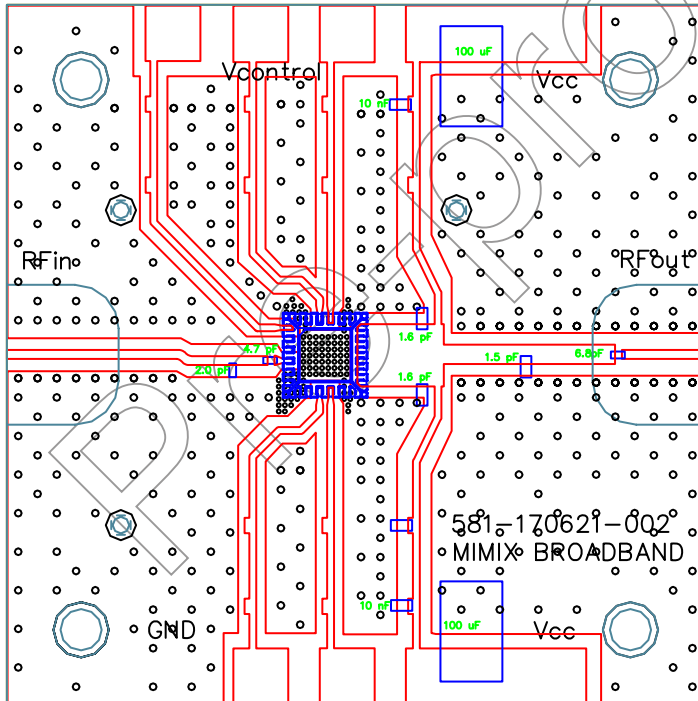
October 2006 - Rev 26-Oct-06

CHV2711-QJ
RoHS

Recommended Board Schematic



Recommended Board Layout



12 mil RO4003

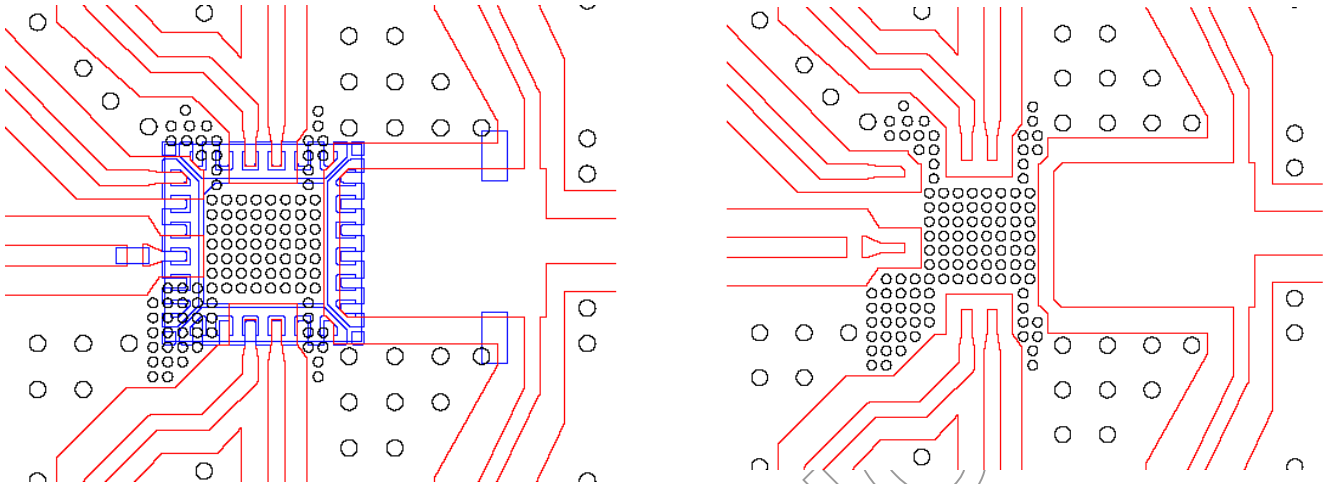
3.5 GHz InGaP HBT 5W Linear Power Amplifier



October 2006 - Rev 26-Oct-06

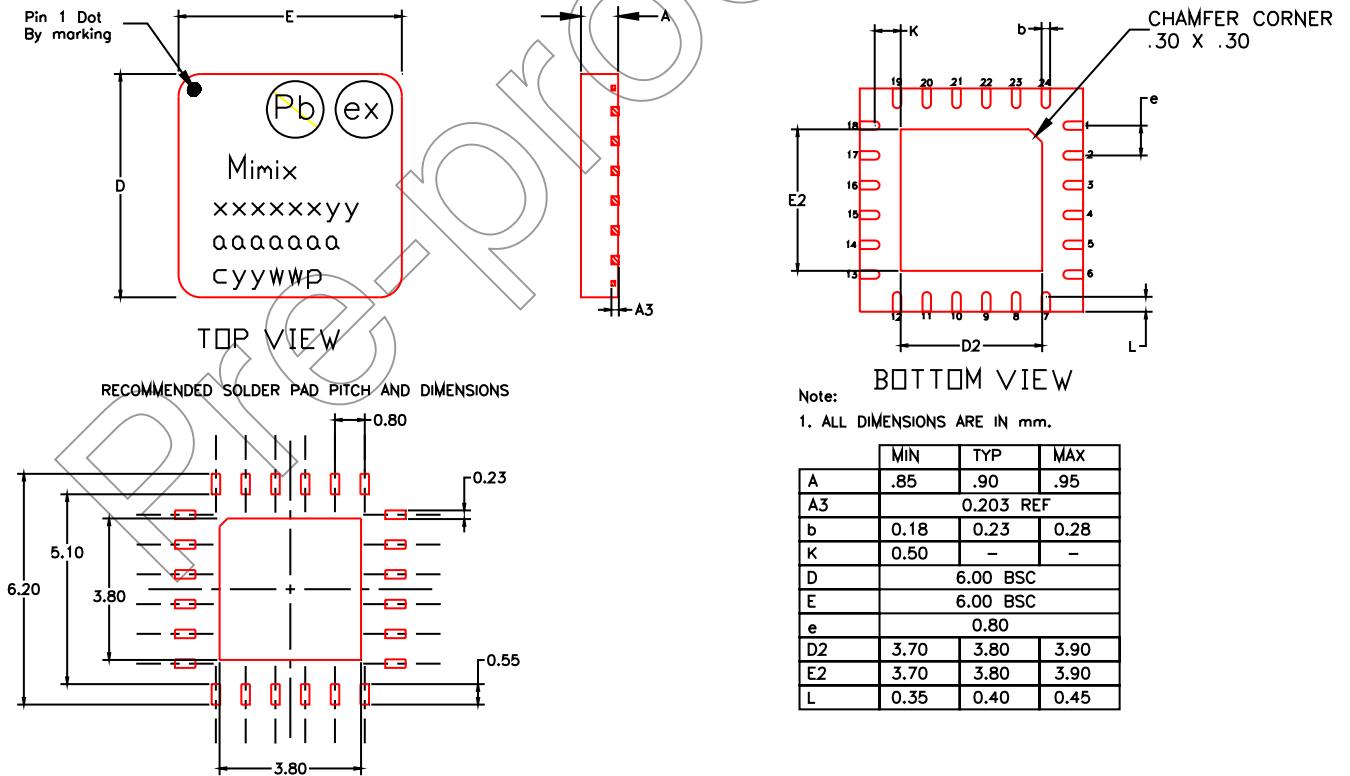
CHV2711-QJ
RoHS

Recommended Board Layout:



We recommend that all N/C pins be grounded and sufficient number of vias to be present under the ground plane to insure good RF and thermal grounding. Pins 13 and 18 are connected to the RFout trace.

Physical Dimensions:

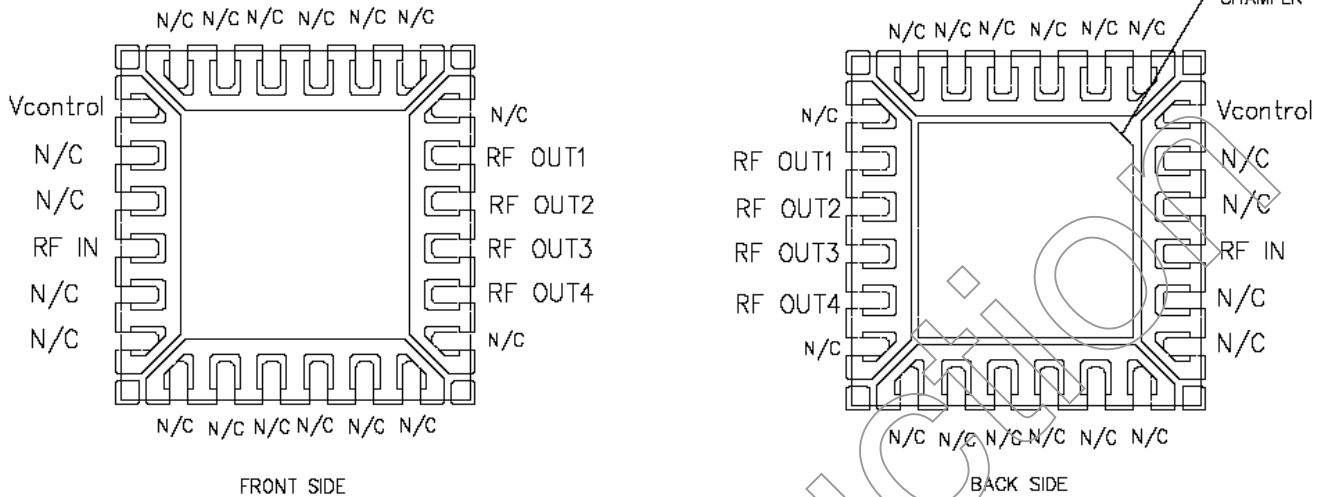


3.5 GHz InGaP HBT 5W Linear Power Amplifier

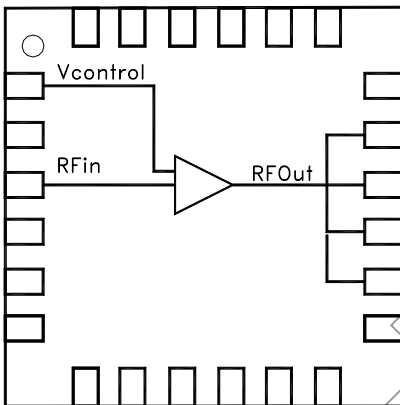
October 2006 - Rev 26-Oct-06

CHV2711-QJ
RoHS

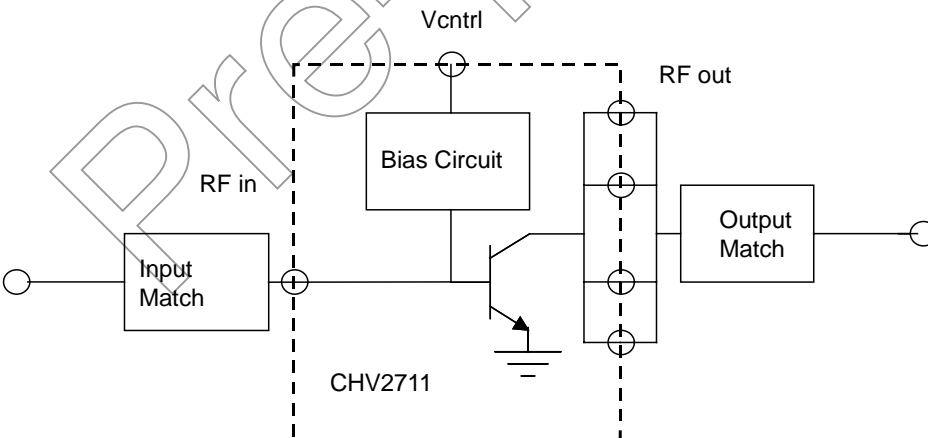
Pin Assignment:



Functional Block Diagram:



Pin #	Description
1	Vcontrol
4	RF IN
14	RF OUT 4
15	RF OUT 3
16	RF OUT 2
17	RF OUT 1
2, 3, 5, 6, 7, 8, 9, 10, 11, 12, 13, 18, 19, 20, 21, 22, 23, 24	N/C



* Backside of Package is emitter gnded

3.5 GHz InGaP HBT 5W Linear Power Amplifier

Mimix
BROADBAND™

October 2006 - Rev 26-Oct-06

CHV2711-QJ
RoHS

Handling and Assembly Information

CAUTION! - Mimix Broadband MMIC Products contain gallium arsenide (GaAs) which can be hazardous to the human body and the environment. For safety, observe the following procedures:

- Do not ingest.
- Do not alter the form of this product into a gas, powder, or liquid through burning, crushing, or chemical processing as these by-products are dangerous to the human body if inhaled, ingested, or swallowed.
- Observe government laws and company regulations when discarding this product. This product must be discarded in accordance with methods specified by applicable hazardous waste procedures.

Life Support Policy - Mimix Broadband's products are not authorized for use as critical components in life support devices or systems without the express written approval of the President and General Counsel of Mimix Broadband. As used herein: (1) Life support devices or systems are devices or systems which, (a) are intended for surgical implant into the body, or (b) support or sustain life, and whose failure to perform when properly used in accordance with instructions for use provided in the labeling, can be reasonably expected to result in a significant injury to the user. (2) A critical component is any component of a life support device or system whose failure to perform can be reasonably expected to cause the failure of the life support device or system, or to affect its safety or effectiveness.

Package Attachment - This packaged product from Mimix Broadband is provided as a rugged surface mount package compatible with high volume solder installation. Care should be taken not to apply heavy pressure to the top or base material to avoid package damage. Vacuum tools or other suitable pick and place equipment may be used to pick and place this part. Care should be taken to ensure that there are no voids or gaps in the solder connection so that good RF, DC and ground connections are maintained. Voids or gaps can eventually lead not only to RF performance degradation, but reduced reliability and life of the product due to thermal stress.

Mimix Lead-Free RoHS Compliant Program - Mimix has an active program in place to meet customer and governmental requirements for eliminating lead (Pb) and other environmentally hazardous materials from our products. All Mimix RoHS compliant components are form, fit and functional replacements for their non-RoHS equivalents. Lead plating of our RoHS compliant parts is 100% matt tin (Sn) over copper alloy and is backwards compatible with current standard SnPb low-temperature reflow processes as well as higher temperature (260°C reflow) "Pb Free" processes.

Ordering Information

Part Number for Ordering	Package
CHV2711-QJ-0G00	Matte Tin plated RoHS compliant 6X6 QFN surface mount package in bulk
CHV2711-QJ-0G0T	Matte Tin Plated RoHS compliant 6X6 QFN surface mount package in tape and reel
PB-CHV2711-0000	Evaluation Board with SMA connectors

We also offer the plastic package with SnPb (Tin-Lead) or NiPdAu plating. Please contact your regional sales manager for more information regarding different plating types.