



# USB On-the-Go Charge Pump with Switchable Pullup/Pulldown Resistors

## General Description

The MAX3353E I<sup>2</sup>C™-compatible USB On-The-Go (OTG) regulated charge pump with switchable pullup/pulldown resistors allows peripherals and mobile devices such as PDAs, cellular phones, and digital cameras to be interconnected without a host PC.

The MAX3353E enables a system with an integrated USB dual-role transceiver to function as a USB OTG dual-role device. The charge pump in the MAX3353E supplies V<sub>BUS</sub> power and signaling that is required by the transceiver as defined in *On-The-Go Supplement: USB 2.0, Revision 1.0*. The MAX3353E provides the switchable pullup and pulldown resistors on D+ and D- required for a dual-role device.

The MAX3353E integrates a regulated charge pump, switchable pullup/pulldown resistors, and an I<sup>2</sup>C-compatible 2-wire serial interface. The device provides a detector to monitor ID status and operates with logic supply voltages (V<sub>L</sub>) between +1.65V and V<sub>CC</sub> and charge-pump supply voltages (V<sub>CC</sub>) from +2.6V to +5.5V. The charge pump supplies an OTG-compatible output on V<sub>BUS</sub> while sourcing 8mA output current.

The MAX3353E enables USB OTG communication between digital logic parts that cannot supply or tolerate the +5V V<sub>BUS</sub> levels that USB OTG requires. By controlling and measuring V<sub>BUS</sub> using internal comparators, this device supports USB OTG session request protocol (SRP) and host negotiation protocol (HNP).

The MAX3353E has built-in ±15kV ESD protection circuitry to guard V<sub>BUS</sub>, ID\_IN, D+, and D-. The MAX3353E is available in a 5 x 4 chip-scale package (UCSP™) and 16-pin TSSOP package.

## Applications

Mobile Phones  
PDAs  
Digital Cameras  
MP3 Players  
Photo Printers

**Pin Configurations appear at end of data sheet.**

**Typical Applications Circuit appears at end of data sheet.**

UCSP is a trademark of Maxim Integrated Products, Inc.

Purchase of I<sup>2</sup>C components from Maxim Integrated Products, Inc., or one of its sublicensed Associated Companies, conveys a license under the Philips I<sup>2</sup>C Patent Rights to use these components in an I<sup>2</sup>C system, provided that the system conforms to the I<sup>2</sup>C Standard Specification as defined by Philips.

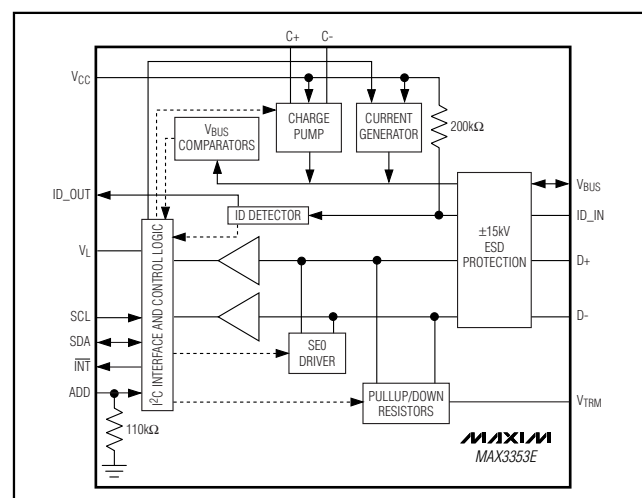
## Features

- ◆ Ideal for Enabling USB Dual-Role Components for USB OTG Protocol
- ◆ Charge Pump for V<sub>BUS</sub> Signaling and Operation Down to +2.6V
- ◆ Level Translators Allow Low-Voltage System Interface
- ◆ Internal V<sub>BUS</sub> Comparators and ID Detector
- ◆ Internal Switchable Pullup and Pulldown Resistors for Host/Peripheral Functionality
- ◆ I<sup>2</sup>C-Compatible Bus Interface with Command and Status Registers
- ◆ Interrupt Features
- ◆ ±15kV ESD Protection on ID\_IN, V<sub>BUS</sub>, D+, and D-
- ◆ Supports SRP and HNP
- ◆ Available in 5 x 4 UCSP and 16-Pin TSSOP

## Ordering Information

PART	TEMP RANGE	PIN-PACKAGE	PKG CODE
MAX3353EEUE	-40°C to +85°C	16 TSSOP	—
MAX3353EEBP-T	-40°C to +85°C	5 x 4 UCSP	B20-4

## Functional Diagram



# USB On-the-Go Charge Pump with Switchable Pullup/Pulldown Resistors

## ABSOLUTE MAXIMUM RATINGS

(All voltages referenced to GND.)

V <sub>CC</sub> , V <sub>L</sub> , V <sub>TRM</sub> .....	-0.3V to +6V
D+, D-, ID_IN (Note 1) .....	-0.3V to +6V
V <sub>BUS</sub> (Notes 1, 2) .....	-0.3V to +6V
C+ .....	(V <sub>CC</sub> - 0.3V) to +6V
C- .....	-0.3V to (V <sub>CC</sub> + 0.3V)
$\overline{\text{INT}}$ , ID_OUT .....	-0.3V to (V <sub>L</sub> + 0.3V)
SDA, SCL, ADD .....	-0.3V to +6V
V <sub>BUS</sub> Output Short Circuit to Ground .....	Continuous
Output Current (all other pins) .....	±15mA

Continuous Power Dissipation (T<sub>A</sub> = +70°C)

16-Pin TSSOP (derate 9.4mW/°C above +70°C) .....	755mW
5 x 4 UCSP (derate 7.8mW/°C above +70°C) .....	625mW
Operating Temperature Range .....	-40°C to +85°C
Storage Temperature Range .....	-65°C to +150°C
Junction Temperature .....	+150°C
Lead Temperature (soldering 10s) .....	+300°C
Bump Temperature (soldering)	
Infrared (15s) .....	+200°C
Vapor Phase (20s) .....	+215°C

**Note 1:** 15kV ESD protected.

**Note 2:** V<sub>BUS</sub> can be backdriven to +6V.

Stresses beyond those listed under "Absolute Maximum Ratings" may cause permanent damage to the device. These are stress ratings only, and functional operation of the device at these or any other conditions beyond those indicated in the operational sections of the specifications is not implied. Exposure to absolute maximum rating conditions for extended periods may affect device reliability.

## ELECTRICAL CHARACTERISTICS

(V<sub>CC</sub> = +2.6V to +5.5V, V<sub>L</sub> = +1.65V to V<sub>CC</sub>, V<sub>TRM</sub> = +3V to +3.6V, C<sub>FLYING</sub> = 0.1μF, V<sub>CC</sub> decoupled with 1μF capacitor to ground; V<sub>TRM</sub> and V<sub>L</sub> decoupled with 0.1μF capacitor to ground; C<sub>VBUS</sub> = 1μF (min), T<sub>A</sub> = T<sub>MIN</sub> to T<sub>MAX</sub>, unless otherwise noted. Typical values are at V<sub>CC</sub> = +4V, V<sub>L</sub> = +1.8V, V<sub>TRM</sub> = +3.3V, and T<sub>A</sub> = +25°C.) (Notes 3, 4)

PARAMETER	SYMBOL	CONDITION	MIN	TYP	MAX	UNITS
Supply Voltage	V <sub>CC</sub>		2.6		5.5	V
Logic Supply Voltage	V <sub>L</sub>		1.65		V <sub>CC</sub>	V
V <sub>TRM</sub> Supply Voltage	V <sub>TRM</sub>		3.0		3.6	V
V <sub>CC</sub> Operating Supply Current	I <sub>CC</sub>	ID_IN floating, V <sub>BUS_CHG1</sub> = 0, V <sub>BUS_CHG2</sub> = 0, V <sub>BUS_DRV</sub> = 0, BDISC_ACONN = 0		73	100	μA
		V <sub>BUS_DRV</sub> = 1, V <sub>BUS_CHG1</sub> = 0, V <sub>BUS_CHG2</sub> = 0, I <sub>VBUS</sub> = 8mA		18	25	mA
V <sub>CC</sub> Shutdown Supply Current	I <sub>CC(SHDN)</sub>	No activity on I <sup>2</sup> C serial bus		0.4	2	μA
V <sub>TRM</sub> Supply Current	I <sub>VTRM</sub>	DP_PULLDWN = 1, DP_PULLUP = 0, DM_PULLDWN = 1, DM_PULLUP = 0 no activity on USB serial bus			1	μA
V <sub>L</sub> Input Current	I <sub>VL</sub>	No activity on I <sup>2</sup> C serial bus			1	μA
ID_OUT, $\overline{\text{INT}}$ Output Voltage High	V <sub>OH</sub>	$\overline{\text{INT}}$ configured to push/pull; source current I <sub>LOAD</sub> = +1mA	V <sub>L</sub> - 0.4			V
SDA, $\overline{\text{INT}}$ , ID_OUT Output Voltage Low	V <sub>OL</sub>	Sink current I <sub>LOAD</sub> = -1mA			0.4	V
SDA, SCL, ADD Input Voltage High	V <sub>IH</sub>		0.67 × V <sub>L</sub>			V
SDA, SCL, ADD Input Voltage Low	V <sub>IL</sub>				0.4	V
Input/Three-State Output Leakage Current (SDA, SCL, $\overline{\text{INT}}$ )		$\overline{\text{INT}}$ configured to open drain			±1	μA

# USB On-the-Go Charge Pump with Switchable Pullup/Pulldown Resistors

MAX3353E

## ELECTRICAL CHARACTERISTICS (continued)

(V<sub>CC</sub> = +2.6V to +5.5V, V<sub>L</sub> = +1.65V to V<sub>CC</sub>, V<sub>TRM</sub> = +3V to +3.6V, C<sub>FLYING</sub> = 0.1μF, V<sub>CC</sub> decoupled with 1μF capacitor to ground; V<sub>TRM</sub> and V<sub>L</sub> decoupled with 0.1μF capacitor to ground; C<sub>VBUS</sub> = 1μF (min), T<sub>A</sub> = T<sub>MIN</sub> to T<sub>MAX</sub>, unless otherwise noted. Typical values are at V<sub>CC</sub> = +4V, V<sub>L</sub> = +1.8V, V<sub>TRM</sub> = +3.3V, and T<sub>A</sub> = +25°C.) (Notes 3, 4)

PARAMETER	SYMBOL	CONDITION	MIN	TYP	MAX	UNITS
ADD Pulldown Resistor				110		kΩ
<b>ESD PROTECTION (V<sub>BUS</sub>, ID_IN, D+, D-)</b>						
ESD Protection		Human Body Model		±15		kV
		IEC1000-4-2 Air-Gap Discharge		±11		
		IEC1000-4-2 Contact Discharge		±6		
<b>V<sub>BUS</sub>/CHARGE-PUMP SPECIFICATIONS</b> (V <sub>BUS_DRV</sub> = 1, V <sub>BUS_DISCHG</sub> = 0, V <sub>BUS_CHG1</sub> = 0, V <sub>BUS_CHG2</sub> = 0, unless otherwise noted.)						
V <sub>BUS</sub> Output Voltage	V <sub>BUS</sub>	I <sub>VBUS</sub> = 0 to 8mA, C <sub>VBUS</sub> = 1μF	4.63		5.25	V
V <sub>BUS</sub> Output Current	I <sub>VBUS</sub>		8			mA
V <sub>BUS</sub> Short-Circuit Current		V <sub>BUS</sub> shorted to GND		140	250	mA
Output Ripple		I <sub>VBUS</sub> = 8mA, C <sub>VBUS</sub> = 1μF		100		mV
Efficiency		V <sub>CC</sub> = 2.6V, I <sub>VBUS</sub> = 8mA		80		%
Switching Frequency	f			600		kHz
V <sub>BUS</sub> Voltage in Three-State Mode		V <sub>BUS_DRV</sub> = 0			0.2	V
V <sub>BUS</sub> Pulldown Resistance		V <sub>BUS_DRV</sub> = 0, V <sub>BUS_DISCHG</sub> = 1	3.2	5.1	6.5	kΩ
V <sub>BUS</sub> Input Impedance		V <sub>BUS_DRV</sub> = 0	40		100	kΩ
<b>V<sub>BUS</sub> AND CURRENT SOURCE SPECIFICATIONS</b> (V <sub>BUS_CHG1</sub> = 1, V <sub>BUS_CHG2</sub> = 0, V <sub>BUS_DRV</sub> = 0, V <sub>BUS_DISCHG</sub> = 0)						
V <sub>BUS</sub> Output Voltage	V <sub>BUS</sub>	C <sub>LOAD</sub> = 15μF	2.1			V
		C <sub>LOAD</sub> = 95μF			1.9	
V <sub>BUS</sub> Current Source		(Note 5)	450	600	850	μA
V <sub>BUS</sub> Current Gate Time		V <sub>BUS_CHG1</sub> = 1, V <sub>BUS_CHG2</sub> = 0 (Note 5)	56	105	155	ms
<b>COMPARATOR SPECIFICATIONS</b>						
V <sub>BUS_VALID</sub> Comparator Threshold			4.40	4.55	4.63	V
V <sub>BUS_VALID</sub> Comparator Hysteresis				20		mV
SESSION_VALID Comparator Threshold			1.0	1.4	1.8	V
SESSION_VALID Comparator Hysteresis				20		mV
B_SESSION_END Comparator Threshold			0.4	0.5	0.6	V
B_SESSION_END Comparator Hysteresis				35		mV
<b>SINGLE-ENDED RECEIVERS AND SE0 SPECIFICATIONS (D+, D-)</b>						
Low-Level Input Threshold					0.8	V
High-Level Input Threshold			2.0			V

# USB On-the-Go Charge Pump with Switchable Pullup/Pulldown Resistors

## ELECTRICAL CHARACTERISTICS (continued)

( $V_{CC} = +2.6V$  to  $+5.5V$ ,  $V_L = +1.65V$  to  $V_{CC}$ ,  $V_{TRM} = +3V$  to  $+3.6V$ ,  $C_{FLYING} = 0.1\mu F$ ,  $V_{CC}$  decoupled with  $1\mu F$  capacitor to ground;  $V_{TRM}$  and  $V_L$  decoupled with  $0.1\mu F$  capacitor to ground;  $C_{VBUS} = 1\mu F$  (min),  $T_A = T_{MIN}$  to  $T_{MAX}$ , unless otherwise noted. Typical values are at  $V_{CC} = +4V$ ,  $V_L = +1.8V$ ,  $V_{TRM} = +3.3V$ , and  $T_A = +25^\circ C$ .) (Notes 3, 4)

PARAMETER	SYMBOL	CONDITION	MIN	TYP	MAX	UNITS
Hysteresis Voltage	$V_{HYST}$			0.2		V
Output Voltage Low (D+ and D- in SE0 state)		$I_{SINK} = -2.4mA$			0.3	V
<b>PULLUP/PULLDOWN RESISTOR SPECIFICATIONS (D+, D-, ID_IN)</b>						
Pulldown Resistor on D+		$DP\_PULLDWN = 1, DP\_PULLUP = 0,$ $BDISC\_ACONN = 0$	14.25		15.75	$k\Omega$
Pulldown Resistor on D-		$DM\_PULLDWN = 1, DM\_PULLUP = 0,$ $BDISC\_ACONN = 0$	14.25		15.75	$k\Omega$
Pullup Resistor on D+		$DP\_PULLDWN = 0, DP\_PULLUP = 1,$ $BDISC\_ACONN = 0$	1.425		1.575	$k\Omega$
Pullup Resistor on D-		$DM\_PULLDWN = 0, DM\_PULLUP = 1,$ $DP\_PULLUP = 0, BDISC\_ACONN = 0$	1.425		1.575	$k\Omega$
D- Leakage Current		$DM\_PULLDWN = 0, DM\_PULLUP = 0,$ $BDISC\_ACONN = 0$			$\pm 1$	$\mu A$
D+ Leakage Current		$DP\_PULLDWN = 0, DP\_PULLUP = 0,$ $BDISC\_ACONN = 0$			$\pm 1$	$\mu A$
Input Impedance on D+/D-		$DP\_PULLUP = 0, DP\_PULLDWN = 0,$ $DM\_PULLUP = 0, DM\_PULLDWN = 0,$ $BDISC\_ACONN = 0$	300			$k\Omega$
ID_IN Pullup Resistor			140	200	270	$k\Omega$
ID_IN Input Voltage Low				$0.33 \times V_{CC}$		V
ID_IN Input Voltage High			$0.67 \times V_{CC}$			V

## TIMING CHARACTERISTICS

( $V_{CC} = +2.6V$  to  $+5.5V$ ,  $V_L = +1.65V$  to  $V_{CC}$ ,  $V_{TRM} = +3V$  to  $+3.6V$ ,  $C_{FLYING} = 0.1\mu F$ ,  $V_{CC}$  decoupled with  $1\mu F$  capacitor to ground.  $V_{TRM}$  and  $V_L$  decoupled with  $0.1\mu F$  capacitor to ground.  $C_{VBUS} = 1\mu F$  (min),  $T_A = T_{MIN}$  to  $T_{MAX}$ , unless otherwise noted. Typical values are at  $T_A = +25^\circ C$ ,  $V_{CC} = +4V$ ,  $V_L = +1.8V$ ,  $V_{TRM} = +3.3V$ .) (Notes 3, 4)

PARAMETER	SYMBOL	CONDITION	MIN	TYP	MAX	UNITS
Time to Assert D+ Pullup		$BDISC\_ACONN = 1, ID\_IN = GND$ (A Device)			1	ms
Time to Assert SE0		$BDISC\_ACONN = 1,$ $ID\_IN = floating$ (B Device)	0.025	0.061	1	ms
Interrupt Propagation Delay		(Note 6)			1	$\mu s$
$V_{BUS}$ Rise Time		From 0 to 4.4V; $C_{LOAD} = 1\mu F$ ; $I_{VBUS} = 8mA$ ; $V_{BUS\_DRV} = 1$			100	ms
$\overline{INT}$ Out Rise Time		$\overline{INT}$ out push/pull configured, $C_{LOAD} = 50pF$		20		ns

# USB On-the-Go Charge Pump with Switchable Pullup/Pulldown Resistors

MAX3353E

## TIMING CHARACTERISTICS (continued)

( $V_{CC} = +2.6V$  to  $+5.5V$ ,  $V_L = +1.65V$  to  $V_{CC}$ ,  $V_{TRM} = +3V$  to  $+3.6V$ ,  $C_{FLYING} = 0.1\mu F$ ,  $V_{CC}$  decoupled with  $1\mu F$  capacitor to ground.  $V_{TRM}$  and  $V_L$  decoupled with  $0.1\mu F$  capacitor to ground.  $C_{VBUS} = 1\mu F$  (min),  $T_A = T_{MIN}$  to  $T_{MAX}$ , unless otherwise noted. Typical values are at  $T_A = +25^\circ C$ ,  $V_{CC} = +4V$ ,  $V_L = +1.8V$ ,  $V_{TRM} = +3.3V$ .) (Notes 3, 4)

PARAMETER	SYMBOL	CONDITION	MIN	TYP	MAX	UNITS
INT Out Fall Time		$C_{LOAD} = 50pF$		20		ns
ID_OUT Rise Time		$C_{LOAD} = 50pF$		30		ns
ID_OUT Fall Time		$C_{LOAD} = 50pF$		10		ns
Time to Exit Shutdown				500		$\mu s$
Time to Enter Shutdown				1000		$\mu s$

## I<sup>2</sup>C/SMBUS-COMPATIBLE TIMING SPECIFICATIONS

( $V_{CC} = +2.6V$  to  $+5.5V$ ,  $V_L = +1.65V$  to  $V_{CC}$ ,  $V_{TRM} = +3V$  to  $+3.6V$ ,  $C_{FLYING} = 0.1\mu F$ ,  $V_{CC}$  decoupled with  $1\mu F$  capacitor to ground.  $V_{TRM}$  and  $V_L$  decoupled with  $0.1\mu F$  capacitor to ground.  $C_{VBUS} = 1\mu F$  (min).  $T_A = T_{MIN}$  to  $T_{MAX}$ , unless otherwise noted. Typical values are at  $V_{CC} = +4V$ ,  $V_L = +1.8V$ ,  $V_{TRM} = +3.3V$ , and  $T_A = +25^\circ C$ .) (Notes 3, 4)

PARAMETER	SYMBOL	CONDITION	MIN	TYP	MAX	UNITS
Serial Clock Frequency	$f_{SCL}$		DC		400	kHz
Bus Free Time Between Stop and Start Conditions	$t_{BUF}$		1.3			$\mu s$
Start Condition Hold Time	$t_{HD:STA}$		0.6			$\mu s$
Stop Condition Setup Time	$t_{SU:STO}$		0.6			$\mu s$
Clock Low Period	$t_{LOW}$		1.3			$\mu s$
Clock High Period	$t_{HIGH}$		0.6			$\mu s$
Data Setup Time	$t_{SU:DAT}$		100			ns
Data Hold Time	$t_{HD:DAT}$	(Note 7)	0		0.9	$\mu s$
Maximum Receive SCL/SDA Rise Time	$t_R$	(Note 8)		300		ns
Minimum Receive SCL/SDA Rise Time	$t_R$	(Note 8)		$20 + 0.1C_B$		ns
Maximum Receive SCL/SDA Fall Time	$t_F$	(Note 8)		300		ns
Minimum Receive SCL/SDA Fall Time	$t_F$	(Note 8)		$20 + 0.1C_B$		ns
Transmit SDA Fall Time (Note 4)	$t_F$	$C_B = 400pF$ , $I_{SDA} = 3mA$ , $V_L \geq 2.5V$	$20 + 0.1C_B$		250	ns
	$t_F$	$C_B = 50pF$ , $I_{SDA} = 3mA$ , $V_L < 2.5V$	$20 + 0.1C_B$		250	
Pulse Width of Suppressed Spike	$t_{SP}$	(Note 9)		50		ns

**Note 3:** All currents into the device are negative; currents out of the device are positive. All voltages are referenced to device ground unless otherwise specified.

**Note 4:** Parameters are 100% production tested at  $+25^\circ C$ , limits over temperature are guaranteed by design.

**Note 5:** The  $V_{BUS}$  current source and current gate time vary together with process and temperature such that the resulting  $V_{BUS}$  pulse is guaranteed to drive a  $<13\mu F$  load to a voltage  $>2.0V$ , and to drive a  $>96\mu F$  load to a voltage  $<2.2V$ . See the *SRP VBUS Pulsing* section for an explanation of this self-timed pulse.

**Note 6:** Guaranteed by design, not production tested.

**Note 7:** A master device must provide a hold time of at least 300ns for the SDA signal to bridge the undefined region of SCL's falling edge.

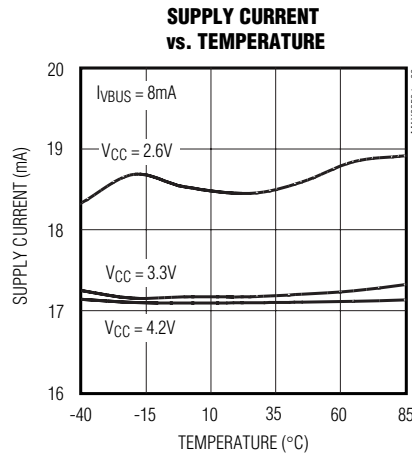
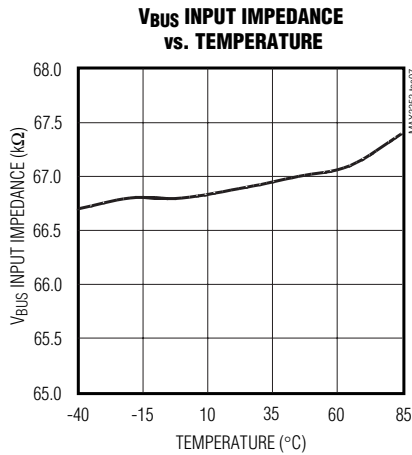
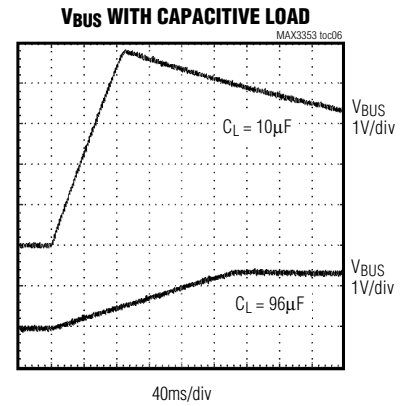
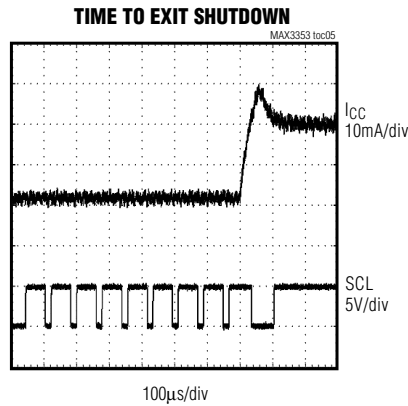
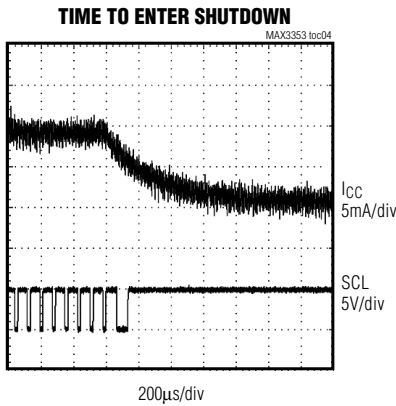
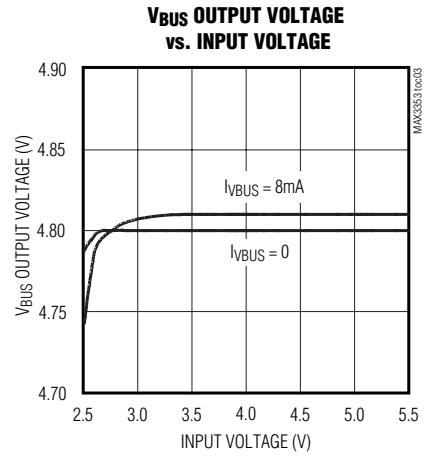
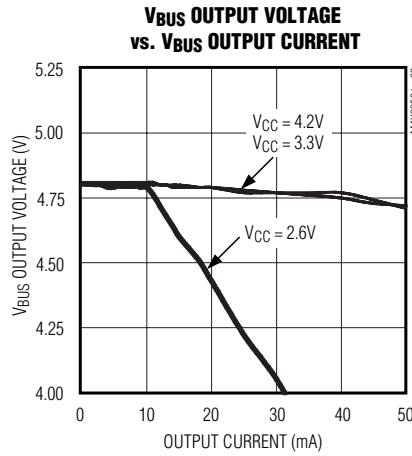
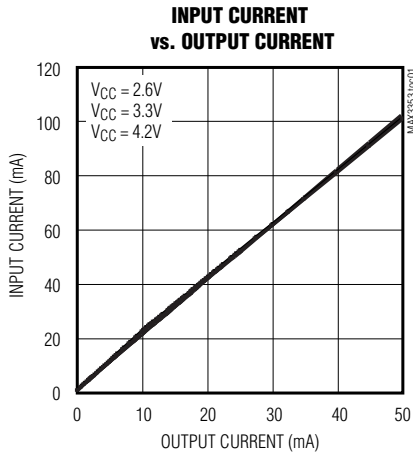
**Note 8:**  $C_B$  is total capacitance of one bus line in pF. Tested with  $C_B = 400pF$ .

**Note 9:** Input filters on SDA, SCL, and ADD suppress noise spikes less than 50ns.

# USB On-the-Go Charge Pump with Switchable Pullup/Pulldown Resistors

## Typical Operating Characteristics

( $V_{CC} = +3V$ ,  $V_L = +2.5V$ ,  $C_{FLYING} = 0.1\mu F$ ,  $C_{VBUS} = 1\mu F$  ( $ESR_{CVBUS} = 0.1\Omega$ ),  $T_A = +25^\circ C$ .)



# USB On-the-Go Charge Pump with Switchable Pullup/Pulldown Resistors

**MAX3353E**

## Pin Description

PIN		NAME	FUNCTION
TSSOP	UCSP		
1	C5	V <sub>CC</sub>	Power-Supply Input. V <sub>CC</sub> input range is +2.6V to +5.5V. Bypass V <sub>CC</sub> to GND with a 1μF capacitor.
2	D5	V <sub>L</sub>	Logic Supply. V <sub>L</sub> sets the logic output high voltage and logic input high threshold for SDA, SCL, $\overline{\text{INT}}$ , and ID_OUT. V <sub>L</sub> can range from +1.65V to V <sub>CC</sub> . Bypass V <sub>L</sub> to GND with a 0.1μF capacitor.
3	D4	SDA	Serial Data Input/Output. I <sup>2</sup> C bus serial data input/open-drain output can be driven above V <sub>L</sub> .
4	C3	ADD	Address Select Input. Address selection for the I <sup>2</sup> C-compatible interface. ADD has an internal 110kΩ pulldown resistor (see the <i>2-Wire I<sup>2</sup>C Compatible Serial Interface</i> section for details).
5	D3	SCL	Serial Clock Input. I <sup>2</sup> C bus serial clock input. Can be driven above V <sub>L</sub> .
6	D2	$\overline{\text{INT}}$	Interrupt Output. $\overline{\text{INT}}$ is an active-low output and can be set either open-drain or push/pull output through control register 1 (default = open drain).
7	D1	ID_OUT	Device ID Output. Output of ID_IN level translated to V <sub>L</sub> .
8	C1	V <sub>TRM</sub>	Termination Supply Input. Connect +3V to +3.6V supply voltage for internal USB pullup resistors. Bypass V <sub>TRM</sub> to GND with a 0.1μF capacitor.
9	B1	D-	USB D- (±15kV ESD Protected)
10	A1	D+	USB D+ (±15kV ESD Protected)
11	A2	ID_IN	Device ID Input. Internally pulled up to V <sub>CC</sub> . ID_IN logic state is V <sub>L</sub> level translated to ID_OUT and can be read through the I <sup>2</sup> C interface (±15kV ESD protected).
12	—	N.C.	No Connection. Not internally connected.
13	A3	GND	Ground
14	A4	C-	Charge-Pump Capacitor Negative Connection
15	A5	C+	Charge-Pump Capacitor Positive Connection
16	B5	V <sub>BUS</sub>	OTG Bus Supply. Provides power to the bus. V <sub>BUS</sub> can be back-driven to +6V. Bypass V <sub>BUS</sub> to GND with a 1μF capacitor.

## Detailed Description

The MAX3353E integrates a regulated charge pump, switchable pullup/pulldown resistors, and an I<sup>2</sup>C-compatible 2-wire serial interface. The internal level shifter allows the device to operate with logic supply voltages (V<sub>L</sub>) between +1.65V and V<sub>CC</sub>. The MAX3353E's OTG-compliant charge pump operates with input supply voltages (V<sub>CC</sub>) from +2.6V to +5.5V and supplies an OTG-compatible output on V<sub>BUS</sub> while sourcing 8mA output current.

The MAX3353E level-detector comparators monitor important V<sub>BUS</sub> voltages needed to support SRP and HNP and provides an interrupt output signal for OTG events that require action. The V<sub>BUS</sub> power-control block performs the various switching functions required by an OTG dual-role device and is programmable by system logic.

For OTG operation, D+ and D- are connected to switchable pulldown resistors (host) and switchable pullup resistors (peripheral) controlled by internal registers.

## Charge Pump

The MAX3353E's OTG-compliant charge-pump operates with input supply voltages (V<sub>CC</sub>) from +2.6V to +5.5V and supplies an OTG-compatible output on V<sub>BUS</sub> with the capability of sourcing 8mA (min) output current. When V<sub>BUS</sub> is not providing power, an input impedance of no more than 100kΩ and no less than 40kΩ to GND is present on V<sub>BUS</sub>. When V<sub>BUS</sub> provides power, the rise time on V<sub>BUS</sub> from 0 to 4.4V is no longer than 100ms when driving a constant current load of 8mA and an external load capacitance of 13μF.

During a continuous short circuit on V<sub>BUS</sub>, the charge-pump output is current limited to 140mA (typ). Thermal-shutdown circuitry turns off the charge pump if the die temperature exceeds +150°C and restarts when the die cools to 140°C.

## Level Shifters

Internal level shifters allow the system-side interface to run at logic supply voltages as low as 1.65V. Interface logic signals are referenced to the voltage applied to V<sub>L</sub>.

# USB On-the-Go Charge Pump with Switchable Pullup/Pulldown Resistors

## V<sub>BUS</sub> Level-Detection Comparators

Comparators drive status register bits 0, 1, and 2 to indicate these important USB OTG V<sub>BUS</sub> voltage levels:

- V<sub>BUS</sub> is valid (V<sub>BUS</sub> > 4.6V)
- A USB session is valid (V<sub>BUS</sub> > 1.4V)
- A USB session is ended (V<sub>BUS</sub> < 0.5V)

The 4.6V comparator sets bit 0 in status register V<sub>BUS\_VALID</sub> to 1 if V<sub>BUS</sub> > 4.6V. The A Device uses the V<sub>BUS</sub> valid status bit (V<sub>BUS\_VALID</sub>) to determine if the B Device is sinking too much current (i.e., is not supported). The interrupt can be associated to either a positive or a negative transition. The 1.4V comparator sets bit 1 of status register SESSION\_VALID to 1 if V<sub>BUS</sub> > 1.4V. This status bit indicates that a data transfer session is valid and the interrupt can be associated to either a positive or a negative transition. The session-end comparator sets bit 2 in the status register SESSION\_END to a 1 when V<sub>BUS</sub> < 0.5V, and generates an interrupt when V<sub>BUS</sub> falls below 0.5V. Figure 1 shows the level-detector comparators.

## Interrupt Logic

When OTG events require action, the MAX3353E provides an interrupt output signal on  $\overline{\text{INT}}$ . An interrupt is triggered ( $\overline{\text{INT}}$  goes low) when one of the conditions specified by the interrupt-mask register and interrupt-edge register is verified.  $\overline{\text{INT}}$  stays active until the interrupt is cleared by reading the interrupt latch register.

## Shutdown

In shutdown mode, the MAX3353E's quiescent current is reduced to less than 2 $\mu$ A. Bit 0 in control register 2 controls the shutdown feature. Setting bit 0 = 1 places the device in shutdown mode (Figure 2, Table 5). When in shutdown, the MAX3353E's charge-pump current generator and V<sub>BUS</sub> detection comparators are turned off. During shutdown, the I<sup>2</sup>C serial interface is fully functional and registers can be read from or written to. ID\_IN and ID\_OUT are both functional in shutdown.

## V<sub>BUS</sub> Power Control

V<sub>BUS</sub> is a dual-function I/O that can supply USB OTG-compliant voltage to the USB. The V<sub>BUS</sub> power-control block performs the various switching functions required by an OTG dual-role device. This action is programmed by the system logic using internal register control bits in control register 2.

- Discharge V<sub>BUS</sub> through a resistor to ensure a session is not in progress.
- Charge V<sub>BUS</sub> through an internal current generator to initiate SRP (session request protocol).
- Connect the charge pump to V<sub>BUS</sub> to provide power on V<sub>BUS</sub>.

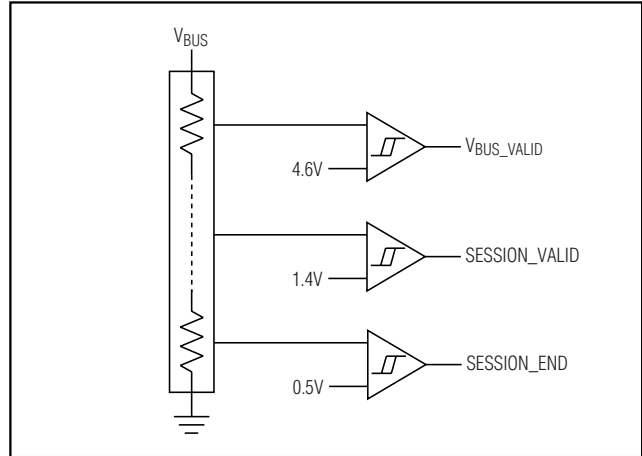


Figure 1. Comparator Network Diagram

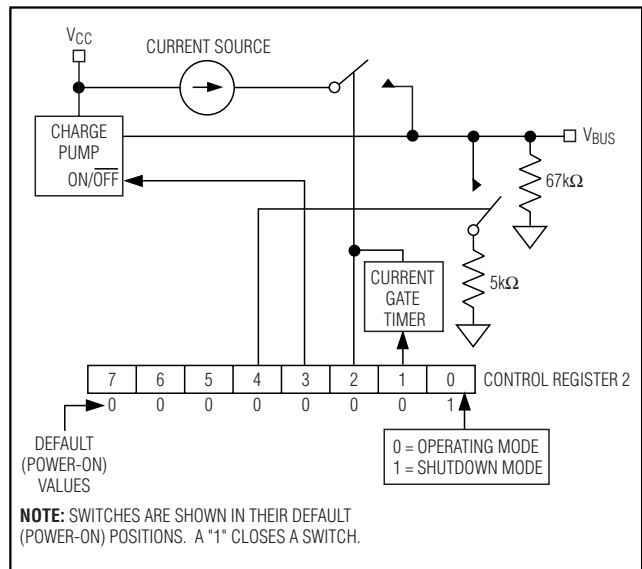


Figure 2. Power-Control Block Diagram

Bit 0 (SDWN) in control register 2 is used to place the MAX3353E in normal operation or shutdown mode. Setting bit 1 (V<sub>BUS\_CHG1</sub>) issues a timed pulse on V<sub>BUS</sub> suitable for implementing the session request protocol (see the *SRP V<sub>BUS</sub> Pulsing* section). The pulse is created by turning a current source – supplied by V<sub>CC</sub> and connected to V<sub>BUS</sub> – on and off. Setting control register bit 2 (V<sub>BUS\_CHG2</sub>) to 1 charges V<sub>BUS</sub> through the current source continuously. Setting V<sub>BUS\_CHG2</sub> to zero disconnects the current source. Bit 3 (V<sub>BUS\_DRV</sub>) turns the



# USB On-the-Go Charge Pump with Switchable Pullup/Pulldown Resistors

charge pump on and off to power  $V_{BUS}$ . Bit 4 in control register 2 ( $V_{BUS\_DISCHG}$ ) is used to discharge  $V_{BUS}$  through a  $5k\Omega$  resistor. Figure 2 and Table 2 show power control.

## Autoconnect and Autoresponse

USB OTG defines the HNP, where the default host (A Device) can pass the host responsibilities off to the default peripheral (B Device). This protocol can be handled entirely by the firmware and controlling logic that drives the OTG transceiver. The MAX3353E has the option to automatically perform some of the required signaling for some of the timing-critical events in the HNP process. The automatic signaling used by the A Device, when it transfers host control to the B Device, is defined by the OTG transceiver supplement and is known as autoconnect. Autoconnect allows the transceiver to automatically connect the A Device's D+ pullup resistor during HNP. Autoconnect is enabled when the MAX3353E is configured as an A Device ( $ID\_IN = 0$ ) and the  $BDISC\_ACONN$  control bit is set.

The MAX3353E also has the capability to automate the signaling used by the B Device when it assumes host control from the A Device. This autoresponse is not specified by the OTG-transceiver supplement. Autoresponse causes the B Device to automatically assert a bus reset by driving a single-ended zero (SE0: both D+ and D- driven low) onto USB in response to the A Device connecting its D+ pullup resistor. Autoresponse is enabled when the MAX3353E is configured as a B Device and the  $BDISC\_ACONN$  control bit is set.

**Note:** In a system, D+ and D- are also driven by a transceiver in an ASIC or other device. The autoresponse mode should not be used unless the system designer can ensure that there is no bus conflict between the transceiver and the MAX3353E driving USB to SE0.

## Autoconnect Details

When the MAX3353E is configured as an A Device ( $ID\_IN = GND$ ), it can enable autodetect by setting  $BDISC\_ACONN$  to one. This should be done after the USB is in the suspend state ( $>3ms$  with no traffic). The MAX3353E monitors D+/D- for an SE0. The presence of the SE0 indicates that the B Device has disconnected its pullup resistor, the first step in HNP. When SE0 is detected, the MAX3353E automatically turns on its internal pullup resistor to the D+ line within 3ms. There are two ways for firmware to ascertain that the MAX3353E has automatically turned on its D+ pullup during HNP:

1) The  $A\_HNP\_EN$  status bit goes high when the D+ pullup is automatically connected during HNP

2) The  $A\_HNP\_EN$  control bit is set, and an interrupt is issued as the D+ pullup is connected (see also the *Interrupt Logic* section).

By clearing  $BDISC\_ACONN$  bit, the D+ pullup is disconnected. After a successful autoconnect operation, the firmware should set the  $DP\_PULLUP$  control bit before clearing the  $BDISC\_ACONN$  bit; this ensures that the D+ pullup remains connected.

**Note:** The autoconnect works only if MAX3353E is not in shutdown.

## Autoresponse Details

When the MAX3353E is configured as a B Device ( $ID\_IN = open$ ), setting the  $BDISC\_ACONN$  control bit enables the autoresponse feature. Using this feature, the MAX3353E automatically issues a USB bus reset when the A Device becomes a peripheral. Firmware can take advantage of the autoresponse feature of the MAX3353E by doing the following:

- Ensure that the system transceiver is in USB-suspend mode. Wait until the USB-suspend conditions are met (no USB activity for  $>3ms$ ). Enable autoresponse. Set the  $BDISC\_ACONN$  control bit. Signal a USB disconnect. Firmware clears the  $DP\_PULLUP$  control bit, which disconnects the D+ pullup resistor. At this point, the MAX3353E waits at least  $25\mu s$  before enabling its internal USB line monitor to detect if the A Device has attached its D+ pullup; this ensures that the D+ line is not high due to the residual effect of the B Device pullup. When the A Device has connected its D+ pullup, the MAX3353E issues a bus reset (SE0) and the  $B\_HNP$  status bit goes high.
- Wait for  $B\_HNP$  to go high; output SE0 from the ASIC or other device on D+/D-. Disable autoresponse. By clearing  $BDISC\_ACONN$  bit, the SE0 generator is turned off. The SE0 is maintained by the system USB transceiver.

**Note:** The autoresponse works only if the MAX3353E is not in shutdown.

## SRP $V_{BUS}$ Pulsing

Session request protocol (SRP) is designed to allow the A Device (default host) to conserve power by turning off  $V_{BUS}$  when there is no USB traffic. The B Device (default peripheral) can request the A Device to turn  $V_{BUS}$  on and initiate a new session through SRP.

The B Device must initiate SRP in two ways: data-line and  $V_{BUS}$  pulsing. Firmware is responsible for turning on and off the pullup resistor on D+ to implement data-line pulsing. Firmware can also be used to turn on and off a current source to implement  $V_{BUS}$  pulsing.

# USB On-the-Go Charge Pump with Switchable Pullup/Pulldown Resistors

The MAX3353E also has a special feature that allows it to control the timing of the V<sub>BUS</sub> pulse.

Since an OTG device could be plugged into a PC, the V<sub>BUS</sub> pulse must be particularly well controlled to prevent damage to a PC host. For this reason, V<sub>BUS</sub> pulsing is done by turning on and off a current source. The V<sub>BUS</sub> pulse must be timed so it drives a 13μF load (when it is connected to the A Device) to a voltage greater than 2.1V, and it drives a >96μF load (when it is connected to a standard PC) to a voltage less than 2.0V.

Firmware can control the current source and the timing of the V<sub>BUS</sub> pulse through the V<sub>BUS</sub>\_CHG2 control bit. The MAX3353E also has the capability to time the pulse

itself. Firmware initiates the self-timed V<sub>BUS</sub> pulse by setting the V<sub>BUS</sub>\_CHG1 control bit to 1.

The internal timer and current generator guarantee that the V<sub>BUS</sub> voltage goes above 2.1V if C<sub>VBUS</sub> ≤ 13μF within 90ms and stands below 2.0V if C<sub>VBUS</sub> ≥ 96μF. Once the time has elapsed, if another V<sub>BUS</sub> pulse is required, it is necessary to clear the V<sub>BUS</sub>\_CHG1 bit and then set it again.

**Note:** SRP V<sub>BUS</sub> pulsing and its associated current generator work only if the MAX3353E is not in shutdown.

### Data-Line Pullup and Pulldown Resistance

For OTG operation, D+ and D- are connected to switchable pulldown resistors (host) and switchable pullup resistors (peripheral). Data-line pullup/pulldown resistors are individually controlled through data bits 4 through 7 in control register 1. Two 15kΩ pulldown resistors allow the device to be set as a host and are asserted by bits 6 and 7. The 1.5kΩ pullup resistor is applied to the data lines through SW1 and SW2, which are controlled by bits 4 and 5. D+ pullup has higher priority to avoid direct connection of D+ and D-. Each of the control bits controls a designated switch; therefore, pullup and pulldown switches can be asserted at the same time. A simplified schematic of the switching network is shown in Figure 3.

The bidirectional D+ and D- lines are ESD protected to ±15kV, reducing external components in many applications.

### Applications Information

#### 2-Wire I<sup>2</sup>C-Compatible Serial Interface

A register file that interfaces to the control logic uses a simple 2-wire interface operating up to 400kHz to control the various switches and modes.

#### Serial Addressing

The MAX3353E operates as a slave that sends and receives control and status signals through an I<sup>2</sup>C-compatible 2-wire interface. The interface uses a serial data line (SDA) and a serial clock line (SCL) to achieve

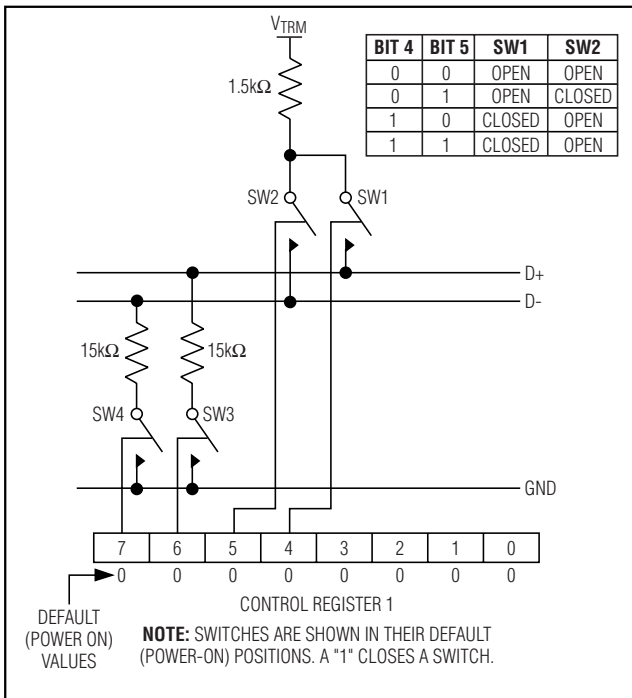


Figure 3. Pullup and Pulldown Resistors Network

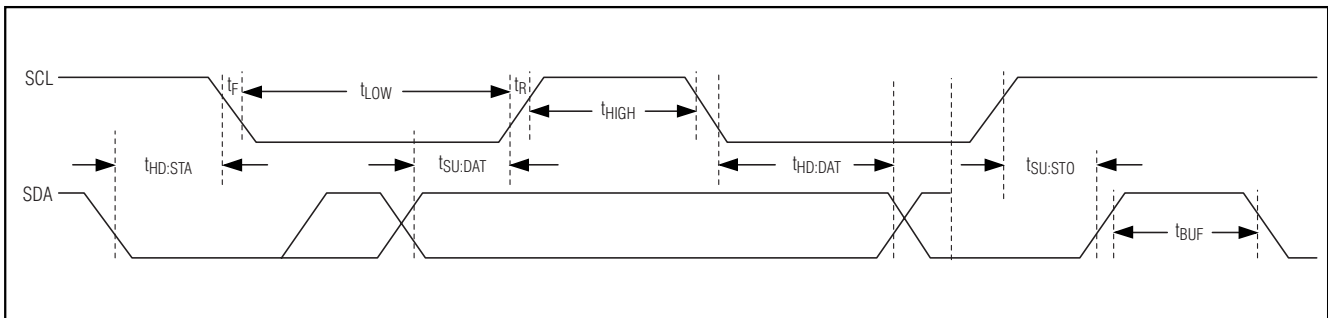


Figure 4. 2-Wire Serial Interface Timing Details

# USB On-the-Go Charge Pump with Switchable Pullup/Pulldown Resistors

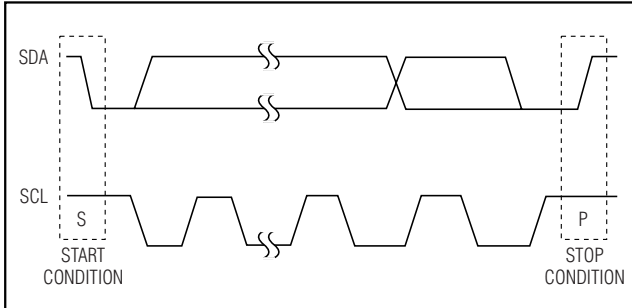


Figure 5. Start and Stop Conditions

bidirectional communication between master(s) and slave(s). A master (typically a microcontroller) initiates all data transfers to and from the MAX3353E and generates the SCL clock that synchronizes the data transfer (Figure 4).

The MAX3353E SDA line operates as both an input and an open-drain output. A pullup resistor (4.7k $\Omega$  typ) is required on SDA. The MAX3353E SCL line operates only as an input. A pullup resistor (4.7k $\Omega$  typ) is required on SCL if there are multiple masters on the 2-wire interface, or if the master in a single-master system has an open-drain SCL output.

Each transmission consists of a START condition (Figure 5) sent by a master, followed by the MAX3353E 7-bit slave address plus R/W bit (Figure 6), a register address byte, one or more data bytes, and finally a STOP condition (Figure 5).

### Start and Stop Conditions

Both SCL and SDA remain high when the interface is not busy. A master signals the beginning of a transmission with a START (S) condition by transitioning SDA from high to low while SCL is high. When the master has finished communicating with the slave, it issues a STOP (P) condition by transitioning the SDA from low to high while SCL is high. The bus is then free for another transmission (Figure 5).

### Bit Transfer

One data bit is transferred during each clock pulse. The data on the SDA line must remain stable while SCL is high (Figure 7).

### Acknowledge

The acknowledge bit is the clocked ninth bit that the recipient uses to handshake receipt of each byte of data (Figure 8). Thus, each byte transferred effectively requires 9 bits. The master generates the 9th clock pulse, and the recipient pulls down SDA during the acknowledge clock pulse, such that the SDA line is stable low during the high period of the clock pulse. When

the master is transmitting to the MAX3353E, the MAX3353E generates the acknowledge bit because it is the recipient. When the MAX3353E is transmitting to the master, the master generates the acknowledge bit because the master is the recipient.

### Slave Address

The MAX3353E has a 7-bit-long slave address. The eighth bit following the 7-bit slave address is the R/W bit. It is low for a write command, high for a read command. The first 6 bits (MSBs) of the MAX3353E slave address are always 010110. Select slave address bit A0 by connecting the address input ADD to V<sub>L</sub>, GND, or leave floating (ADD is internally pulled to GND through a 110k $\Omega$  resistor). The MAX3353E has two possible slave addresses (Table 1). As a result, only two MAX3353E devices can share the same interface.

### Write Byte Format

A write to the MAX3353E comprises the transmission of the MAX3353E's slave address with the R/W bit set to zero, followed by 2 bytes of information. The first byte of information is the command byte that determines which register of the MAX3353E is to be written by the second byte. The second byte is the data that goes into the register that is set by the first byte. Figure 9 shows the typical write byte format.

### Read Byte Format

A read from the MAX3353E comprises the transmission of the MAX3353E's slave address (from the master) with the R/W bit set to one, followed by one byte containing the address of the register, from which the master is going to read data, and then followed by MAX3353E's slave address again with the R/W bit set to one. After that one byte of data is being read by the master. Figure 10 shows the read byte format that must be used. To read many contiguous registers, multiple accesses are required.

### Registers

#### Control Registers (10h, 11h)

There are two read/write control registers. Control register 1 is used to set D+, D- pullup or pulldown, and to set interrupt output to open-drain or push-pull. Control register 2 is the bus control register used to control the bus operation and put the device into shutdown mode. (Tables 3, 4, and 5.)

#### Status Register (13h)

The status register is a read-only register for determining valid bus and session comparator thresholds, ID\_IN status, and HNP success. Tables 6 and 7 show status register address map, bit configuration, and description.



# USB On-the-Go Charge Pump with Switchable Pullup/Pulldown Resistors

**Table 1. MAX3353E Address Map**

ADD PIN	ADDRESS BITS						
	A <sub>6</sub>	A <sub>5</sub>	A <sub>4</sub>	A <sub>3</sub>	A <sub>2</sub>	A <sub>1</sub>	A <sub>0</sub>
Float or GND	0	1	0	1	1	0	0
V <sub>L</sub>	0	1	0	1	1	0	1

**Interrupt Registers (14h, 15h, 16h)**

There are three interrupt registers. Interrupt mask register is a read/write register used to enable interrupts and read status of interrupts. Interrupt edge register is a read/write register for setting and determining interrupts for positive and negative edges. Interrupt latch register is a read only register to check and validate interrupt requests. Table 8 shows the interrupt mask,

**Table 2. Register Address Map**

NAME	ADD	BIT 7	BIT 6	BIT 5	BIT 4	BIT 3	BIT 2	BIT 1	BIT 0
Manufacturer Register 0	00h	0	1	1	0	1	0	1	0
Manufacturer Register 1	01h	0	0	0	0	1	0	1	1
Manufacturer Register 2	02h	0	1	0	1	0	0	1	1
Manufacturer Register 3	03h	0	0	1	1	0	0	1	1
Product ID Register 0	04h	0	1	0	0	1	0	0	0
Product ID Register 1	05h	0	1	0	1	1	0	1	0
Product ID Register 2	06h	0	1	0	0	0	0	1	0
Product ID Register 3	07h	0	0	0	0	0	0	0	1
Reserved	08h-0Fh	—	—	—	—	—	—	—	—
Control Register 1	10h	DM_PULLDWN	DP_PULLDWN	DM_PULLUP	DP_PULLUP	—	BDISC_ACONN	IRQ_MODE	—
Control Register 2	11h	—	—	—	VBUS_DISCHG	VBUS_DRV	VBUS_CHG2	VBUS_CHG1	SDWN
Reserved	12h	—	—	—	—	—	—	—	—
Status Register	13h	—	B_HNP	A_HNP	ID_FLOAT	ID_GND	SESSION_END	SESSION_VALID	VBUS_VALID
Interrupt Mask	14h	—	—	A_HNP_EN	ID_FLOAT_EN	ID_GND_EN	SESSION_END_EN	SESSION_VALID_EN	VBUS_VALID_EN
Interrupt Edge	15h	—	—	—	—	—	—	SESSION_VALID_ED	VBUS_VALID_ED
Interrupt Latch	16h	A_HNP_RQ	ID_FLOAT_RQ	ID_GND_RQ	SESSION_END_RQ	SESSION_VALID_RN	VBUS_VALID_RN	SESSION_VALID_RP	VBUS_VALID_RP
Reserved	17h -Ffh	—	—	—	—	—	—	—	—

# USB On-the-Go Charge Pump with Switchable Pullup/Pulldown Resistors

interrupt edge, and interrupt latch address maps. Bit configuration is shown in Tables 9, 10, and 11.

## Manufacturer and ID Register Address Map

The manufacturer and ID registers are read-only registers (Table 12).

## External Capacitors

Five external capacitors are recommended for proper operation. Bypass  $V_L$  and  $V_{TRM}$  to GND with a 0.1 $\mu$ F ceramic capacitor. Bypass  $V_{BUS}$  and  $V_{CC}$  to GND with a 1 $\mu$ F low-ESR ceramic capacitor. For the internal charge pump, use a 0.1 $\mu$ F ceramic capacitor between  $C_+$  and  $C_-$ .

**Table 3. Control Register Address Map**

REGISTER	ADDRESS	POWER-UP REGISTER STATUS							
		BIT 7	BIT 6	BIT 5	BIT 4	BIT 3	BIT 2	BIT 1	BIT 0
Control 1	10h	0	0	0	0	0	0	0	0
Control 2	11h	0	0	0	0	0	0	0	1

**Table 4. Control Register 1 (10h)**

BIT NUMBER	SYMBOL	OPERATION
0	—	Not used
1	IRQ_MODE	Interrupt pin open-drain/push-pull: 0 = open drain 1 = push/pull
2	BDISC_ACONN	0 = disable 1 = enable
3	—	Not used
4	DP_PULLUP	D+ pullup (high priority) 0 = D+ pullup unconnected 1 = D+ pullup connected
5	DM_PULLUP	D- pullup: 0 = D- pullup unconnected 1 = D- pullup connected
6	DP_PULLDWN	D+ pulldown: 0 = D+ pulldown unconnected 1 = D+ pulldown connected
7	DM_PULLDWN	D- pulldown: 0 = D- pulldown unconnected 1 = D- pulldown connected

**Table 5. Control Register 2 (11h)**

BIT NUMBER	SYMBOL	OPERATION
0	SDWN	Puts part in shutdown mode: 0 = operating 1 = shutdown mode
1	VBUS_CHG1	Charge $V_{BUS}$ through a current generator for 105ms: 0 = current generator OFF 1 = current generator ON (automatically turned off after 105ms)
2	VBUS_CHG2	Charge $V_{BUS}$ through a current generator: 0 = current generator OFF 1 = current generator ON
3	VBUS_DRV	Drive $V_{BUS}$ through charge pump 0 = $V_{BUS}$ not driven 1 = $V_{BUS}$ connected to the charge pump
4	VBUS_DISCHG	Discharge $V_{BUS}$ through a resistor: 0 = Resistor disconnected 1 = Resistor connected
5	—	Not used
6	—	Not used
7	—	Not used

**Table 6. Status Register Address Map**

REGISTER	ADDRESS	POWER-UP REGISTER STATUS							
		BIT 7	BIT 6	BIT 5	BIT 4	BIT 3	BIT 2	BIT 1	BIT 0
Status	13h	0	0	0	—	—	—	—	—

(—) = don't know

# USB On-the-Go Charge Pump with Switchable Pullup/Pulldown Resistors

MAX3353E

**Table 7. Status Register (13h)**

BIT NUMBER	SYMBOL	CONTENTS
0	V <sub>BUS</sub> _VALID	Device A V <sub>BUS</sub> valid comparator, threshold = 4.55V: 0 = V <sub>BUS</sub> lower than threshold 1 = V <sub>BUS</sub> higher than threshold
1	SESSION_VALID	Session-valid comparator, threshold = 1.4V: 0 = V <sub>BUS</sub> lower than threshold 1 = V <sub>BUS</sub> higher than threshold
2	SESSION_END	V <sub>BUS</sub> session-end comparator, threshold = 0.5V: 0 = V <sub>BUS</sub> higher than threshold 1 = V <sub>BUS</sub> lower than threshold
3	ID_GND	ID_IN grounded: 0 = not grounded 1 = grounded
4	ID_FLOAT	ID_IN floating: 0 = not floating 1 = floating
5	A_HNP	Set when Device A is configured, BDISC_ACONN is enabled and has attached pullup during HNP; cleared by resetting BDISC_ACONN bit in control register 1.
6	B_HNP	Set when Device B is configured, BDISC_ACONN is enabled and has asserted an SE0 during HNP; cleared by resetting BDISC_ACONN bit in control register 1.
7	—	Not used

**Table 8. Interrupt Register Address Map**

REGISTER	ADDRESS	POWER-UP REGISTER STATUS							
		BIT7	BIT6	BIT5	BIT4	BIT3	BIT2	BIT1	BIT0
Interrupt Mask	14h	0	0	0	0	0	0	0	0
Interrupt Edge	15h	0	0	0	0	0	0	0	0
Interrupt Latch	16h	0	0	0	0	0	0	0	0

**Table 9. Interrupt Mask Register (14h)**

BIT NUMBER	SYMBOL	OPERATION
0	V <sub>BUS</sub> _VALID_EN	Enables V <sub>BUS</sub> _VALID interrupt
1	SESSION_VALID_EN	Enables SESSION_VALID interrupt
2	SESSION_END_EN	Enables SESSION_END interrupt
3	ID_GND_EN	Enables ID_GND interrupt
4	ID_FLOAT_EN	Enables ID_FLOAT interrupt
5	A_HNP_EN	Enables A_HNP interrupt
6	—	Not used
7	—	Not used

# USB On-the-Go Charge Pump with Switchable Pullup/Pulldown Resistors

**Table 10. Interrupt Edge Register (15h)**

BIT NUMBER	SYMBOL	OPERATION
0	VBUS_VALID_ED	VBUS_VALID interrupt on positive/negative edge: 0 = detected on negative edge 1 = detected on positive edge
1	SESSION_VALID_ED	SESSION_VALID interrupt on positive/negative edge: 0 = detected on negative edge 1 = detected on positive edge
2	—	Not used
3	—	Not used
4	—	Not used
5	—	Not used
6	—	Not used
7	—	Not used

**Table 11. Interrupt Latch Register (16h)**

BIT NUMBER	SYMBOL	OPERATION
0	VBUS_VALID_RP	VBUS_VALID positive edge interrupt request: 0 = not asserted 1 = asserted
1	SESSION_VALID_RP	SESSION_VALID positive edge interrupt request: 0 = not asserted 1 = asserted
2	VBUS_VALID_RN	VBUS_VALID negative edge interrupt request: 0 = not asserted 1 = asserted
3	SESSION_VALID_RN	SESSION_VALID negative edge interrupt request: 0 = not asserted 1 = asserted
4	SESSION_END_RQ	SESSION_END interrupt request: 0 = not asserted 1 = asserted
5	ID_GND_RQ	ID_GND interrupt request: 0 = not asserted 1 = asserted
6	ID_FLOAT_RQ	ID_FLOAT interrupt request: 0 = not asserted 1 = asserted
7	A_HNP_RQ	DP_SRP interrupt request: 0 = not asserted 1 = asserted

**Table 12. Manufacturer and ID Register Address Map**

REGISTER	ADD	BIT 7	BIT 6	BIT 5	BIT 4	BIT 3	BIT 2	BIT 1	BIT 0	hex
Manufacturer Register 0	00h	0	1	1	0	1	0	1	0	6A
Manufacturer Register 1	01h	0	0	0	0	1	0	1	1	0B
Manufacturer Register 2	02h	0	1	0	1	0	0	1	1	53
Manufacturer Register 3	03h	0	0	1	1	0	0	1	1	33
Product ID Register 0	04h	0	1	0	0	1	0	0	0	48
Product ID Register 1	05h	0	1	0	1	1	0	1	0	5A
Product ID Register 2	06h	0	1	0	0	0	0	1	0	42
Product ID Register 3	07h	0	0	0	0	0	0	0	1	01



# USB On-the-Go Charge Pump with Switchable Pullup/Pulldown Resistors

Connect all capacitors as close to the device as possible.  $V_{BUS}$  and  $V_{CC}$  bypass capacitors should have trace lengths as short as possible

## **±15kV ESD Protection**

To protect the MAX3353E against ESD,  $D+$ ,  $D-$ ,  $ID_{IN}$ , and  $V_{BUS}$ , have extra protection against static electricity to protect the device up to  $\pm 15kV$ . The ESD structures withstand high ESD in all states—normal operation, shutdown, and powered down. In order for the 15kV ESD structures to work correctly, a  $1\mu F$  or greater capacitor must be connected from  $V_{BUS}$  to GND. ESD protection can be tested in various ways;  $D+$ ,  $D-$ ,  $ID_{IN}$ , and  $V_{BUS}$  are characterized for protection to the following limits:

- 1)  $\pm 15kV$  using the Human Body Model
- 2)  $\pm 6kV$  using the IEC 1000-4-2 Contact Discharge method
- 3)  $\pm 11kV$  using the IEC 1000-4-2 Air-Gap Discharge method

**ESD Test Conditions:** ESD performance depends on a variety of conditions. Contact Maxim for a reliability report that documents test setup, test methodology, and test results.

## **Human Body Model**

Figure 11 shows the Human Body Model and Figure 12 shows the current waveform it generates when discharged into a low impedance. This model consists of a  $100pF$  capacitor charged to the ESD voltage of interest, which is then discharged into the test device through a  $1.5k\Omega$  resistor.

## **IEC 1000-4-2**

The IEC 1000-4-2 standard covers ESD testing and performance of finished equipment; it does not specifically refer to integrated circuits. The major difference between tests done using the Human Body Model and IEC 1000-4-2 is a higher peak current in IEC 1000-4-2, because series resistance is lower in the IEC 1000-4-2 model. Hence, the ESD withstand voltage measured to IEC 1000-4-2 is generally lower than that measured using the Human Body Model. Figure 13 shows the IEC 1000-4-2 model. The Air-Gap Discharge test involves approaching the device with a charged probe. The Contact Discharge method connects the probe to the device before the probe is energized. Figure 14 shows the IEC 1000-4-2 current waveform.

## **Machine Model**

The Machine Model for ESD tests all pins using a  $200pF$  storage capacitor and zero discharge resistance. Its objective is to emulate the stress caused by contact that occurs with handling and assembly during manufacturing. All pins require this protection during manufacturing. The Machine Model is less relevant to I/O ports after PC board assembly.

## **Layout Considerations**

The MAX3353E high oscillator frequency makes proper layout important to ensure stability and maintain the output voltage under all loads. For best performance, minimize the distance between the capacitors and the MAX3353E.

## **UCSP Reliability**

For the latest application details on UCSP construction, dimensions, tape-carrier information, printed circuit board techniques, bump-pad layout, and recommended reflow temperature profile as well as the latest information on reliability testing results, refer to Maxim Application Note: *UCSP – A Wafer-Level Chip Scale Package* available on Maxim's website at [www.maxim-ic.com/ucsp](http://www.maxim-ic.com/ucsp).

# USB On-the-Go Charge Pump with Switchable Pullup/Pulldown Resistors

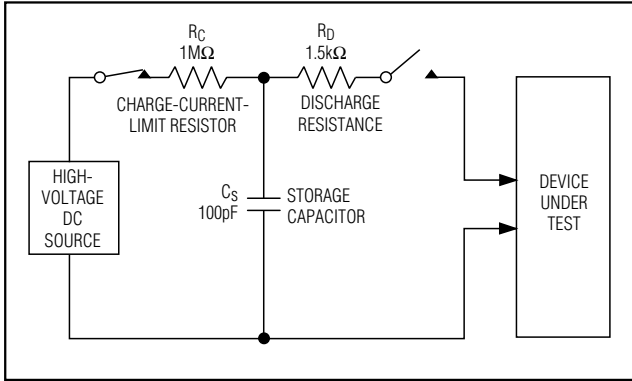


Figure 11. Human Body ESD Test Models

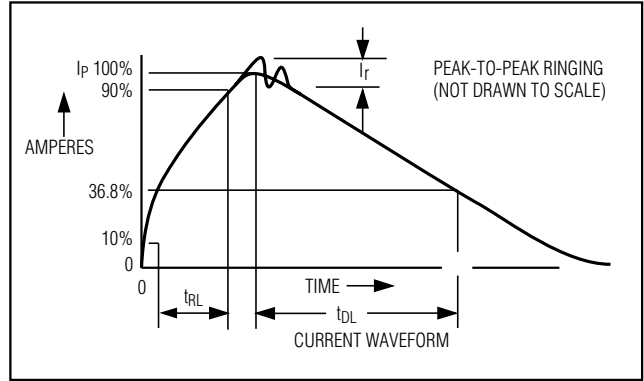


Figure 12. Human Body Model Current Waveform

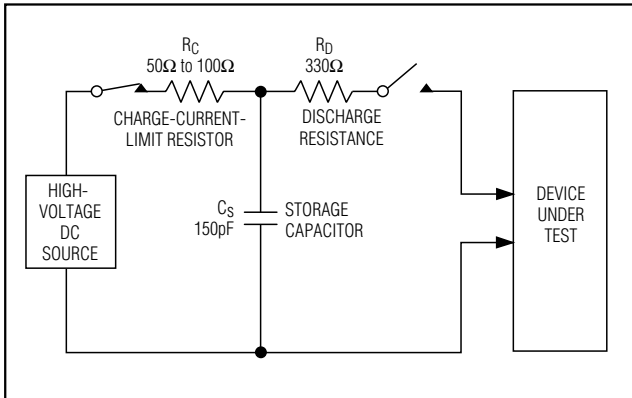


Figure 13. IEC 1000-4-2 ESD Test Model

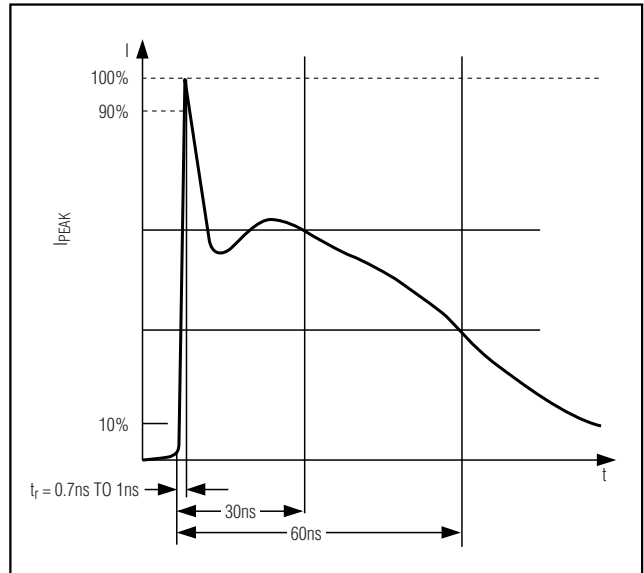
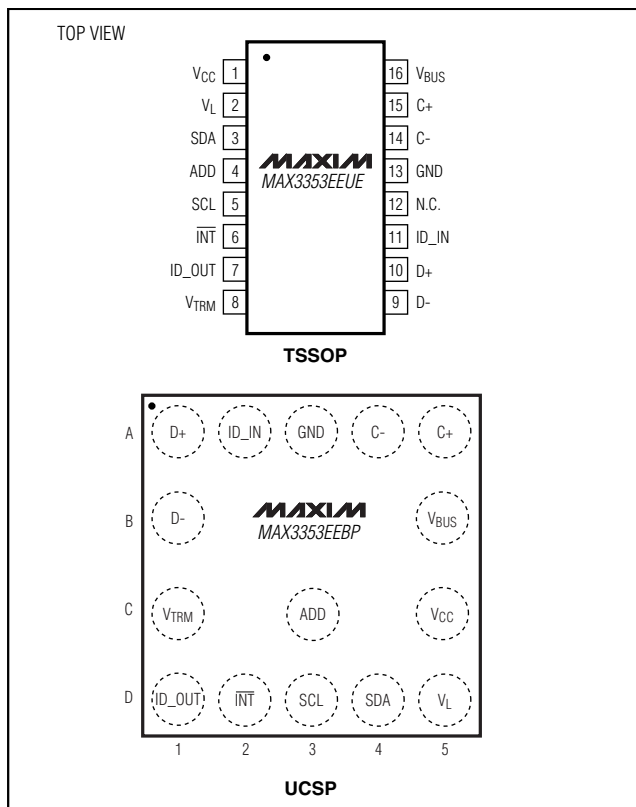


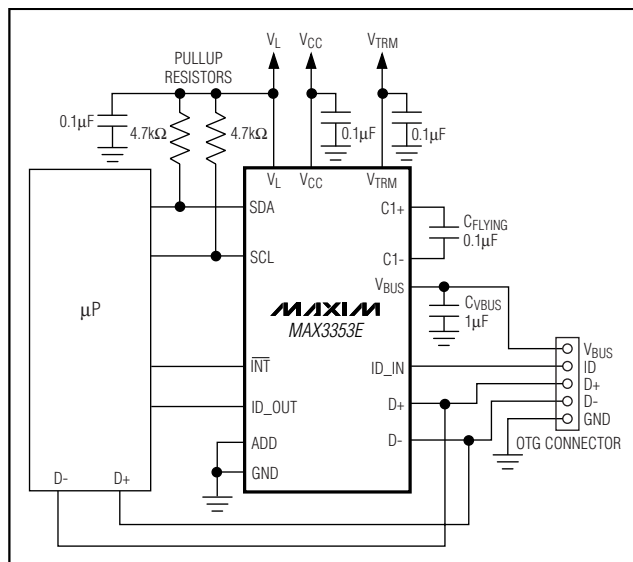
Figure 14. IEC 1000-4-2 Current Waveform

# USB On-the-Go Charge Pump with Switchable Pullup/Pulldown Resistors

## Pin Configurations



## Typical Applications Circuit



**MAX3353E**

## Chip Information

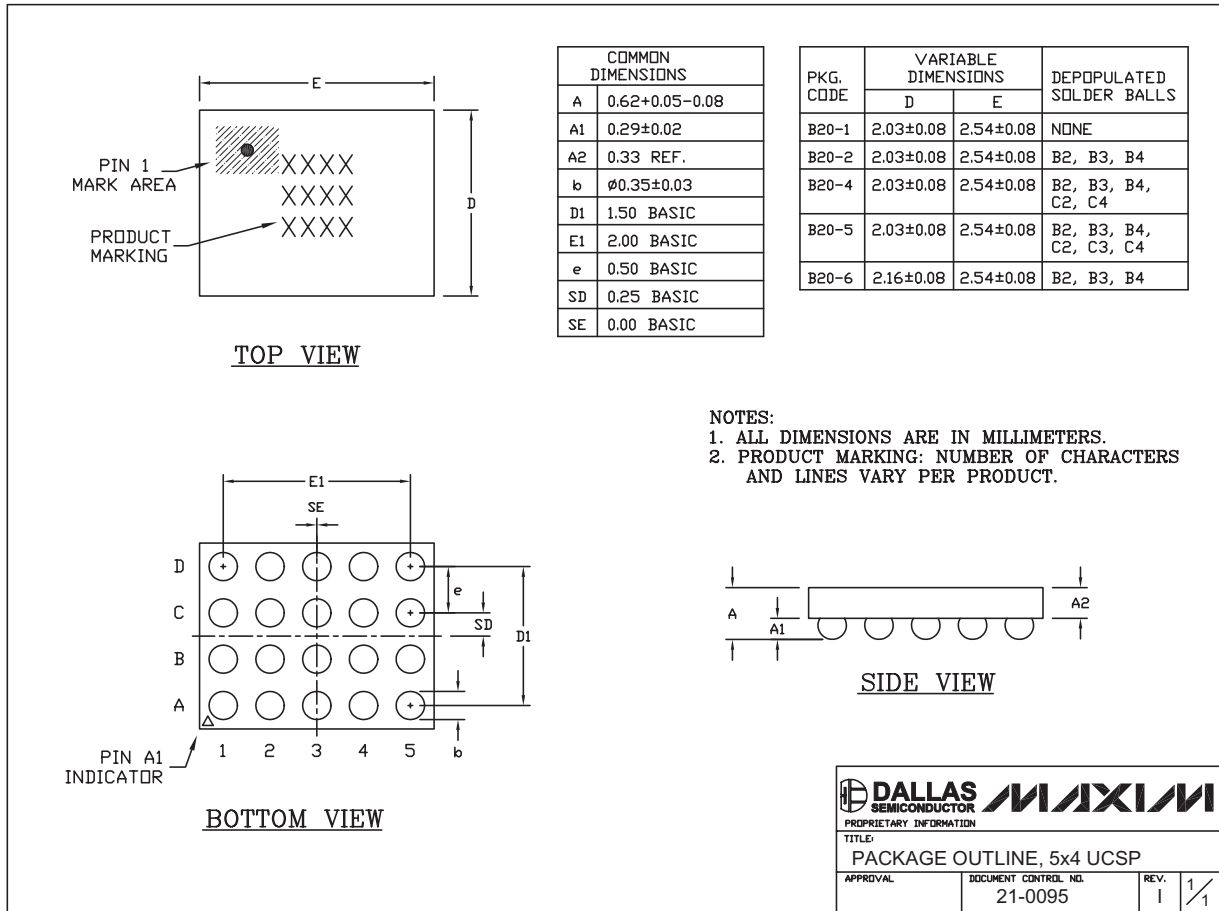
TRANSISTOR COUNT: 9394

PROCESS: BiCMOS

# USB On-the-Go Charge Pump with Switchable Pullup/Pulldown Resistors

## Package Information

(The package drawing(s) in this data sheet may not reflect the most current specifications. For the latest package outline information, go to [www.maxim-ic.com/packages](http://www.maxim-ic.com/packages).)



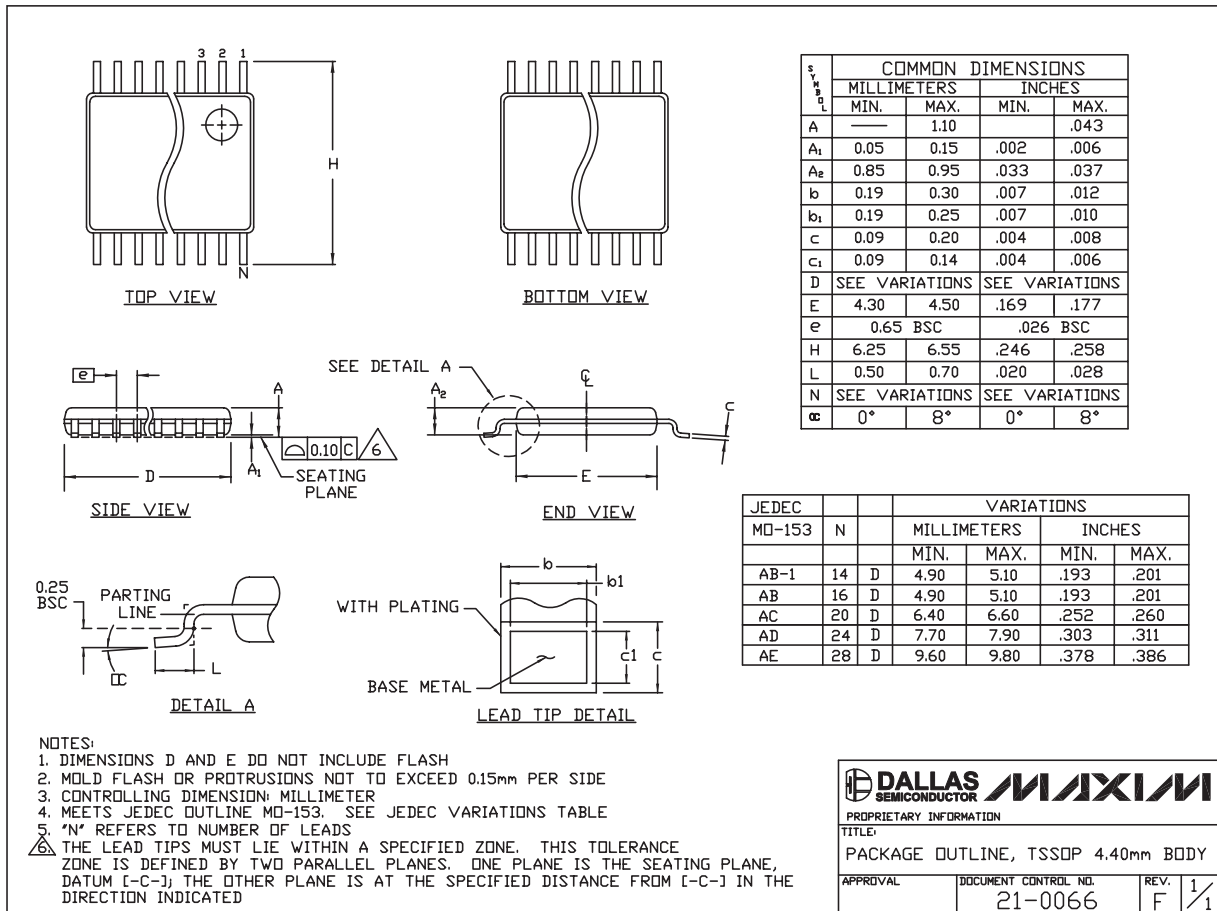
5x4 UCSP:EPS

# USB On-the-Go Charge Pump with Switchable Pullup/Pulldown Resistors

## Package Information (continued)

(The package drawing(s) in this data sheet may not reflect the most current specifications. For the latest package outline information, go to [www.maxim-ic.com/packages](http://www.maxim-ic.com/packages).)

**MAX3353E**



TSSOP4.40mm:EPS

Maxim cannot assume responsibility for use of any circuitry other than circuitry entirely embodied in a Maxim product. No circuit patent licenses are implied. Maxim reserves the right to change the circuitry and specifications without notice at any time.

**Maxim Integrated Products, 120 San Gabriel Drive, Sunnyvale, CA 94086 408-737-7600** \_\_\_\_\_ **21**