

Agilent HSDL-3220 IrDA[®] Data Compliant Low Power 4.0 Mbit/s Infrared Transceiver Data Sheet



Description

The HSDL-3220 is a new generation low profile high speed infrared transceiver module that provides interface between logic and IR signals for through-air, serial, half-duplex IR data-link. The module is fully compliant to IrDA Physical Layer specification version 1.4 low power from 9.6kbit/s to 4.0 Mbit/s (FIR) and is IEC825-Class 1 Eye Safe.

The HSDL-3220 can be shutdown completely to achieve very low power consumption. In the shutdown mode, the PIN diode will be inactive and thus producing very little photocurrent even under very bright ambient light. It is also designed to interface to input/output logic circuits as low as 1.8V. These features are ideal for mobile devices that require low power consumption.

Features

- Fully compliant to IrDA 1.4 physical layer low power specification from 9.6 kbit/s to 4.0 Mbit/s (FIR)
- Miniature package
 - Height: 2.5 mm
 - Width: 8.0 mm
 - Depth: 3.0 mm
- Typical link distance > 50 cm
- Guaranteed temperature performance, -25° to 70°C
- Critical parameters are guaranteed over temperature and supply voltage
- Low power consumption
 - Low shutdown current
 - Complete shutdown of TXD, RXD, and PIN diode
- Excellent EMI performance
- Vcc supply 2.7 to 3.6 Volts
- Interfacing with I/O logic circuits as low as 1.8 V
- Lead-free package
- LED stuck-high protection
- Designed to accommodate light loss with cosmetic windows
- IEC 825-class 1 eye safe

Applications

- Mobile telecom
 - Mobile phones
 - Smart phones
 - Pagers
- Data communication
 - Pocket PC handheld products
 - Personal digital assistants
 - Portable printers
- Digital imaging
 - Digital cameras
 - Photo-imaging printers
- Electronic wallet
- Small industrial & medical instrumentation
 - General data collection devices
 - Patient & pharmaceutical data collection devices

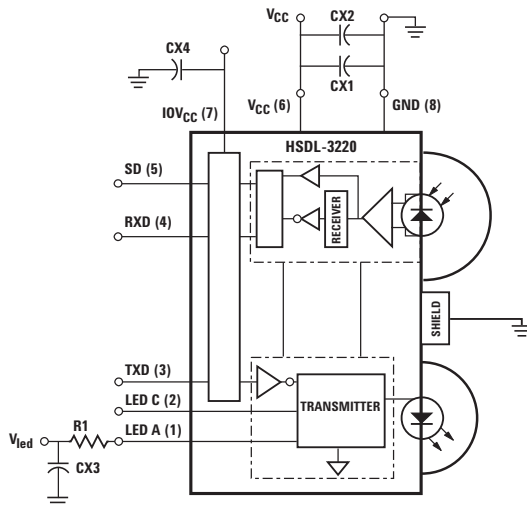


Figure 1. Functional block diagram of HSDL-3220.

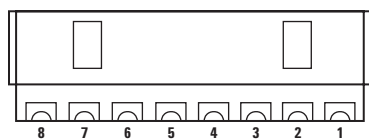


Figure 2. Rear view diagram with pinout.



Application Support Information

The Application Engineering Group is available to assist you with the application design

associated with the HSDL-3220 infrared transceiver module. You can contact them through your local sales representatives for additional details.

Marking Information

The unit is marked with 'yyww' on the shield:

yy = year

ww = work week

Order Information

| Part Number | Packaging Type | Package | Quantity |
|---------------|----------------|------------|----------|
| HSDL-3220-021 | Tape and Reel | Front View | 2500 |

I/O Pins Configuration Table

| Pin | Symbol | Description | I/O Type | Notes |
|-----|--------|-----------------------------|----------|-------|
| 1 | LED A | LED Anode | I | 1 |
| 2 | LED C | LED Cathode | | 2 |
| 3 | TXD | Transmit Data. Active High. | I | 3 |
| 4 | RXD | Receive Data. Active Low. | O | 4 |
| 5 | SD | Shutdown. Active High. | I | 5 |
| 6 | Vcc | Supply Voltage | | 6 |
| 7 | IOVcc | Input/Output ASIC Vcc | | 7 |
| 8 | GND | Ground | | 8 |
| - | Shield | EMI Shield | | 9 |

Recommended Application Circuit Components

| Component | Recommended Value | Notes |
|-----------|--|-------|
| R1 | 5.6Ω ± 5%, 0.25 watt for 2.7 ≤ Vled < 3.3V 10Ω ± 5%, 0.25 watt for 3.3 ≤ Vled < 4.2V 15Ω ± 5%, 0.25 watt for 4.2 ≤ Vled < 5.5V | |
| CX1, CX4 | 0.47 μF ± 20%, X7R Ceramic | 10 |
| CX2, CX3 | 6.8 μF ± 20%, Tantalum | 11 |

Notes:

1. Tied through external series resistor, R1, to regulated Vled from 2.7 to 5.5V. Please refer to table above for recommended series resistor value.
2. Internally connected to LED driver. Leave this pin unconnected.
3. This pin is used to transmit serial data when SD pin is low. If this pin is held high for longer than 50 μs, the LED is turned off. Do NOT float this pin.
4. This pin is capable of driving a standard CMOS or TTL load. No external pull-up or pull-down resistor is required. The pin is in tri-state when the transceiver is in shutdown mode. The receiver output echoes transmitted signal.
5. The transceiver is in shutdown mode if this pin is high for more than 400 μs. On falling edge of this signal, the state of the TXD pin sampled and used to set receiver low bandwidth (TXD=low) or high bandwidth (TXD=high) mode. Refer to the section "Bandwidth selection timing" for programming information. Do NOT float this pin.
6. Regulated, 2.7 to 3.6 Volts.
7. Connect to ASIC logic controller Vcc voltage or supply voltage. The voltage at this pin must be equal to or less than supply voltage.
8. Connect to system ground.
9. Connect to system ground via a low inductance trace. For best performance, do not connect directly to the transceiver pin GND.
10. CX1 must be placed within 0.7 cm of the HSDL-3220 to obtain optimum noise immunity.
11. In environments with noisy power supplies, including CX2, as shown in Figure 1, can enhance supply ripple rejection performance.

Bandwidth Selection Timing

The transceiver is in default SIR/MIR mode when powered on. User needs to apply the following programming sequence to both the SD and TXD inputs to enable the transceiver to operate at FIR mode.

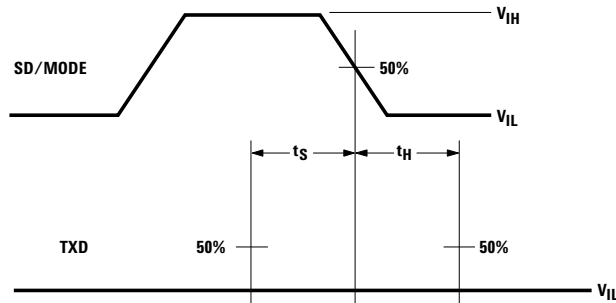


Figure 3. Bandwidth selection timing at SIR/MIR mode.

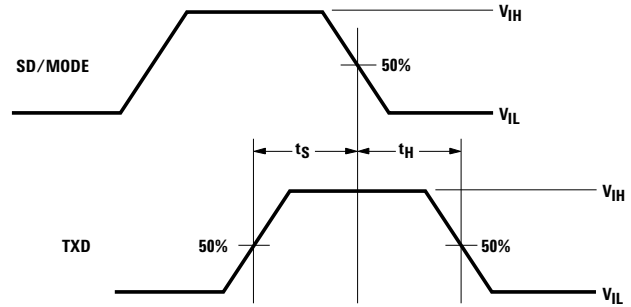


Figure 4. Bandwidth selection timing at FIR mode.

Setting the transceiver to SIR/MIR Mode (9.6 kbit/s to 1.152 Mbit/s)

1. Set SD/Mode input to logic HIGH
2. TXD input should remain at logic LOW
3. After waiting for $t_S \geq 25$ ns, set SD/Mode to logic LOW, the HIGH to LOW negative edge transition will determine the receiver bandwidth

4. Ensure that TXD input remains low for $t_H \geq 100$ ns, the receiver is now in SIR/MIR mode
5. SD input pulse width for mode selection should be > 50 ns.

Setting the transceiver to FIR (4.0 Mbit/s) Mode

1. Set SD/Mode input to logic HIGH

2. After SD/Mode input remains HIGH at > 25 ns, set TXD input to logic HIGH, wait $t_S \geq 25$ ns (from 50% of TXD rising edge till 50% of SD falling edge)
3. Then set SD/Mode to logic LOW, the HIGH to LOW negative edge transition will determine the receiver bandwidth
4. After waiting for $t_H \geq 100$ ns, set the TXD input to logic LOW
5. SD input pulse width mode selection should be > 50 ns.

Transceiver I/O Truth Table

| Inputs | | | Outputs | | |
|------------|-------------------------|------|---------|-----------|-------|
| TXD | Light Input to Receiver | SD | LED | RXD | Note |
| High | Don't Care | Low | On | Not Valid | |
| Low | High | Low | Off | Low | 12,13 |
| Low | Low | Low | Off | High | |
| Don't Care | Don't Care | High | Off | High | |

Notes:

12. In-band IrDA signals and data rates ≤ 4.0 Mbit/s
13. RXD logic low is a pulsed response. The condition is maintained for a duration dependent on pattern and strength of the incident intensity.

CAUTIONS: The BiCMOS inherent to the design of this component increases the component's susceptibility to damage from electrostatic discharge (ESD). It is advised that normal static precautions be taken in handling and assembly of this component to prevent damage and/or degradation which may be induced by ESD.

Absolute Maximum Ratings

For implementations where case to ambient thermal resistance is $\leq 50^{\circ}\text{C}/\text{W}$.

| Parameter | Symbol | Min. | Max. | Units | Conditions |
|-----------------------------|----------------------|------|------|--------------------|--|
| Storage Temperature | T_S | -40 | +100 | $^{\circ}\text{C}$ | |
| Operating Temperature | T_A | -25 | +70 | $^{\circ}\text{C}$ | |
| LED Anode Voltage | V_{LEDA} | 0 | 6.5 | V | |
| Supply Voltage | V_{CC} | 0 | 6.5 | V | |
| Input Voltage: TXD, SD/Mode | V_I | 0 | 6.5 | V | |
| Output Voltage: RXD | V_O | 0 | 6.5 | V | |
| DC LED Transmit Current | $I_{LED}(\text{DC})$ | | 50 | mA | |
| Average Transmit Current | $I_{LED}(\text{PK})$ | | 200 | mA | $\leq 90\ \mu\text{s}$ pulse width $\leq 25\%$ duty cycle |

Recommended Operating Conditions

| Parameter | Symbol | Min. | Typ. | Max. | Units | Conditions |
|--|------------|----------------------|------------------|------------|---------------------------|---|
| Supply Voltage | V_{CC} | 2.7 | | 3.6 | V | |
| Input/Output Voltage | IOV_{CC} | 1.8 | | V_{CC} | V | |
| Logic Input Voltage for TXD, SD/Mode | Logic High | V_{IH} | $IOV_{CC} - 0.5$ | IOV_{CC} | V | |
| | Logic Low | V_{IL} | 0 | 0.4 | V | |
| Receiver Input Irradiance | Logic High | $E_{IH, \text{min}}$ | | 0.0081 | mW/cm^2 | $9.6\text{ kbit/s} \leq$ in-band signals $\leq 1.152\text{ Mbit/s}^{[14]}$ |
| | | $E_{IH, \text{max}}$ | | 500 | mW/cm^2 | $1.152\text{ Mbit/s} <$ in-band signals $\leq 4.0\text{ Mbit/s}^{[14]}$ $9.6\text{ kbit/s} \leq$ in-band signals $\leq 4.0\text{ Mbit/s}^{[14]}$ |
| | Logic Low | E_{IL} | | 0.3 | $\mu\text{W}/\text{cm}^2$ | For in-band signals ^[14] |
| LED (Logic High) Current Pulse Amplitude | I_{LEDA} | | 150 | | mA | |
| Receiver Data Rate | | 0.0096 | | 4.0 | Mbit/s | |

Note :

14. An in-band optical signal is a pulse/sequence where the peak wavelength, λ_p , is defined as $850 \leq \lambda_p \leq 900\text{ nm}$, and the pulse characteristics are compliant with the IrDA Serial Infrared Physical Layer Link Specification v1.4.

Electrical and Optical Specifications

Specifications (Min. and Max. values) hold over the recommended operating conditions unless otherwise noted.

Unspecified test conditions may be anywhere in their operating range. All typical values (Typ.) are at 25°C, V_{CC} set to 3.0V and IOV_{CC} set to 1.8V unless otherwise noted.

| Parameter | Symbol | Min. | Typ. | Max. | Units | Conditions |
|---------------------------------------|---------------------------------|------------------|-------------------------|-------------------|-------|---|
| Receiver | | | | | | |
| Viewing Angle | 2θ | 30 | | | ° | |
| Peak Sensitivity Wavelength | λ _p | | 880 | | nm | |
| RXD Output Voltage | Logic High | V _{OH} | IOV _{CC} - 0.2 | IOV _{CC} | V | I _{OH} = -200 μA, EI ≤ 0.3 μW/cm ² |
| | Logic Low | V _{OL} | 0 | 0.4 | V | I _{OL} = 200 μA, EI ≥ 8.1 μW/cm ² |
| RXD Pulse Width (SIR) ^[15] | t _{PW} (SIR) | 1 | | 4.0 | μs | θ ≤ 15°, C _L = 9 pF |
| RXD Pulse Width (MIR) ^[16] | t _{PW} (MIR) | 100 | | 500 | ns | θ ≤ 15°, C _L = 9 pF |
| RXD Pulse Width (FIR) ^[16] | t _{PW} (FIR) | 80 | | 175 | ns | θ ≤ 15°, C _L = 9 pF |
| RXD Rise and Fall Times | t _r , t _f | | 60 | | ns | C _L = 9 pF |
| Receiver Latency Time ^[17] | t _L | | 25 | 50 | μs | |
| Receiver Wake Up Time ^[18] | t _W | | 50 | 100 | μs | |
| Transmitter | | | | | | |
| Radiant Intensity | IE _H | 10 | 45 | | mW/sr | I _{LEDA} = 150 mA, θ ≤ 15°, V _{TXD} ≥ V _{IH} , V _{SD} ≤ V _{IL} , Ta = 25°C |
| Viewing Angle | 2θ | 30 | | 60 | ° | |
| Peak Wavelength | λ _p | | 875 | | nm | |
| Spectral Line Half Width | Δλ | | 35 | | nm | |
| TXD Input Current | High | I _H | | 10 | μA | V _{TXD} ≥ V _{IH} |
| | Low | I _L | | 10 | μA | 0 ≤ V _{TXD} ≤ V _{IL} |
| LED ON Current | I _{LEDA} | | 150 | | mA | V _{TXD} ≥ V _{IH} , R1 = 5.6ohm, V _{Iled} = 3.0V |
| TXD Pulse Width (SIR) | t _{PW} (SIR) | 1.5 | 1.6 | 1.8 | μs | t _{PW} (TXD) = 1.6 μs at 115.2 kbit/s |
| TXD Pulse Width (MIR) | t _{PW} (MIR) | 148 | 217 | 260 | ns | t _{PW} (TXD) = 217 ns at 1.152 Mbit/s |
| TXD Pulse Width (FIR) | t _{PW} (FIR) | 115 | 125 | 135 | ns | t _{PW} (TXD) = 125 ns at 4.0 Mbit/s |
| Maximum Optical PW ^[19] | t _{PW(max.)} | | 50 | 100 | μs | |
| TXD Rise and fall Time (Optical) | t _r , t _f | | | 600 | ns | t _{PW} (TXD) = 1.4 μs at 115.2 kbit/s |
| | | | | 40 | ns | t _{PW} (TXD) = 125 ns at 4.0 Mbit/s |
| LED Anode On-State Voltage | V _{ON(LEDA)} | | 1.6 | 2.1 | V | I _{LEDA} = 150 mA, V _{TXD} ≥ V _{IH} |
| Transceiver | | | | | | |
| Supply Current | Shutdown | I _{CC1} | 0.1 | 1 | μA | V _{SD} ≥ V _{IH} , Ta = 25°C |
| | Idle | I _{CC2} | 1.8 | 3.0 | mA | V _{SD} ≤ V _{IL} , V _{TXD} ≤ V _{IL} , EI = 0 |

Notes:

- For in-band signals from 9.6 kbit/s to 115.2 kbit/s, where 9 μW/cm² ≤ EI ≤ 500 mW/cm².
- For in-band signals from 0.576 Mbit/s to 4.0 Mbit/s, where 22.5 μW/cm² ≤ EI ≤ 500 mW/cm².
- Latency time is defined as the time from the last TxD light output pulse until the receiver has recovered full sensitivity.
- Receiver wake up time is measured from V_{CC} power on or SD pin high to low transition to a valid RXD output.
- The maximum optical PW is the maximum time the LED remains on when the TXD is constantly high. This is to prevent long turn on time of the LED for eye safety protection.

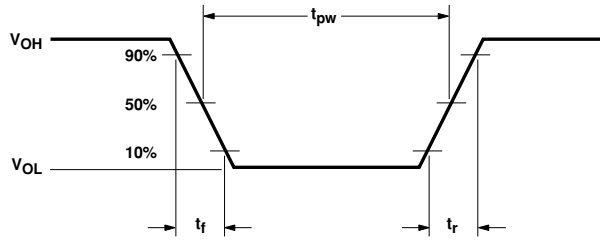


Figure 5. RxD output waveform.

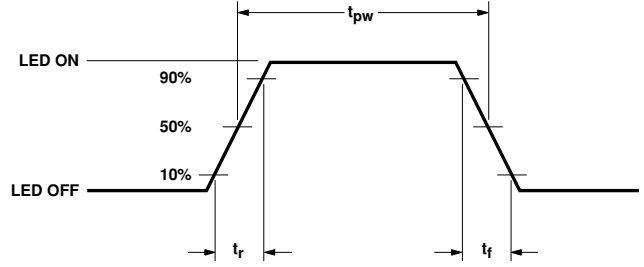


Figure 6. LED optical waveform.

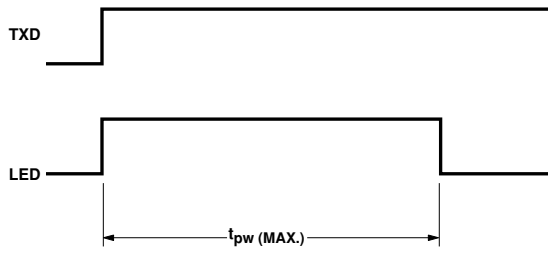


Figure 7. TxD "Stuck On" protection waveform.

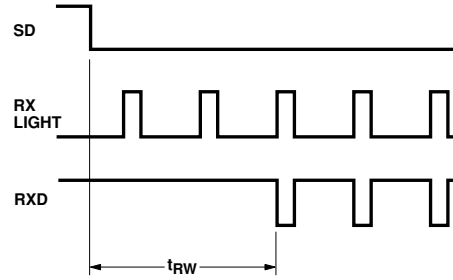


Figure 8. Receiver wakeup time waveform.

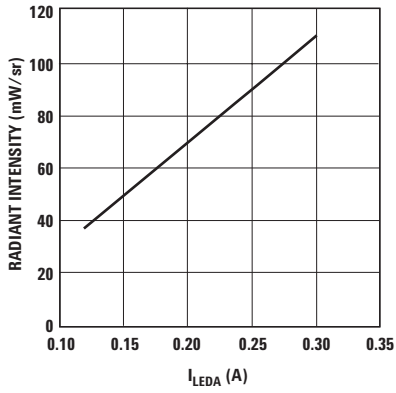


Figure 9. Radiant Intensity vs $I_{LED A}$.

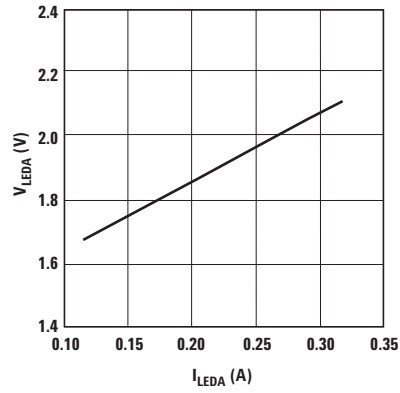
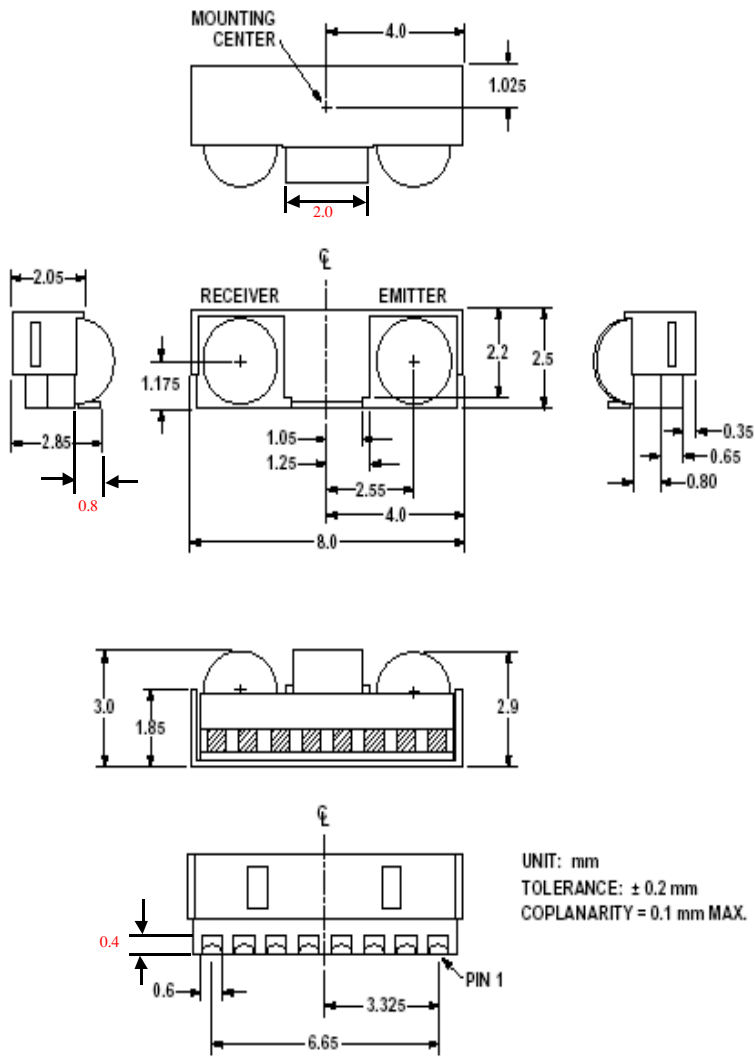
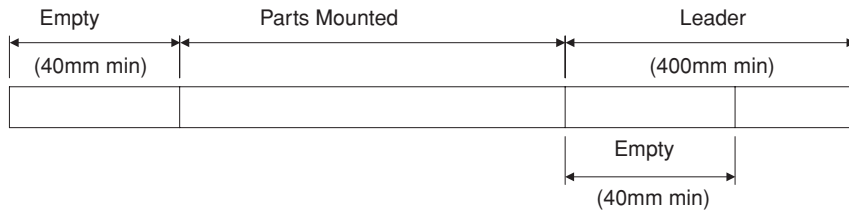
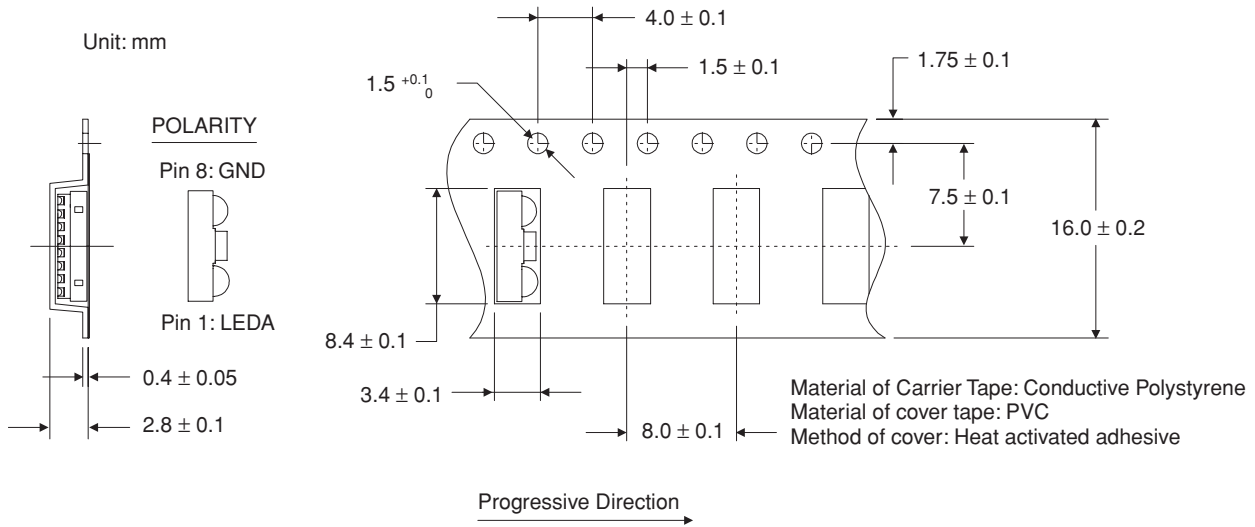


Figure 10. $V_{LED A}$ vs $I_{LED A}$.

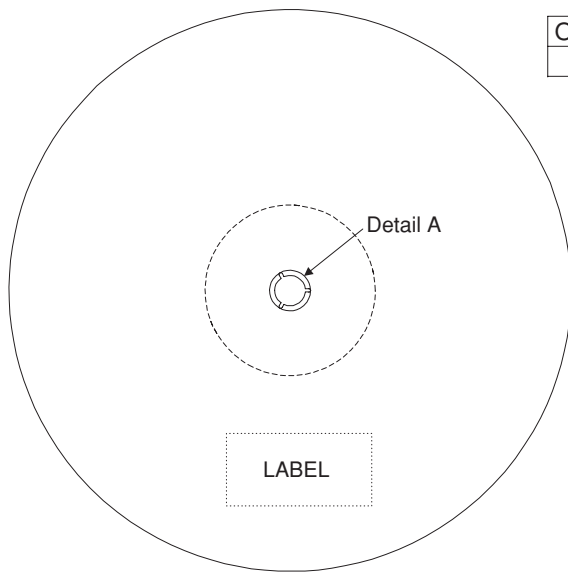
HSDL-3220 Package Dimensions



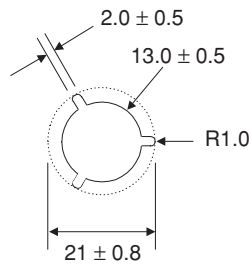
HSDL-3220 Tape and Reel Dimensions



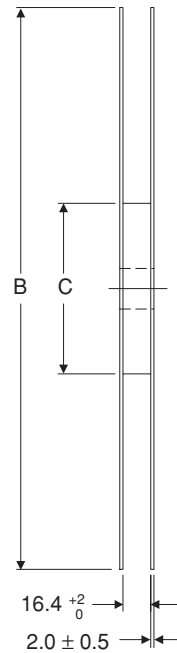
| Option # | "B" | "C" | Quantity |
|----------|-----|-----|----------|
| 021 | 330 | 80 | 2500 |



Unit: mm



Detail A



Note: The carrier tape is compliant to the packaging materials standards for ESD sensitive device, EIA-541

Moisture Proof Packaging

All HSDL-3220 options are shipped in moisture proof package. Once opened, moisture absorption begins.

This part is compliant to JEDEC Level 4.

Baking Conditions

If the parts are not stored in dry conditions, they must be baked before reflow to prevent damage to the parts.

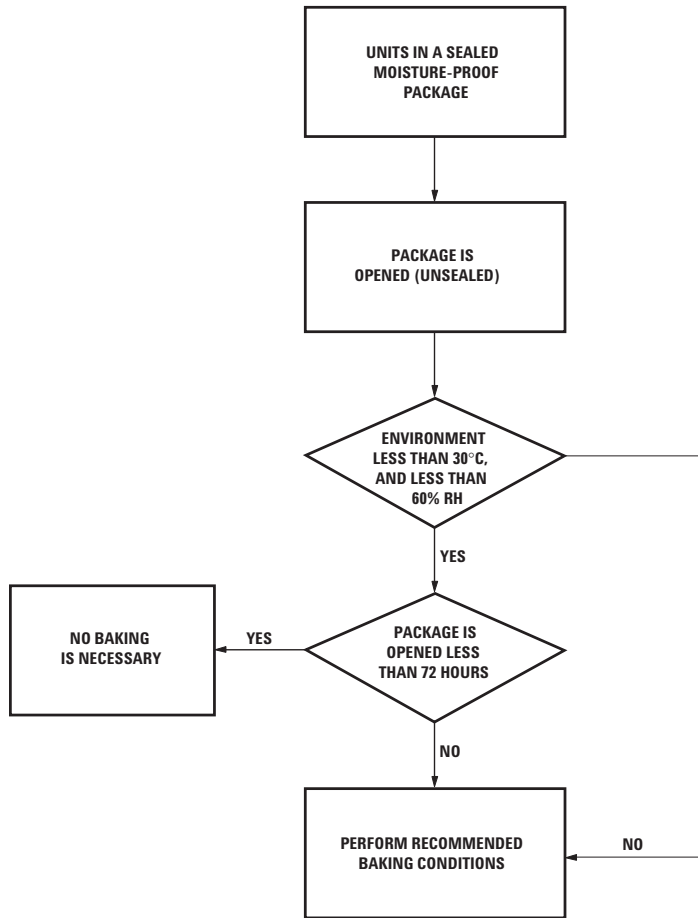


Figure 11. Baking conditions chart.

| Package | Temp. | Time |
|----------|-------|------------|
| In reels | 60°C | ≥ 48 hours |
| In bulk | 100°C | ≥ 4 hours |
| | 125°C | ≥ 2 hours |
| | 150°C | ≥ 1 hour |

Baking should only be done once.

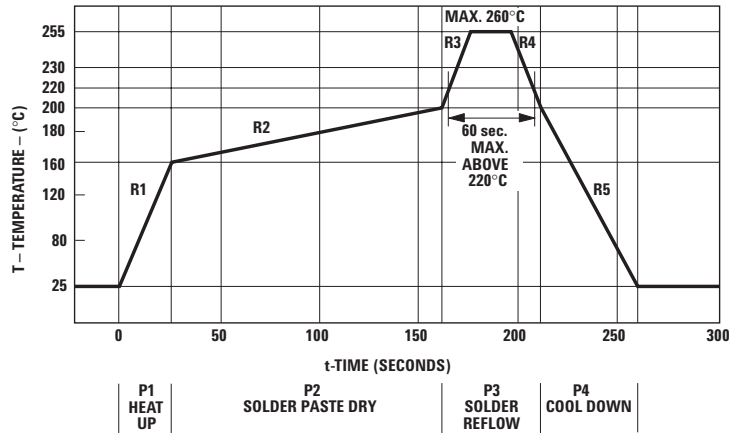
Recommended Storage Conditions

| | |
|---------------------|--------------|
| Storage Temperature | 10°C to 30°C |
| Relative Humidity | below 60% RH |

Time from Unsealing to Soldering

After removal from the bag, the parts should be soldered within three days if stored at the recommended storage conditions. If times longer than three days are needed, the parts must be stored in a dry box.

Recommended Reflow Profile



| Process Zone | Symbol | ΔT | Maximum $\Delta T/\Delta \text{time}$ |
|------------------|--------|--|---------------------------------------|
| Heat Up | P1, R1 | 25°C to 160°C | 4°C/s |
| Solder Paste Dry | P2, R2 | 160°C to 200°C | 0.5°C/s |
| Solder Reflow | P3, R3 | 200°C to 255°C (260°C at 10 seconds max) | 4°C/s |
| | P3, R4 | 255°C to 200°C | -6°C/s |
| Cool Down | P4, R5 | 200°C to 25°C | -6°C/s |

The reflow profile is a straight-line representation of a nominal temperature profile for a convective reflow solder process. The temperature profile is divided into four process zones, each with different $\Delta T/\Delta \text{time}$ temperature change rates. The $\Delta T/\Delta \text{time}$ rates are detailed in the above table. The temperatures are measured at the component to printed circuit board connections.

In **process zone P1**, the PC board and HSDL-3220 castellation pins are heated to a temperature of 160°C to activate the flux in the solder paste. The temperature ramp up rate, R1, is limited to 4°C per second to allow for even heating of both the PC board and HSDL-3220 castellations.

Process zone P2 should be of sufficient time duration (60 to 120 seconds) to dry the solder paste. The temperature is raised to a level just below the liquidus point of the solder, usually 200°C (392°F).

Process zone P3 is the solder reflow zone. In zone P3, the temperature is quickly raised above the liquidus point of solder to 255°C (491°F) for optimum results. The dwell time above the liquidus point of solder should be between 20 and 60 seconds. It usually takes about 20 seconds to assure proper coalescing of the solder balls into liquid solder and the formation of good solder connections. Beyond a dwell time of 60 seconds, the intermetallic

growth within the solder connections becomes excessive, resulting in the formation of weak and unreliable connections. The temperature is then rapidly reduced to a point below the solidus temperature of the solder, usually 200°C (392°F), to allow the solder within the connections to freeze solid.

Process zone P4 is the cool down after solder freeze. The cool down rate, R5, from the liquidus point of the solder to 25°C (77°F) should not exceed 6°C per second maximum. This limitation is necessary to allow the PC board and HSDL-3220 castellations to change dimensions evenly, putting minimal stresses on the HSDL-3220 transceiver.

Appendix A: SMT Assembly Application Note

Solder Pad, Mask and Metal Stencil Aperture

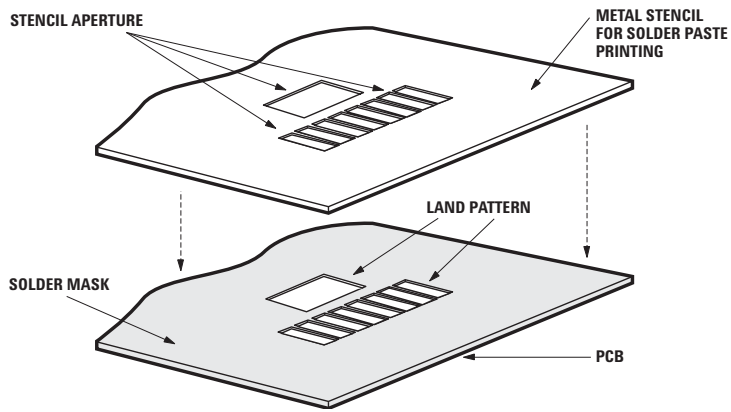


Figure 12. Stencil and PCBA.

Recommended Land Pattern

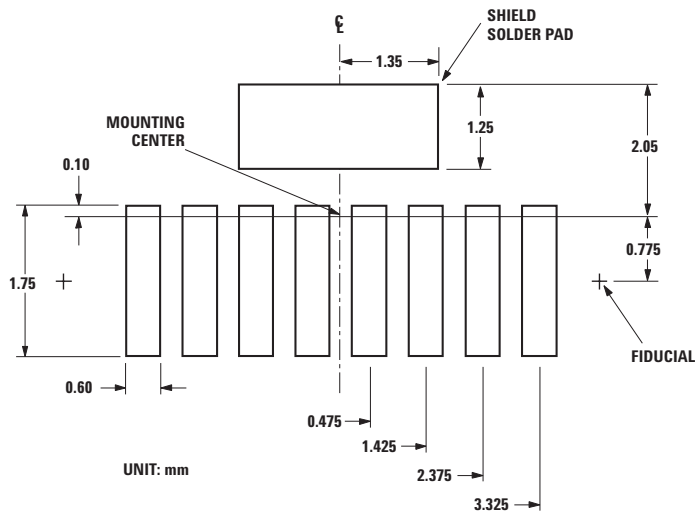


Figure 13. Stencil and PCBA.

Recommended Metal Solder Stencil Aperture

It is recommended that only a 0.152 mm (0.006 inches) or a 0.127 mm (0.005 inches) thick stencil be used for solder paste printing. This is to ensure adequate printed solder paste volume and no shorting. See the table below the drawing for combinations of metal stencil aperture and metal stencil thickness that should be used.

Aperture opening for shield pad is 2.7 mm x 1.25 mm as per land pattern.

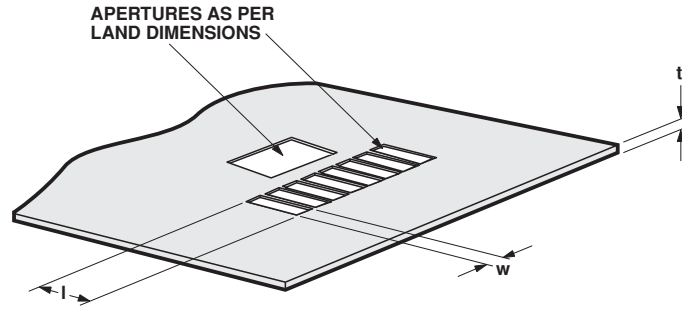


Figure 14. Solder stencil aperture.

| Stencil thickness, t (mm) | Aperture size (mm) | |
|---------------------------|--------------------|-------------|
| | length, l | width, w |
| 0.152 mm | 2.60 ± 0.05 | 0.55 ± 0.05 |
| 0.127 mm | 3.00 ± 0.05 | 0.55 ± 0.05 |

Adjacent Land Keepout and Solder Mask Areas

Adjacent land keep-out is the **maximum space** occupied by the unit relative to the land pattern. There should be no other SMD components within this area.

The minimum solder resist strip width required to avoid solder bridging adjacent pads is **0.2 mm**.

It is recommended that two fiducial crosses be placed at mid-length of the pads for unit alignment.

Note: Wet/Liquid Photo-Imageable solder resist/mask is recommended.

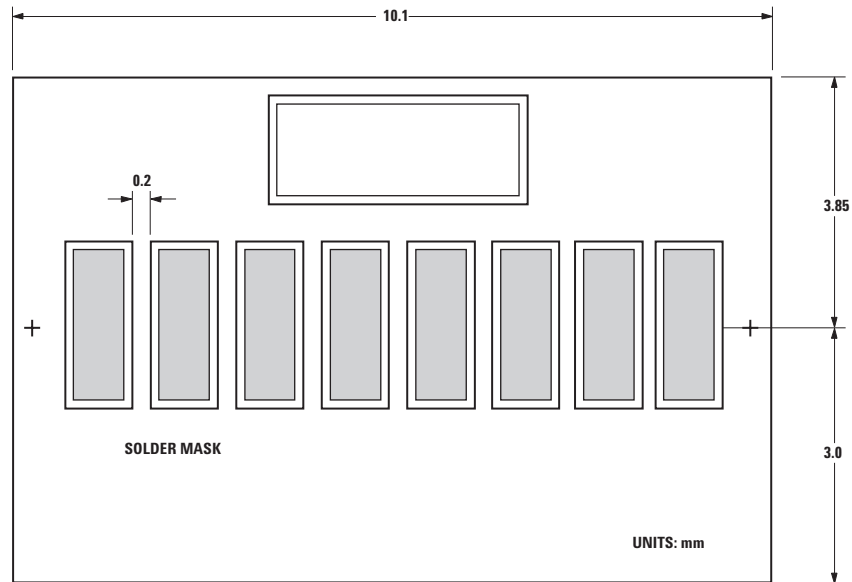


Figure 15. Adjacent land keepout and solder mask areas.

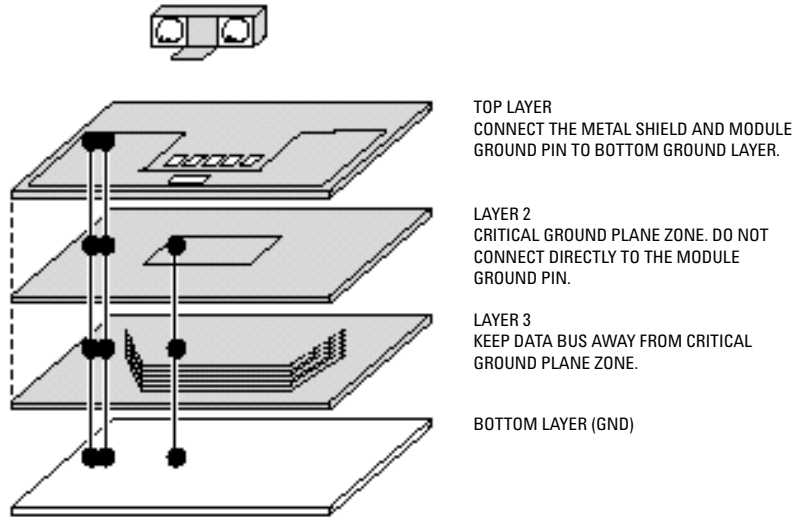
Appendix B: PCB Layout Suggestion

The following PCB layout guidelines should be followed to obtain a good PSRR and EM immunity resulting in good electrical performance. Things to note:

1. The ground plane should be continuous under the part, but should not extend under the shield trace.
2. The shield trace is a wide, low inductance trace back to the system ground. CX1, CX2, CX3, and CX4 are optional supply filter capacitors; they may be left out if a clean power supply is used.
3. Vled can be connected to either unfiltered or unregulated power supply. If Vled and Vcc share the same power supply, CX3 need not be used and the connections for CX1 and CX2 should be before the current limiting resistor R1. In a noisy environment, including capacitor CX2 can enhance supply rejection. CX1 is generally a ceramic capacitor of low inductance providing a wide frequency response while CX2 and CX3 are tantalum capacitors of big volume and fast frequency response. The use of a tantalum capacitor is more critical on the Vled line, which carries a high current. CX4 is an optional ceramic capacitor, similar to CX1, for the IOVcc line.

4. Preferably a multi-layered board should be used to provide sufficient ground plane. Use the layer underneath and near the transceiver

module as Vcc, and sandwich that layer between ground connected board layers. Refer to the diagram below for an example of a 4 layer board.



The area underneath the module at the second layer, and 3 cm in all directions around the module is defined as the critical ground plane zone. The ground plane should be maximized in this

zone. Refer to application note AN1114 or the Agilent IrDA Data Link Design Guide for details. The layout below is based on a 2-layer PCB.

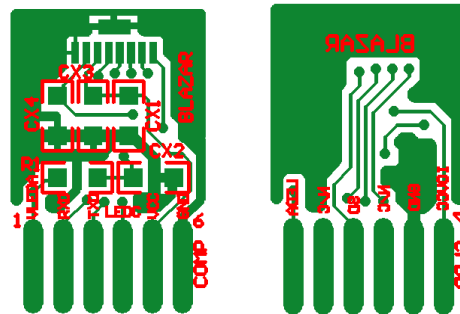


Figure 16. PCB layout suggestion.

Appendix C: General Application Guide for the HSDL-3220

Description

The HSDL-3220, a low-cost and small form factor infrared transceiver, is designed to address the mobile computing market such as PDAs, as well as small-embedded mobile products such as digital cameras and cellular phones. It is fully compliant to IrDA 1.4 low power specification from 9.6 kbit/s to 4.0 Mbit/s, and supports HP-SIR and TV Remote

modes. The design of the HSDL-3220 also includes the following unique features:

- Low passive component count.
- Shutdown mode for low power consumption requirement.
- Interface to input/output logic circuits as low as 1.8V

Selection of Resistor R1

Resistor R1 should be selected to provide the appropriate peak pulse LED current over different ranges of Vcc as shown in the table below.

Interface to Recommended I/O chips

The HSDL-3220's TXD data input is buffered to allow for CMOS drive levels. No peaking circuit or capacitor is required. Data rate from 9.6 kbit/s up to 4.0 Mbit/s is available at the RXD pin.

The block diagram below shows how the IR port fits into a mobile phone and PDA platform.

| Recommended R1 | Vcc | Intensity | Minimum Peak Pulse LED Current |
|----------------|-------|-----------|--------------------------------|
| 5.6Ω | 3.0 V | 45 mW/sr | 150 mA |

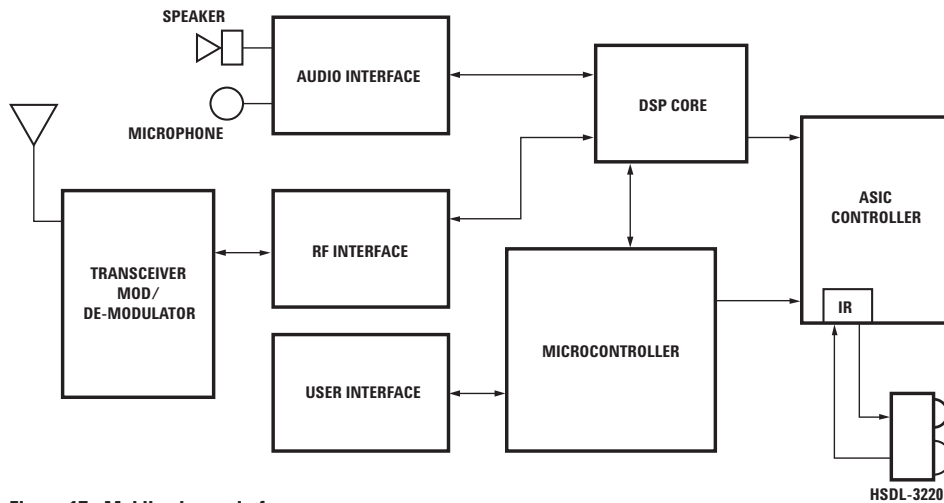


Figure 17. Mobile phone platform.

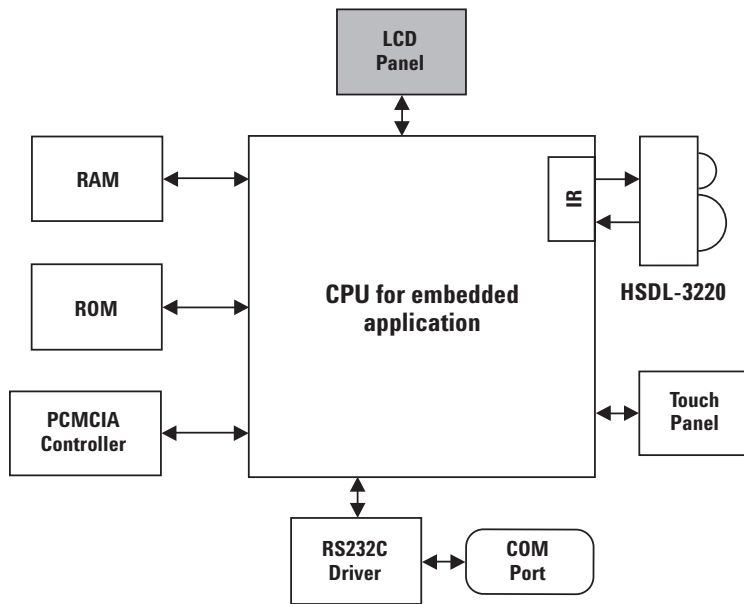


Figure 18. PDA platform.

The link distance testing was done using typical HSDL-3220 units with SMC's FDC37C669 and FDC37N769 Super I/O controllers. An IR link distance of up to 50 cm was demonstrated for SIR and FIR speeds.

Appendix D: Window Designs for HSDL-3220

Optical port dimensions for HSDL-3220

To ensure IrDA compliance, some constraints on the height and width of the window exist. The minimum dimensions ensure that the IrDA cone angles are met without vignetting. The maximum dimensions minimize the effects of stray light. The minimum size corresponds to a cone angle of 30° and the maximum size corresponds to a cone angle of 60°.

In the figure below, X is the width of the window, Y is the

height of the window and Z is the distance from the HSDL-3220 to the back of the window. The distance from the center of the LED lens to the center of the photodiode lens, K, is 5.1mm. The equations for computing the window dimensions are as follows:

$$X = K + 2*(Z+D)*\tan A$$

$$Y = 2*(Z+D)*\tan A$$

The above equations assume that the thickness of the window is negligible compared to the distance of the module from the back of the window (Z). If they are

comparable, Z' replaces Z in the above equation. Z' is defined as $Z' = Z + t/n$

where 't' is the thickness of the window and 'n' is the refractive index of the window material.

The depth of the LED image inside the HSDL-3220, D, is 3.17 mm. 'A' is the required half angle for viewing. For IrDA compliance, the minimum is 15° and the maximum is 30°. Assuming the thickness of the window to be negligible, the equations result in the following tables and graphs.

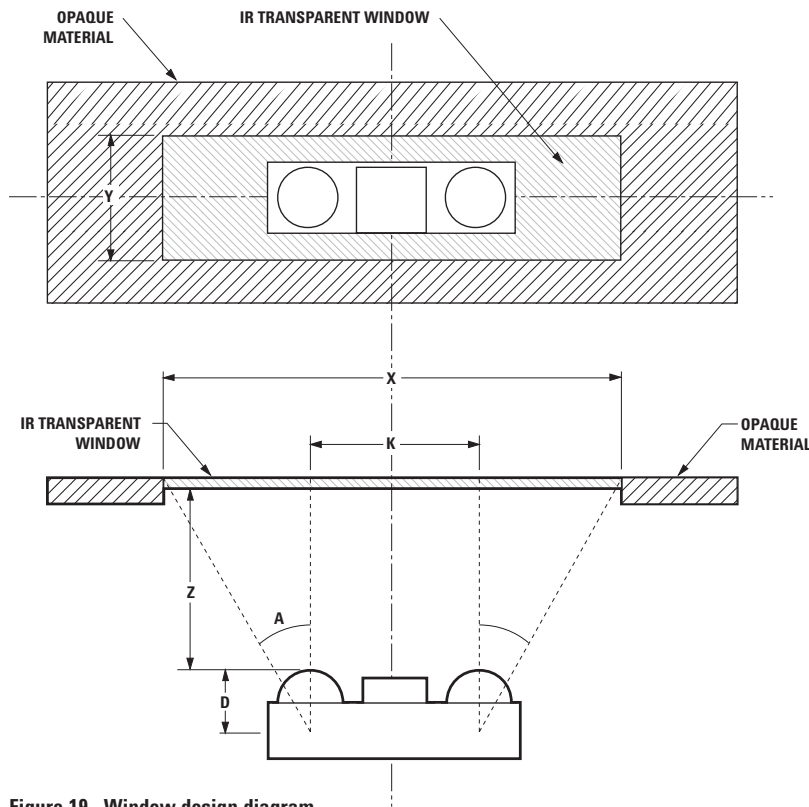


Figure 19. Window design diagram.

| Module Depth (z) mm | Aperture Width (x, mm) | | Aperture Height (y, mm) | |
|------------------------|------------------------|-------|-------------------------|------|
| | Max. | Min. | Max. | Min. |
| 0 | 8.76 | 6.80 | 3.66 | 1.70 |
| 1 | 9.92 | 7.33 | 4.82 | 2.33 |
| 2 | 11.07 | 7.87 | 5.97 | 2.77 |
| 3 | 12.22 | 8.41 | 7.12 | 3.31 |
| 4 | 13.38 | 8.94 | 8.28 | 3.84 |
| 5 | 14.53 | 9.48 | 9.43 | 4.38 |
| 6 | 15.69 | 10.01 | 10.59 | 4.91 |
| 7 | 16.84 | 10.55 | 11.74 | 5.45 |
| 8 | 18.00 | 11.09 | 12.90 | 5.99 |
| 9 | 19.15 | 11.62 | 14.05 | 6.52 |

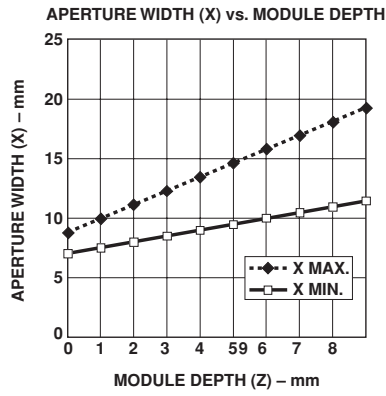


Figure 20. Aperture width (X) vs. module depth.

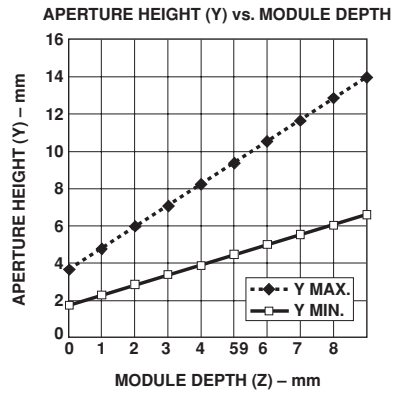


Figure 21. Aperture height (Y) vs. module depth.

Window Material

Almost any plastic material will work as a window material. Polycarbonate is recommended. The surface finish of the plastic should be smooth, without any texture. An IR filter dye may be used in the window to make it look black to the eye, but the total optical loss of the window should be 10% or less for best optical performance. Light loss should be measured at 875 nm. The recommended plastic materials for use as a cosmetic window are available from General Electric Plastics.

Shape of the Window

From an optics standpoint, the window should be flat. This ensures that the window will not alter either the radiation pattern of the LED, or the receive pattern of the photodiode.

If the window must be curved for mechanical or industrial design reasons, place the same curve on the back side of the window that has an identical radius as the front side. While this will not completely eliminate the lens effect of the front curved surface, it will significantly reduce the effects. The amount of change in

the radiation pattern is dependent upon the material chosen for the window, the radius of the front and back curves, and the distance from the back surface to the transceiver. Once these items are known, a lens design can be made which will eliminate the effect of the front surface curve.

The following drawings show the effects of a curved window on the radiation pattern. In all cases, the center thickness of the window is 1.5 mm, the window is made of polycarbonate plastic, and the distance from the transceiver to the back surface of the window is 3 mm.

Recommended Plastic Materials:

| Material # | Light Transmission | Haze | Refractive Index |
|------------|--------------------|------|------------------|
| Lexan 141 | 88% | 1% | 1.586 |
| Lexan 920A | 85% | 1% | 1.586 |
| Lexan 940A | 85% | 1% | 1.586 |

Note: 920A and 940A are more flame retardant than 141.

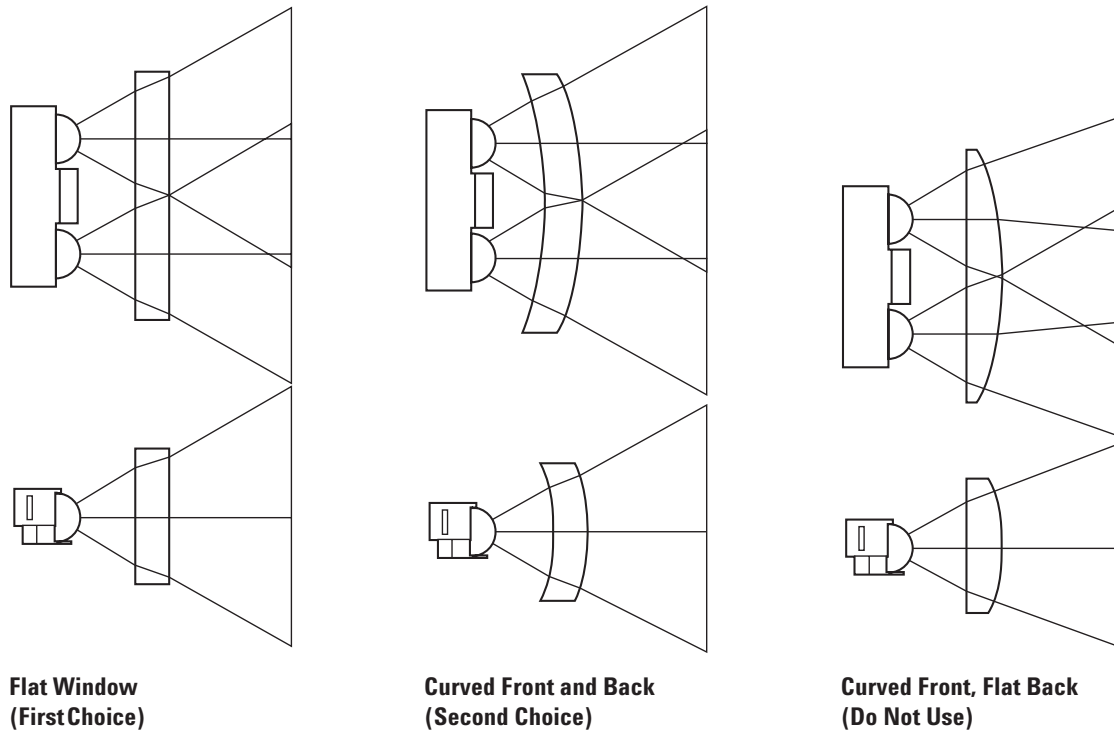


Figure 22. Shape of windows.

www.agilent.com/semiconductors

For product information and a complete list of distributors, please go to our web site.

For technical assistance call:

Americas/Canada: +1 (800) 235-0312 or
(916) 788-6763

Europe: +49 (0) 6441 92460

China: 10800 650 0017

Hong Kong: (65) 6756 2394

India, Australia, New Zealand: (65) 6755 1939

Japan: (+81 3) 3335-8152(Domestic/International), or
0120-61-1280(Domestic Only)

Korea: (65) 6755 1989

Singapore, Malaysia, Vietnam, Thailand, Philippines,
Indonesia: (65) 6755 2044

Taiwan: (65) 6755 1843

Data subject to change.

Copyright © 2003 Agilent Technologies, Inc.

December 9, 2003

5989-0054EN



Agilent Technologies