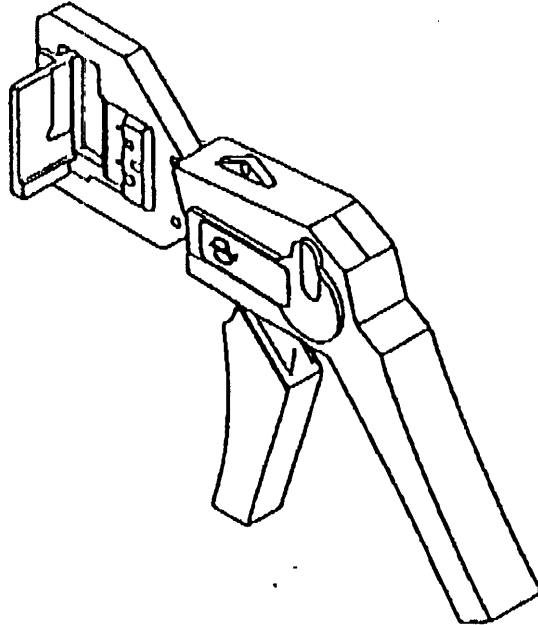


69008-1080
= 329 6957



HANDTOOL

PART No. 69008-1080



DESCRIPTION

Parallel Action Handtool with cable guide.

FEATURES

1. Terminates Molex connectors (Eng No.) 90327 and 90584.
2. Designed for prototype: Small batch and field repair applications.
3. Daisy Chain and Jumper harnesses can be made on this handtool with a small amount of adjustment.

SPECIFICATION

SIZE: 260mm x 150mm x 50mm

WEIGHT: 0.75Kg

FTD Sue P1/1