

PLEASE CHECK WWW.MOLEX.COM FOR LATEST PART INFORMATION

Part Number: [0479890232](#)
Status: **Active**
Description: 1.00mm (.039") by 1.00mm (.039") Pitch rPGA 988A Notebook PC CPU Socket, with Pick-and-Place Cover, Hard Tray Packaging, 988 Circuits, Lead free

Documents:

[Drawing \(PDF\)](#) [RoHS Certificate of Compliance \(PDF\)](#)
[Product Specification PS-47989-001 \(PDF\)](#)

General

Product Family	Processor Sockets
Series	47989
Comments	Pick-and-Place Cap
Component Type	Socket
Product Name	rPGA988A, rPGA989

Physical

Circuits (Loaded)	988
Color - Resin	Black, Natural
Durability (mating cycles max)	30
Material - Metal	Copper Alloy
Material - Plating Mating	Gold
Material - Plating Termination	Copper, Silver, Tin
Material - Resin	High Temperature Thermoplastic
Packaging Type	Tray
Pitch - Mating Interface (in)	0.039 In
Pitch - Mating Interface (mm)	1.00 mm
Plating min: Mating (µin)	15
Plating min: Mating (µm)	0.38
Temperature Range - Operating	-20°C to +90°C
Termination Interface: Style	Solder or Weld

Electrical

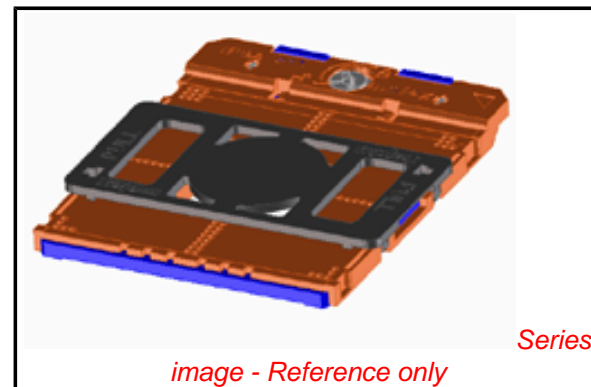
Current - Maximum per Contact	.5A
Voltage - Maximum	5V

Material Info

Reference - Drawing Numbers

Packaging Specification	PK-47989-002
Product Specification	PS-47989-001
Sales Drawing	SD-47989-001

Intel and Nehalem and relevant names are either trademarks or registered trademarks of Intel Corporation



EU RoHS

**ELV and RoHS
Compliant**
**REACH SVHC
Not Reviewed**
**Halogen-Free
Status
Not Reviewed**

China RoHS



Need more information on product environmental compliance?

Email productcompliance@molex.com
 For a multiple part number RoHS Certificate of Compliance, [click here](#)

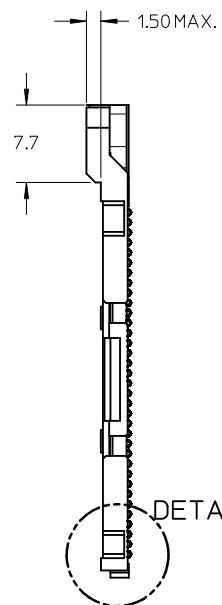
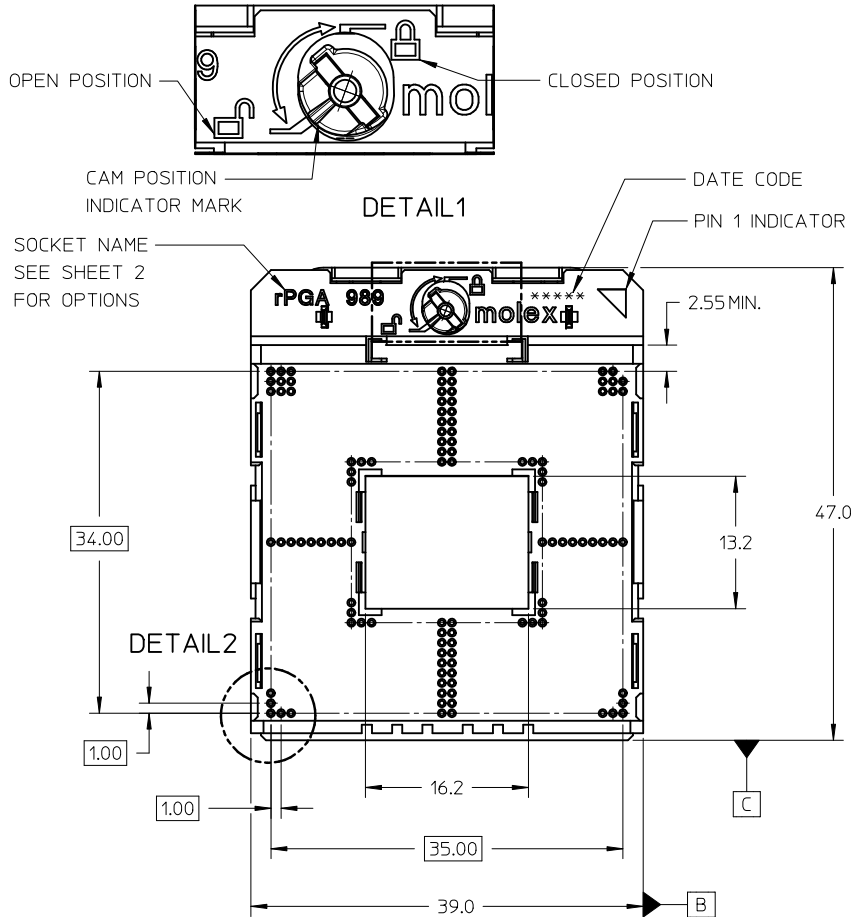
Please visit the [Contact Us](#) section for any non-product compliance questions.

Search Parts in this Series

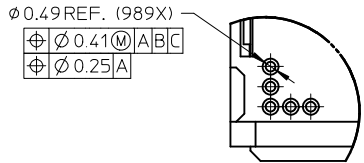
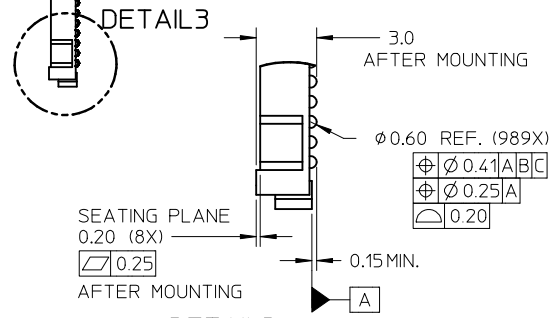
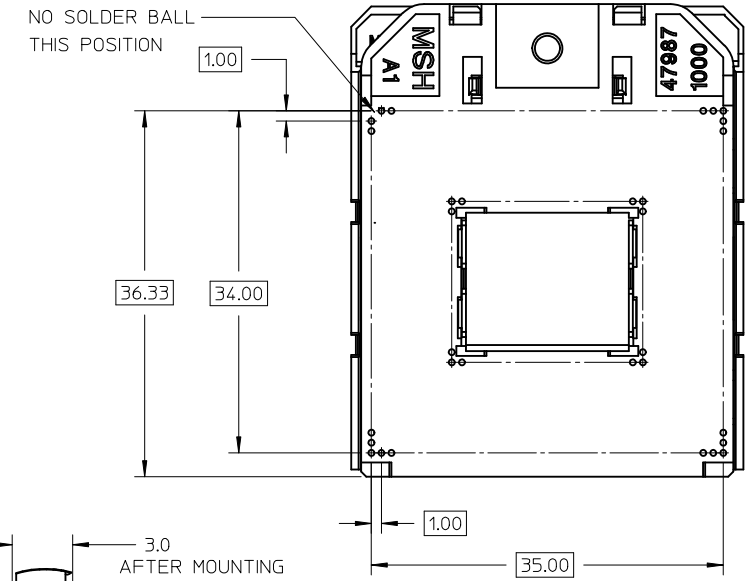
[47989Series](#)

Mates With

Intel* Nehalem Processor



- NOTES:
- 1) THIS SOCKET COMPLIES WITH ALL SPECIFICATIONS AND PERFORMANCE REQUIREMENTS FOR INTEL rPGA98X SERIES CPU PROCESSORS.
 - 2) SOCKET SHOWN IN OPEN POSITION.
 - 3) SEE SHEET 2 FOR DETAILS PERTAINING TO KEYING, MATERIAL AND PACKAGING OPTIONS.
 - 4) THIS PRODUCT SERIES COMPLIANT TO RoHS DIRECTIVE 2002/95/EC AND ELV DIRECTIVE 2000/53/EC.

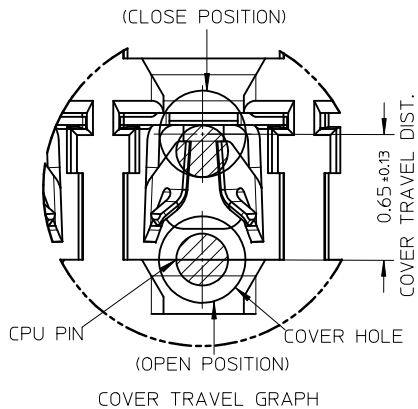
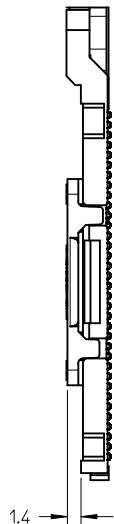
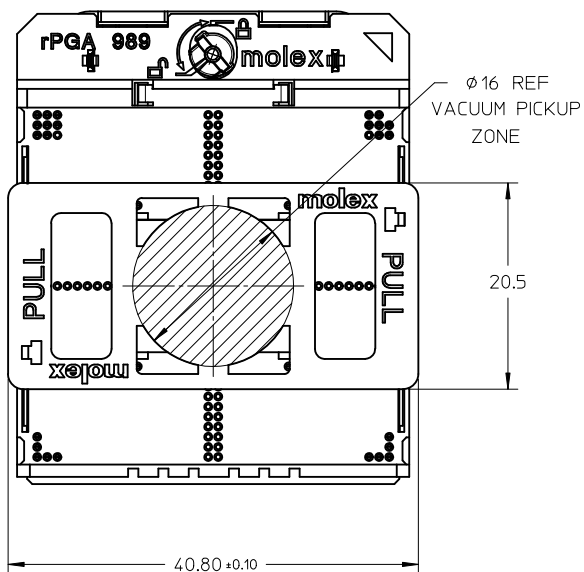


DETAIL 2

ENTER DESCRIPTION EC NO: SH2010-0084 DRWN: JZHANG11 CHKD: 2009/09/25 APPR: WEDENG 2009/10/12	QUALITY SYMBOLS $F_A=0$ $F_C=0$ $F_P=0$	GENERAL TOLERANCES (UNLESS SPECIFIED)		DIMENSION STYLE MM ONLY	SCALE 2:1	DESIGN UNITS METRIC	THIRD ANGLE PROJECTION
	4 PLACES \pm --- \pm --- 3 PLACES \pm --- \pm --- 2 PLACES ± 0.10 \pm --- 1 PLACE ± 0.20 \pm --- ANGULAR $\pm 2^\circ$	mm INCH DRAWN BY QWFANG CHECKED BY JKACHLIC APPROVED BY CL IANG DATE 2008/04/25 DATE 2008/05/29 DATE 2008/05/29	TITLE RPGA989 SOCKET ASSEMBLY	MATERIAL NO. SEE TABLE	MOLEX INCORPORATED DOCUMENT NO. SD-47989-001	SHEET NO. 1 OF 3	
DRAFT WHERE APPLICABLE MUST REMAIN WITHIN DIMENSIONS	SIZE A3	THIS DRAWING CONTAINS INFORMATION THAT IS PROPRIETARY TO MOLEX INCORPORATED AND SHOULD NOT BE USED WITHOUT WRITTEN PERMISSION					

10 9 8 7 6 5 4 3 2 1

REMOVEABLE PICK & PLACE CAP



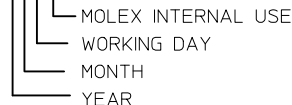
DETAIL 40:1

NOTES:

1) MATERIALS:

MOLDED COMPONENTS: LIQUID CRYSTAL POLYMER (LCP) UL 94V-0
 BASE HOUSING COLOR: BLACK
 COVER COLOR: NATURAL
 MYLAR(POLYIMIDE; COLOR:ORANGE) OR PnP COVER(LCP; COLOR: BLACK)
 FOR PICK & PLACE.
 CONTACTS: HIGH STRENGTH COPPER ALLOY
 PLATING: 0.38um GOLD IN CONTACT AREA, 1.3um NICKEL OVERALL
 CAM COMPONENTS: STAINLESS STEEL
 SOLDER BALL: LEAD-FREE BALL SnAg3.0Cu0.5

2) DATE CODE *****

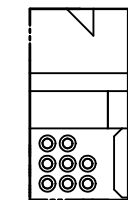
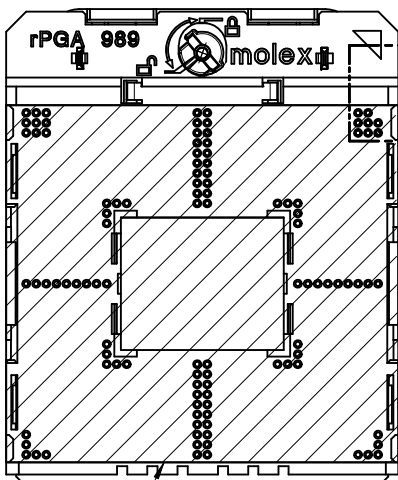


3) PRODUCT SPECIFICATION 47989-001 APPLIES

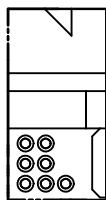
4) PACKAGING SPECIFICATION: PK-47989-001 (TAPE & REEL)
 PK-47989-002 (HARD TRAY)

SOCKET KEYING OPTIONS

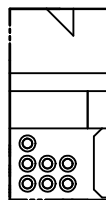
MYLAR PICK & PLACE OPTION



rPGA989
47989-01**



rPGA988A
47989-02**

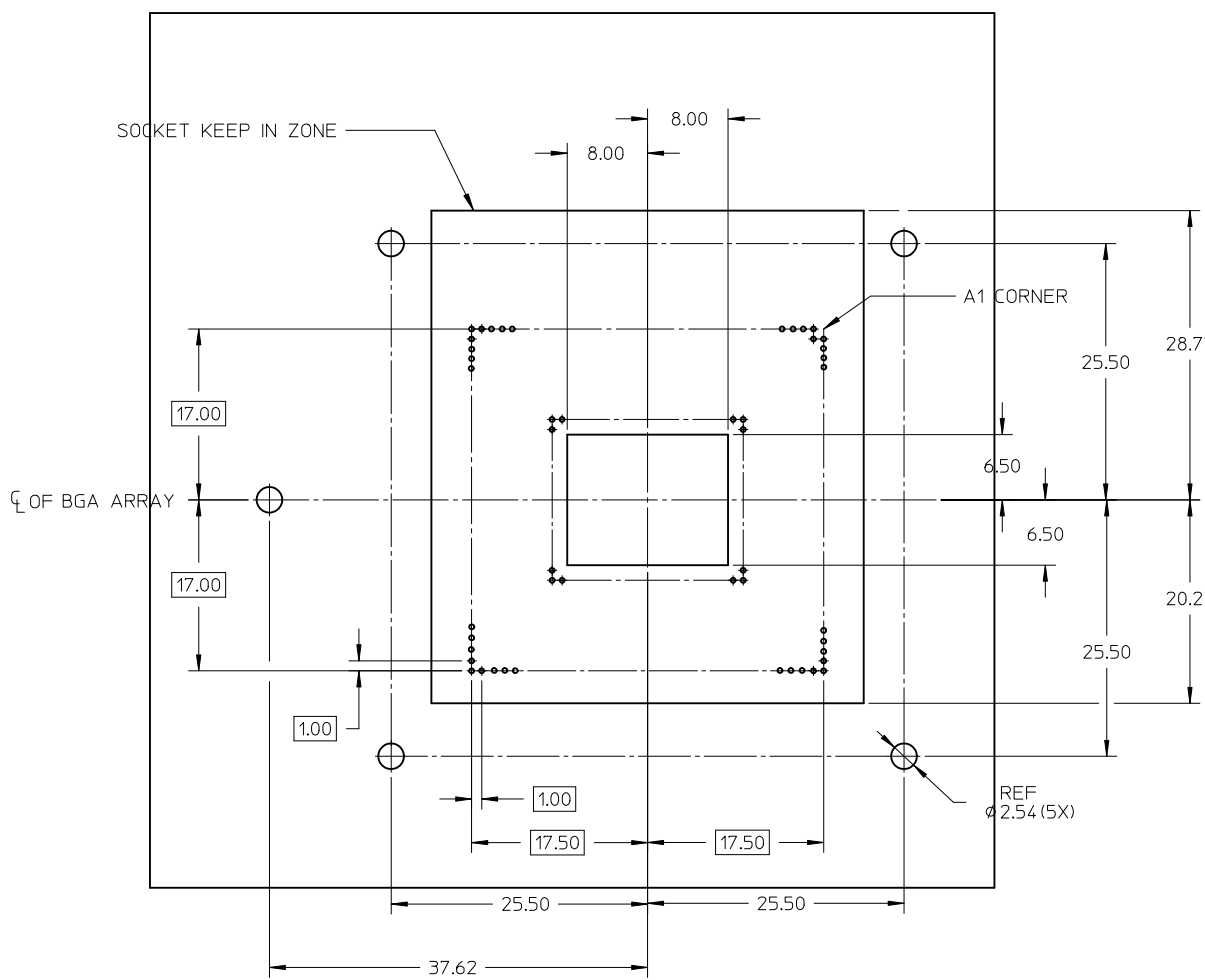


rPGA988B
47989-03**

PART NUMBER	PICK UP TYPE		PACKAGE TYPE	
	MYLAR	CAP	T&R	HARD TRAY
47989-0112	◆			◆
47989-0122	◆		◆	
47989-0132		◆		◆
47989-0142		◆	◆	
47989-0212	◆			◆
47989-0222	◆		◆	
47989-0232		◆		◆
47989-0242		◆	◆	
47989-0312	◆			◆
47989-0322	◆		◆	
47989-0332		◆		◆
47989-0342		◆	◆	

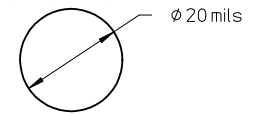
ENTER DESCRIPTION EC NO: SHZ010-0084 DRWN: JZHANG11 CHKD: APPR: WFDENG 2009/09/25 2009/09/25 2009/10/12	QUALITY SYMBOLS $F_A=0$ $F_G=0$ $F_P=0$	GENERAL TOLERANCES (UNLESS SPECIFIED)		DIMENSION STYLE		SCALE	DESIGN UNITS	THIRD ANGLE PROJECTION			
				MM ONLY		2:1	METRIC				
				mm	INCH	DRAWN BY	DATE	TITLE			
						QWFANG	2008/04/25	RPGA989 SOCKET ASSEMBLY			
A	DESCRIPTION REV	4 PLACES ± --- ± ---		CHECKED BY		MOLEX INCORPORATED SD-47989-001					
		3 PLACES ± --- ± ---		DATE							
		2 PLACES ± 0.10 ± ---		APPROVED BY		DOCUMENT NO. SHEET NO.					
		1 PLACE ± 0.20 ± ---		DATE							
ANGULAR ± 2 °		DRAFT WHERE APPLICABLE MUST REMAIN WITHIN DIMENSIONS		CL IANG		2008/05/29		2 OF 3			
		SEE TABLE		MATERIAL NO.		THIS DRAWING CONTAINS INFORMATION THAT IS PROPRIETARY TO MOLEX INCORPORATED AND SHOULD NOT BE USED WITHOUT WRITTEN PERMISSION					

9 8 7 6 5 4 3 2 1

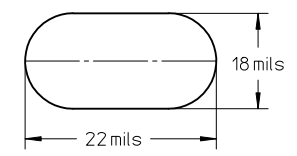


NOTES:
shape pada of PCB are recommended

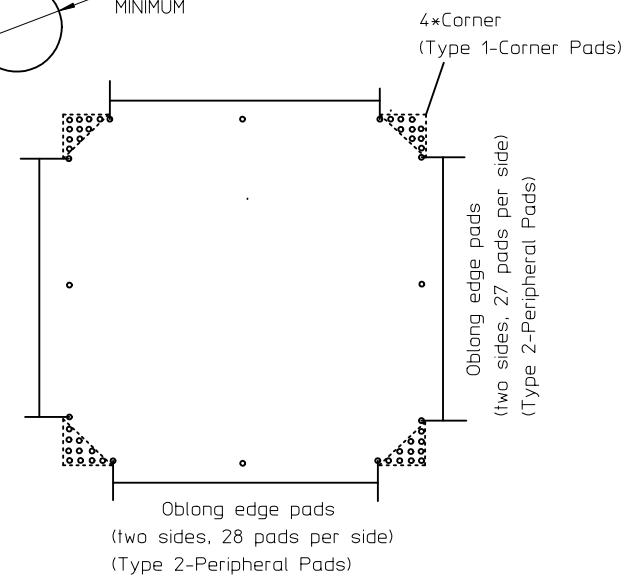
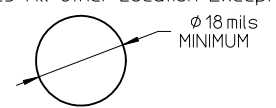
TYPE1-Corner Pads



TYPE2-Peripheral Pads(Oblong-shape pada are recommended)



TYPE3-All Other Location Except for those of Type1 and Type2 Locations)



MOTHERBOARD KEEP IN ZONE (KIZ)

ENTER DESCRIPTION EC NO: SH2010-0084 DRWN: JZHANG11 CHKD: 2009/09/25 APPR: WFDENG 2009/10/12	QUALITY SYMBOLS	GENERAL TOLERANCES (UNLESS SPECIFIED)		DIMENSION STYLE		SCALE	DESIGN UNITS	THIRD ANGLE PROJECTION		
	$F_A = 0$	mm	INCH	MM ONLY		2:1	METRIC			
	$F_C = 0$	4 PLACES	± ---	± ---	DRAWN BY	DATE	TITLE			
	$F_P = 0$	3 PLACES	± ---	± ---	QWFANG	2008/04/25	RPGA989 SOCKET ASSEMBLY			
	2 PLACES	± 0.10	± ---	CHECKED BY	DATE					
	1 PLACE	± 0.20	± ---	JKACH LIC	2008/05/29					
	ANGULAR ± 2 °				APPROVED BY	DATE				
	DRAFT WHERE APPLICABLE MUST REMAIN WITHIN DIMENSIONS				CL IANG	2008/05/29	MOLEX INCORPORATED			
					MATERIAL NO.	SEE TABLE	DOCUMENT NO.		SHEET NO.	
					SIZE	THIS DRAWING CONTAINS INFORMATION THAT IS PROPRIETARY TO MOLEX INCORPORATED AND SHOULD NOT BE USED WITHOUT WRITTEN PERMISSION				
					A3	SD-47989-001		3 OF 3		