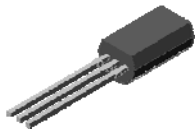
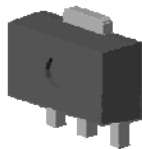

**TO-92**

**TO-92L**

**SOT-89**

### ORDERING INFORMATION

Product	Marking	Package
SN79Lxx	79Lxx	TO-92
SN79LxxL	79Lxx	TO-92L
SN79LxxF	79Lxx	SOT-89

#### ▲ Marking Detail Information



① Device Code

② Grade & Year & Week Code

### Description

The SN79Lxxx series are three-terminal Negative regulators providing over 100mA output current with internal current limiting, thermal shutdown and safe area protection. These regulators are useful in a wide range of applications. Although they are just fixed voltage regulators, the SN79Lxxx series can be used with external components to obtain adjustable voltages and Currents. It also contains the TCE Cell to protect internal circuit from ESD damage.

### Application

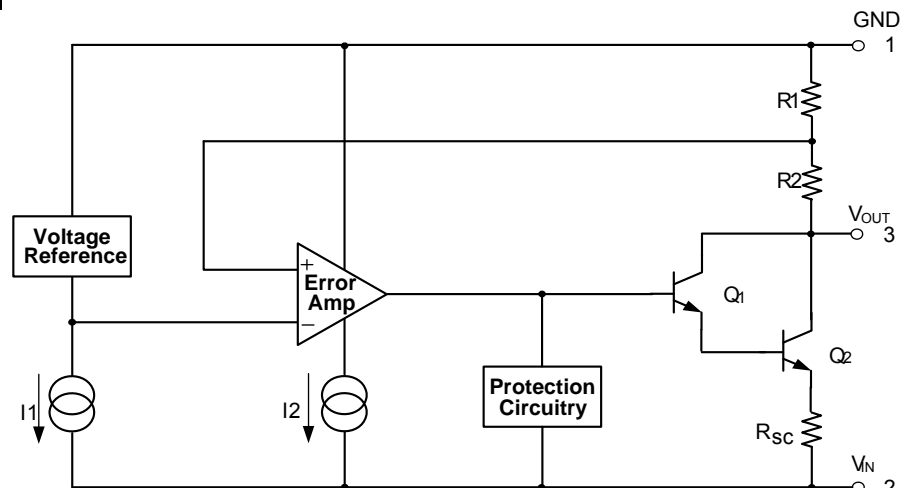
- ◆ Consumer and personal electronics
- ◆ SMPS post-regulator / dc-to-dc modules
- ◆ High-efficiency linear power supplies

### Features and Benefits

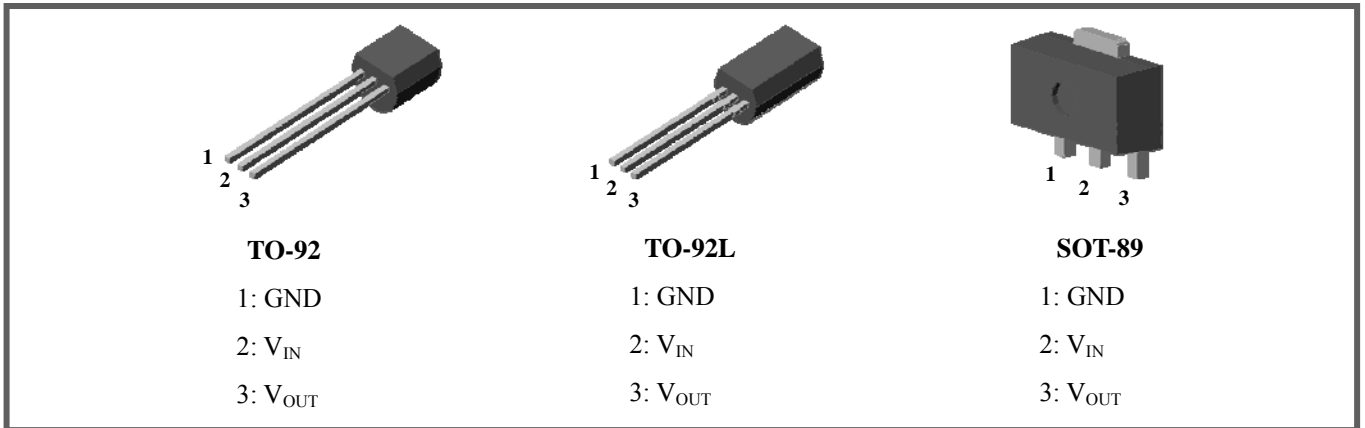
- ◆ Maximum Output Current up to 150mA
- ◆ Output Voltage : -5, -6, -8, -12, -15, -18, -24V
- ◆ Built in OVP, Short Circuit Current Limiting.
- ◆ Built in TSD Protection.
- ◆ No External Components Required.
- ◆ Ultra High level of ESD [ Built in ESD Protection Cell ]

MM : 500V / HBM 5KV ↑

### Equivalent Circuit



## ◆ Pin Configuration



## ◆ Product Line-up

Product Name	V <sub>OUT</sub>	Operating Temperature	Package
SN79L05	-5.0V	-40~125°C	TO-92
SN79L06	-6.0V	-40~125°C	TO-92
SN79L08	-8.0V	-40~125°C	TO-92
SN79L12	-12V	-40~125°C	TO-92
SN79L15	-15V	-40~125°C	TO-92
SN79L18	-18V	-40~125°C	TO-92
SN79L24	-24V	-40~125°C	TO-92
SN79L05L	-5.0V	-40~125°C	TO-92L
SN79L06L	-6.0V	-40~125°C	TO-92L
SN79L08L	-8.0V	-40~125°C	TO-92L
SN79L12L	-12V	-40~125°C	TO-92L
SN79L15L	-15V	-40~125°C	TO-92L
SN79L18L	-18V	-40~125°C	TO-92L
SN79L24L	-24V	-40~125°C	TO-92L
SN79L05F	-5.0V	-40~125°C	SOT-89
SN79L06F	-6.0V	-40~125°C	SOT-89
SN79L08F	-8.0V	-40~125°C	SOT-89
SN79L12F	-12V	-40~125°C	SOT-89
SN79L15F	-15V	-40~125°C	SOT-89
SN79L18F	-18V	-40~125°C	SOT-89
SN79L24F	-24V	-40~125°C	SOT-89

◆ Absolute Maximum Ratings (  $T_a = 25^\circ\text{C}$  )

Parameter		Symbol	Limits	Unit
Input Voltage		$V_{IN}$	-40.0 ( $V_O = -24\text{V}$ )	V
			-35.0 ( $V_O = -12$ to $-18\text{V}$ )	
			-30.0 ( $V_O = -5$ to $-8\text{V}$ )	
Power Dissipation	TO-92	$P_d$	625	mW
	TO-92L		800	mW
	SOT-89		800	mW
Junction Temperature		$T_J$	150	$^\circ\text{C}$
Operate Temperature Range		$T_{opr}$	-40 ~ +125	$^\circ\text{C}$
Storage Temperature Range		$T_{stg}$	-55 ~ +150	$^\circ\text{C}$

Absolute maximum ratings indicate limits beyond which damage to the component may occur. Electrical specifications do not apply when operating the device outside of its operating ratings. The maximum allowable power dissipation is a function of the maximum junction temperature,  $T_{J(max)}$ , the junction-to-ambient thermal resistance,  $\theta_{JA}$ , and the ambient temperature,  $T_A$ .

The maximum allowable power dissipation at any ambient temperature is calculated using:

$PD(max) = (T_{J(max)} - T_A) \div \theta_{JA}$ . Exceeding the maximum allowable power dissipation will result in excessive die temperature, and the regulator will go into thermal shutdown.

### ◆ Electrical characteristics

(  $V_{IN} = -10V$ ,  $C_{IN} = 0.33\mu F$ ,  $C_{OUT} = 0.1\mu F$ ,  $I_{OUT} = 40mA$ ,  $T_J = 0^\circ C \sim 125^\circ C$  ; unless otherwise specified )

Characteristic	Symbol	Test Condition*		SN79L05x			Unit
				Min.	Typ.	Max.	
Output Voltage**	$V_O$	$T_J = 25^\circ C$		-4.80	-5.0	-5.20	V
Line Regulation	$\Delta V_{O(\Delta V_I)}$	$-7.0V \leq V_{IN} \leq -20.0V$	$T_J = 25^\circ C$	-	60	150	mV
		$-8.0V \leq V_{IN} \leq -20.0V$		-	-	100	
Load Regulation	$\Delta V_{O(\Delta I_L)}$	$1.0mA \leq I_O \leq 100mA$	$T_J = 25^\circ C$	-	20	60	mV
		$1.0mA \leq I_O \leq 40mA$		-	10	30	
Output Voltage	$V_O$	$-7.0V \leq V_{IN} \leq -20.0V$ , $1.0mA \leq I_O \leq 40mA$		-4.75	-	-5.25	V
		$V_{IN} = -10V$ , $1.0mA \leq I_O \leq 70mA$		-4.75	-	-5.25	
Quiescent Current	$I_{QC}$	$T_J = 25^\circ C$		-	3.0	6.0	mV
		$T_J = 125^\circ C$		-	-	5.5	
Quiescent Current Change	$\Delta I_{QC}$	$-8.0V \leq V_{IN} \leq -20V$		-	-	1.5	mA
		$1.0mA \leq I_O \leq 40mA$		-	-	0.1	
Ripple Rejection	RR	$-8.0V \leq V_{IN} \leq -18.0V$ , $f = 120Hz$		41	49	-	dB
Dropout Voltage	$V_{DROP}$	$T_J = 25^\circ C$		-	1.7	-	V
Output Noise Voltage	$V_N$	$10Hz \leq f \leq 100kHz$	$T_A = 25^\circ C$	-	40	-	$\mu V / V_O$
Temperature coefficient of Output voltage	$\frac{\Delta V_O}{\Delta Temp}$	$I_O = 5.0mA$		-	-0.6	-	$mV/^\circ C$

\* Pulse testing techniques are used to maintain the junction temperature as close to the ambient temperature as possible. Thermal effects must be taken into separately.

\*\* This specification applies only for dc power dissipation permitted by absolute maximum ratings.

### ◆ Electrical characteristics

(  $V_{IN} = -11V$ ,  $C_{IN} = 0.33\mu F$ ,  $C_{OUT} = 0.1\mu F$ ,  $I_{OUT} = 40mA$ ,  $T_J = 0^\circ C \sim 125^\circ C$  ; unless otherwise specified )

Characteristic	Symbol	Test Condition*		SN79L06x			Unit
				Min.	Typ.	Max.	
Output Voltage**	$V_O$	$T_J = 25^\circ C$		-5.75	-6.00	-6.25	V
Line Regulation	$\Delta V_{O(\Delta V_I)}$	$-8.1V \leq V_{IN} \leq -21.0V$	$T_J = 25^\circ C$	-	-	150	mV
		$-9.0V \leq V_{IN} \leq -21.0V$		-	-	110	
Load Regulation	$\Delta V_{O(\Delta I_L)}$	$1.0mA \leq I_O \leq 100mA$	$T_J = 25^\circ C$	-	-	70	mV
		$1.0mA \leq I_O \leq 40mA$		-	-	35	
Output Voltage	$V_O$	$-8.1V \leq V_{IN} \leq -21.0V$ , $1.0mA \leq I_O \leq 40mA$		-5.70	-	-6.30	V
		$V_{IN} = -11V$ , $1.0mA \leq I_O \leq 70mA$		-5.70	-	-6.30	
Quiescent Current	$I_{QC}$	$T_J = 25^\circ C$		-	3.0	6.0	mA
		$T_J = 125^\circ C$		-	-	5.5	
Quiescent Current Change	$\Delta I_{QC}$	$-9.0V \leq V_{IN} \leq -20V$		-	-	1.5	mA
		$1.0mA \leq I_O \leq 40mA$		-	-	0.1	
Ripple Rejection	RR	$-11.0V \leq V_{IN} \leq -21.0V$ , $f = 120Hz$		37	47	-	dB
Dropout Voltage	$V_{DROP}$	$T_J = 25^\circ C$		-	1.7	-	V
Output Noise Voltage	$V_N$	$10Hz \leq f \leq 100kHz$	$T_A = 25^\circ C$	-	40	-	$\mu V / V_O$
Temperature coefficient of Output voltage	$\frac{\Delta V_O}{\Delta Temp}$	$I_O = 5.0mA$		-	-0.7	-	$mV/^\circ C$

\* Pulse testing techniques are used to maintain the junction temperature as close to the ambient temperature as possible. Thermal effects must be taken into separately.

\*\* This specification applies only for dc power dissipation permitted by absolute maximum ratings.

### ◆ Electrical characteristics

(  $V_{IN} = -14V$ ,  $C_{IN} = 0.33\mu F$ ,  $C_{OUT} = 0.1\mu F$ ,  $I_{OUT} = 40mA$ ,  $T_J = 0^\circ C \sim 125^\circ C$  ; unless otherwise specified )

Characteristic	Symbol	Test Condition*		SN79L08x			Unit
				Min.	Typ.	Max.	
Output Voltage**	$V_O$	$T_J = 25^\circ C$		-7.70	-8.00	-8.30	V
Line Regulation	$\Delta V_{O(\Delta V_I)}$	$-10.5V \leq V_{IN} \leq -23.0V$	$T_J = 25^\circ C$	-	-	175	mV
		$-12.0V \leq V_{IN} \leq -23.0V$		-	-	125	
Load Regulation	$\Delta V_{O(\Delta I_L)}$	$1.0mA \leq I_O \leq 100mA$	$T_J = 25^\circ C$	-	-	80	mV
		$1.0mA \leq I_O \leq 40mA$		-	-	40	
Output Voltage	$V_O$	$-10.5V \leq V_{IN} \leq -23.0V$ , $1.0mA \leq I_O \leq 40mA$		-7.60	-	-8.40	V
		$V_{IN} = -14V$ , $1.0mA \leq I_O \leq 70mA$		-7.60	-	-8.40	
Quiescent Current	$I_{QC}$	$T_J = 25^\circ C$		-	3.0	6.0	mA
		$T_J = 125^\circ C$		-	-	5.5	
Quiescent Current Change	$\Delta I_{QC}$	$-11.7V \leq V_{IN} \leq -23V$		-	-	1.5	mA
		$1.0mA \leq I_O \leq 40mA$		-	-	0.1	
Ripple Rejection	RR	$-11.0V \leq V_{IN} \leq -21.0V$ , $f=120Hz$		37	45	-	dB
Dropout Voltage	$V_{DROP}$	$T_J = 25^\circ C$		-	1.7	-	V
Output Noise Voltage	$V_N$	$10Hz \leq f \leq 100kHz$	$T_A = 25^\circ C$	-	60	-	$\mu V / V_O$
Temperature coefficient of Output voltage	$\frac{\Delta V_O}{\Delta Temp}$	$I_O = 5.0mA$		-	-0.8	-	$mV/^\circ C$

\* Pulse testing techniques are used to maintain the junction temperature as close to the ambient temperature as possible. Thermal effects must be taken into separately.

\*\* This specification applies only for dc power dissipation permitted by absolute maximum ratings.

### ◆ Electrical characteristics

(  $V_{IN} = -19V$ ,  $C_{IN} = 0.33\mu F$ ,  $C_{OUT} = 0.1\mu F$ ,  $I_{OUT} = 40mA$ ,  $T_J = 0^\circ C \sim 125^\circ C$  ; unless otherwise specified )

Characteristic	Symbol	Test Condition*		SN79L12x			Unit
				Min.	Typ.	Max.	
Output Voltage**	$V_O$	$T_J = 25^\circ C$		-11.50	-12.00	-12.50	V
Line Regulation	$\Delta V_{O(\Delta V_I)}$	$-14.5V \leq V_{IN} \leq -27.0V$	$T_J = 25^\circ C$	-	120	250	mV
		$-16.0V \leq V_{IN} \leq -27.0V$		-	100	200	
Load Regulation	$\Delta V_{O(\Delta I_L)}$	$1.0mA \leq I_O \leq 100mA$	$T_J = 25^\circ C$	-	-	100	mV
		$1.0mA \leq I_O \leq 40mA$		-	-	50	
Output Voltage	$V_O$	$-14.5V \leq V_{IN} \leq -27.0V$ , $1.0mA \leq I_O \leq 40mA$		-11.40	-	-12.60	V
		$V_{IN} = -19V$ , $1.0mA \leq I_O \leq 70mA$		-11.40	-	-12.60	
Quiescent Current	$I_{QC}$	$T_J = 25^\circ C$		-	-	6.5	mA
		$T_J = 125^\circ C$		-	-	6.0	
Quiescent Current Change	$\Delta I_{QC}$	$-16.0V \leq V_{IN} \leq -27.0V$		-	-	1.5	mA
		$1.0mA \leq I_O \leq 40mA$		-	-	0.1	
Ripple Rejection	RR	$-15.0V \leq V_{IN} \leq -25.0V$ , $f=120Hz$		37	42	-	dB
Dropout Voltage	$V_{DROP}$	$T_J = 25^\circ C$		-	1.7	-	V
Output Noise Voltage	$V_N$	$10Hz \leq f \leq 100kHz$	$T_A = 25^\circ C$	-	80	-	$\mu V / V_O$
Temperature coefficient of Output voltage	$\frac{\Delta V_O}{\Delta Temp}$	$I_O = 5.0mA$		-	-1.0	-	$mV/^\circ C$

\* Pulse testing techniques are used to maintain the junction temperature as close to the ambient temperature as possible. Thermal effects must be taken into separately.

\*\* This specification applies only for dc power dissipation permitted by absolute maximum ratings.

### ◆ Electrical characteristics

(  $V_{IN} = -23V$ ,  $C_{IN} = 0.33\mu F$ ,  $C_{OUT} = 0.1\mu F$ ,  $I_{OUT} = 40mA$ ,  $T_J = 0^\circ C \sim 125^\circ C$  ; unless otherwise specified )

Characteristic	Symbol	Test Condition*		SN79L15x			Unit
				Min.	Typ.	Max.	
Output Voltage**	$V_O$	$T_J = 25^\circ C$		-14.40	-15.00	-15.60	V
Line Regulation	$\Delta V_{O(\Delta V_I)}$	$-17.5V \leq V_{IN} \leq -30.0V$	$T_J = 25^\circ C$	-	130	300	mV
		$-20.0V \leq V_{IN} \leq -30.0V$		-	110	250	
Load Regulation	$\Delta V_{O(\Delta I_L)}$	$1.0mA \leq I_O \leq 100mA$	$T_J = 25^\circ C$	-	-	150	mV
		$1.0mA \leq I_O \leq 40mA$		-	-	75	
Output Voltage	$V_O$	$-17.5V \leq V_{IN} \leq -30.0V$ , $1.0mA \leq I_O \leq 40mA$		-14.25	-	-15.75	V
		$V_{IN} = -23V$ , $1.0mA \leq I_O \leq 70mA$		-14.25	-	-15.75	
Quiescent Current	$I_{QC}$	$T_J = 25^\circ C$		-	-	6.5	mA
		$T_J = 125^\circ C$		-	-	6.0	
Quiescent Current Change	$\Delta I_{QC}$	$-20.0V \leq V_{IN} \leq -30.0V$		-	-	1.5	mA
		$1.0mA \leq I_O \leq 40mA$		-	-	0.1	
Ripple Rejection	RR	$-18.5V \leq V_{IN} \leq -28.5V$ , $f=120Hz$		34	39	-	dB
Dropout Voltage	$V_{DROP}$	$T_J = 25^\circ C$		-	1.7	-	V
Output Noise Voltage	$V_N$	$10Hz \leq f \leq 100kHz$	$T_A = 25^\circ C$	-	90	-	$\mu V / V_O$
Temperature coefficient of Output voltage	$\frac{\Delta V_O}{\Delta Temp}$	$I_O = 5.0mA$		-	-1.3	-	$mV/^\circ C$

\* Pulse testing techniques are used to maintain the junction temperature as close to the ambient temperature as possible. Thermal effects must be taken into separately.

\*\* This specification applies only for dc power dissipation permitted by absolute maximum ratings.



### ◆ Electrical characteristics

(  $V_{IN} = -27V$ ,  $C_{IN} = 0.33\mu F$ ,  $C_{OUT} = 0.1\mu F$ ,  $I_{OUT} = 40mA$ ,  $T_J = 0^\circ C \sim 125^\circ C$  ; unless otherwise specified )

Characteristic	Symbol	Test Condition*		SN79L18x			Unit
				Min.	Typ.	Max.	
Output Voltage**	$V_O$	$T_J = 25^\circ C$		-17.30	-18.0	-18.70	V
Line Regulation	$\Delta V_{O(\Delta V_I)}$	$-20.7V \leq V_{IN} \leq -33.0V$	$T_J = 25^\circ C$	-	-	325	mV
		$-21.0V \leq V_{IN} \leq -33.0V$		-	-	275	
Load Regulation	$\Delta V_{O(\Delta I_L)}$	$1.0mA \leq I_O \leq 100mA$	$T_J = 25^\circ C$	-	-	170	mV
		$1.0mA \leq I_O \leq 40mA$		-	-	85	
Output Voltage	$V_O$	$-20.7V \leq V_{IN} \leq -33.0V$ , $1.0mA \leq I_O \leq 40mA$		-17.10	-	-18.90	V
		$V_{IN} = -27V$ , $1.0mA \leq I_O \leq 70mA$		-17.10	-	-18.90	
Quiescent Current	$I_{QC}$	$T_J = 25^\circ C$		-	-	6.5	mA
		$T_J = 125^\circ C$		-	-	6.0	
Quiescent Current Change	$\Delta I_{QC}$	$-21.0V \leq V_{IN} \leq -33.0V$		-	-	1.5	mA
		$1.0mA \leq I_O \leq 40mA$		-	-	0.1	
Ripple Rejection	RR	$-23.0V \leq V_{IN} \leq -33.0V$ , $f=120Hz$		33	48	-	dB
Dropout Voltage	$V_{DROP}$	$T_J = 25^\circ C$		-	1.7	-	V
Output Noise Voltage	$V_N$	$10Hz \leq f \leq 100kHz$	$T_A = 25^\circ C$	-	150	-	$\mu V / V_O$
Temperature coefficient of Output voltage	$\frac{\Delta V_O}{\Delta Temp}$	$I_O = 5.0mA$		-	-1.5	-	$mV/^\circ C$

\* Pulse testing techniques are used to maintain the junction temperature as close to the ambient temperature as possible. Thermal effects must be taken into separately.

\*\* This specification applies only for dc power dissipation permitted by absolute maximum ratings.

### ◆ Electrical characteristics

(  $V_{IN} = -33V$ ,  $C_{IN} = 0.33\mu F$ ,  $C_{OUT} = 0.1\mu F$ ,  $I_{OUT} = 40mA$ ,  $T_J = 0^\circ C \sim 125^\circ C$  ; unless otherwise specified )

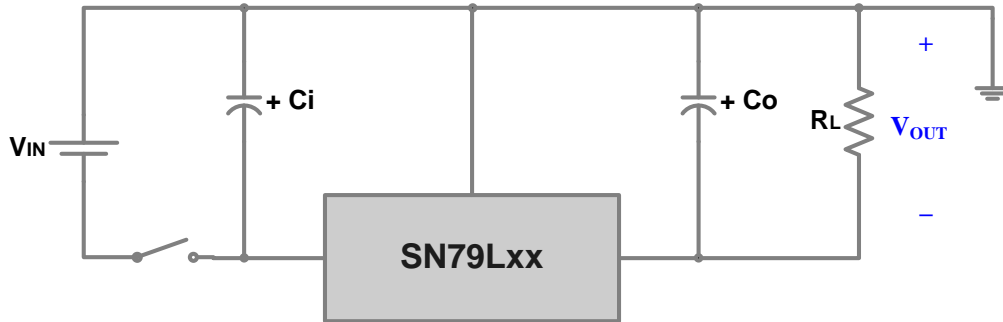
Characteristic	Symbol	Test Condition*		SN79L24x			Unit
				Min.	Typ.	Max.	
Output Voltage**	$V_O$	$T_J = 25^\circ C$		-23.00	-24.00	-25.00	V
Line Regulation	$\Delta V_{O(\Delta V_I)}$	$-27.0V \leq V_{IN} \leq -38.0V$	$T_J = 25^\circ C$	-	-	350	mV
		$-28.0V \leq V_{IN} \leq -38.0V$		-	-	300	
Load Regulation	$\Delta V_{O(\Delta I_L)}$	$1.0mA \leq I_O \leq 100mA$	$T_J = 25^\circ C$	-	-	200	mV
		$1.0mA \leq I_O \leq 40mA$		-	-	100	
Output Voltage	$V_O$	$-27.0V \leq V_{IN} \leq -38.0V$ , $1.0mA \leq I_O \leq 40mA$		-22.80	-	-25.20	V
		$V_{IN} = -33V$ , $1.0mA \leq I_O \leq 70mA$		-22.80	-	-25.20	
Quiescent Current	$I_{QC}$	$T_J = 25^\circ C$		-	-	6.5	mA
		$T_J = 125^\circ C$		-	-	6.0	
Quiescent Current Change	$\Delta I_{QC}$	$-28.0V \leq V_{IN} \leq -38.0V$		-	-	1.5	mA
		$1.0mA \leq I_O \leq 40mA$		-	-	0.1	
Ripple Rejection	RR	$-28.0V \leq V_{IN} \leq -38.0V$ , $f=120Hz$		31	47	-	dB
Dropout Voltage	$V_{DROP}$	$T_J = 25^\circ C$		-	1.7	-	V
Output Noise Voltage	$V_N$	$10Hz \leq f \leq 100kHz$	$T_A = 25^\circ C$	-	200	-	$\mu V / V_O$
Temperature coefficient of Output voltage	$\frac{\Delta V_O}{\Delta Temp}$	$I_O = 5.0mA$		-	-2.0	-	$mV/^\circ C$

\* Pulse testing techniques are used to maintain the junction temperature as close to the ambient temperature as possible. Thermal effects must be taken into separately.

\*\* This specification applies only for dc power dissipation permitted by absolute maximum ratings.

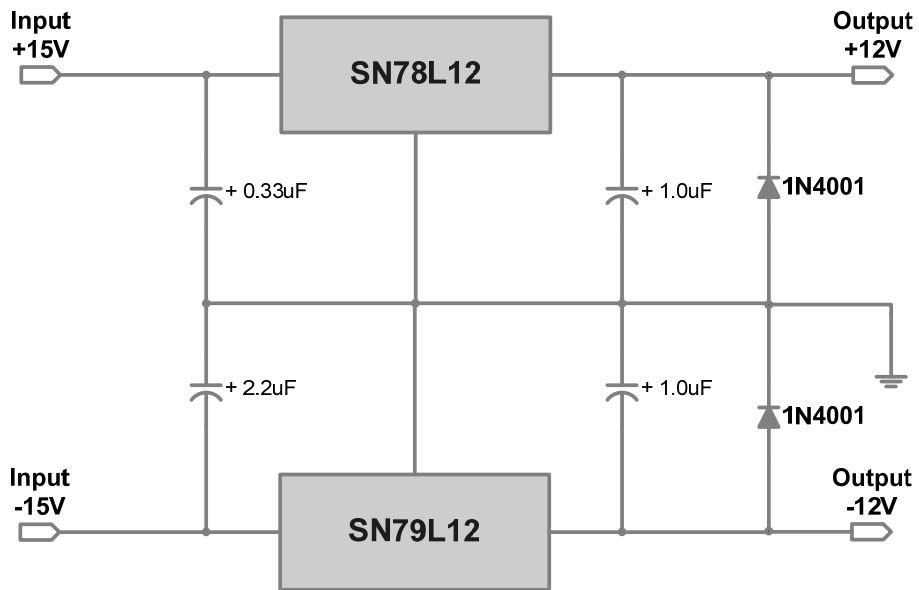
Typical Application

Negative Fixed Output Regulator

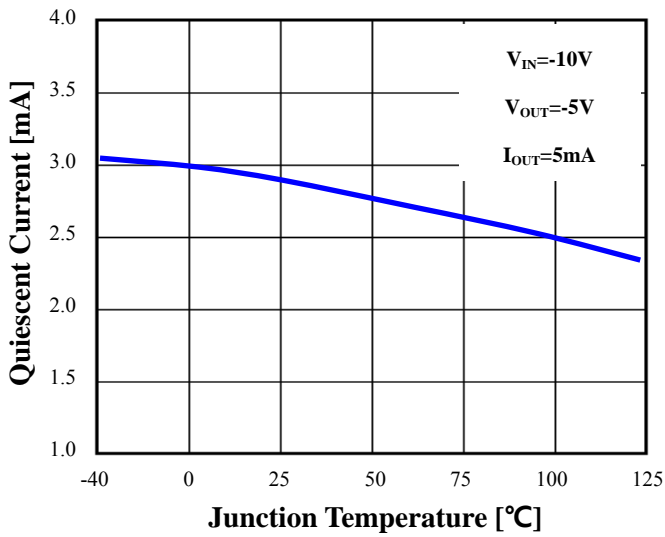


- 1)  $C_{IN}$  should be required if regulators are located far from power supply filter
- 2)  $C_O$  improves output stability and transient response
- 3) To specify an output voltage, substitute voltage value for “xx”

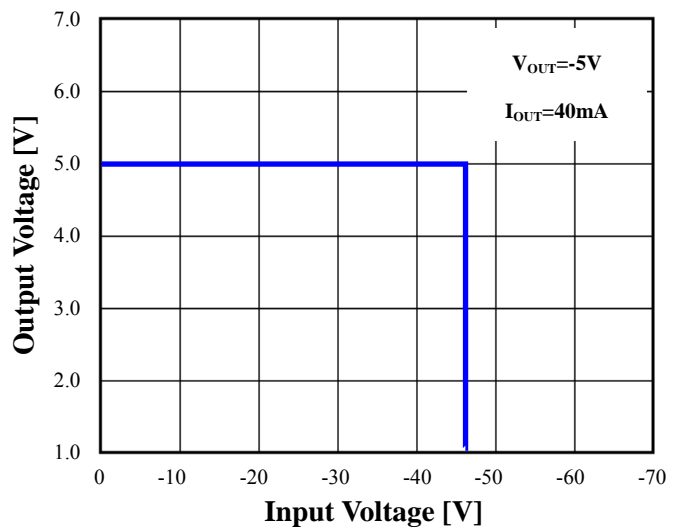
Split Power Supply / OP-AMP Supply ( $\pm 12V / 100mA$ )



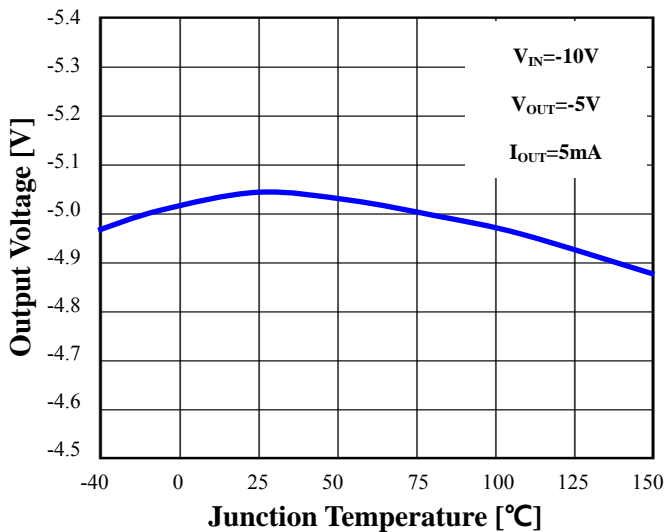
**Fig.1 Quiescent Current vs. Junction Temperature**



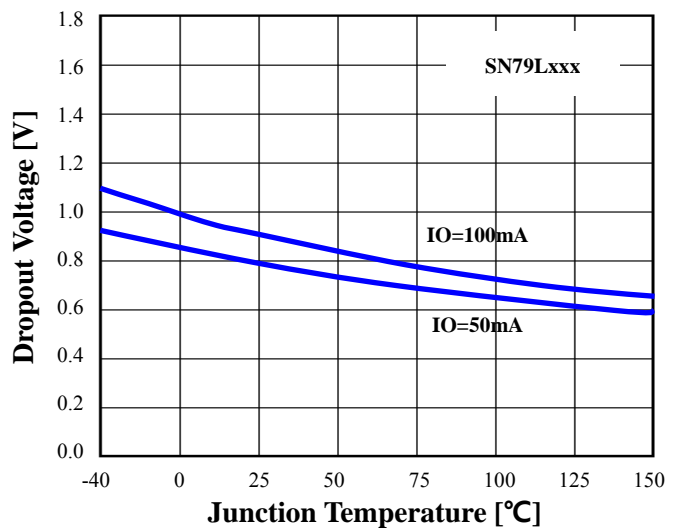
**Fig.2 Output Voltage vs. Input Voltage [ OVP ]**



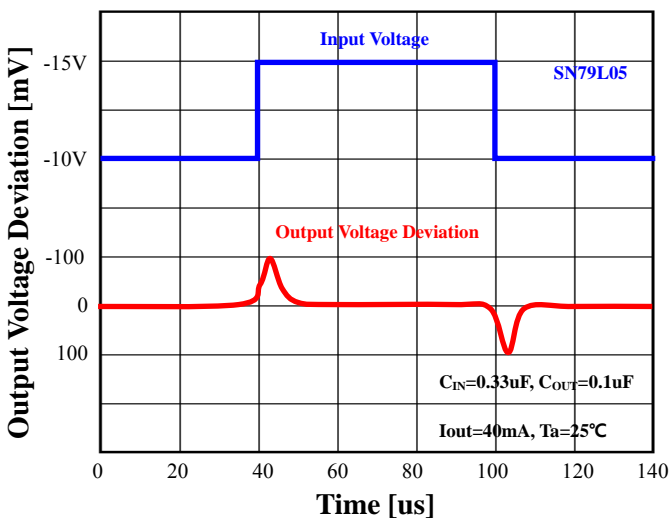
**Fig.3 Output Voltage vs. Junction Temperature**



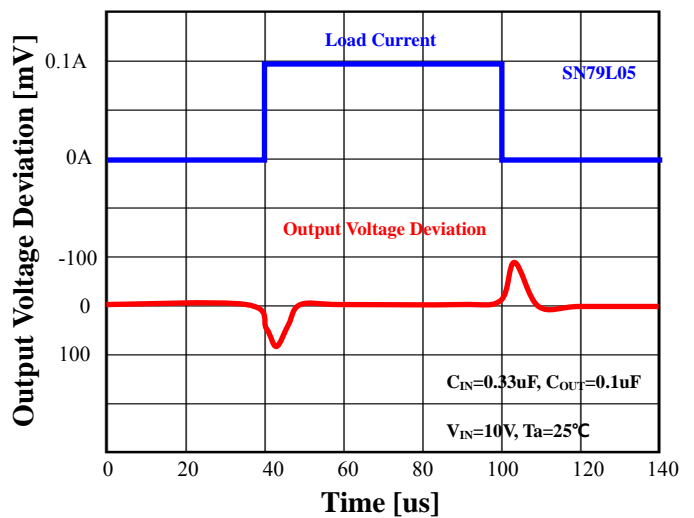
**Fig.4 Dropout Voltage vs. Input Voltage**



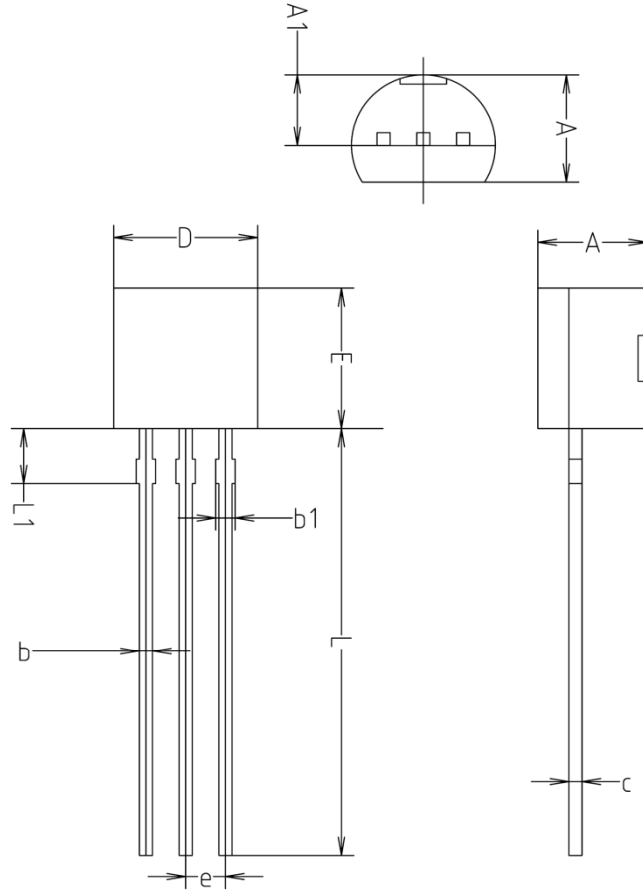
**Fig.5 Line Transient Response**



**Fig.6 Load Transient Response**

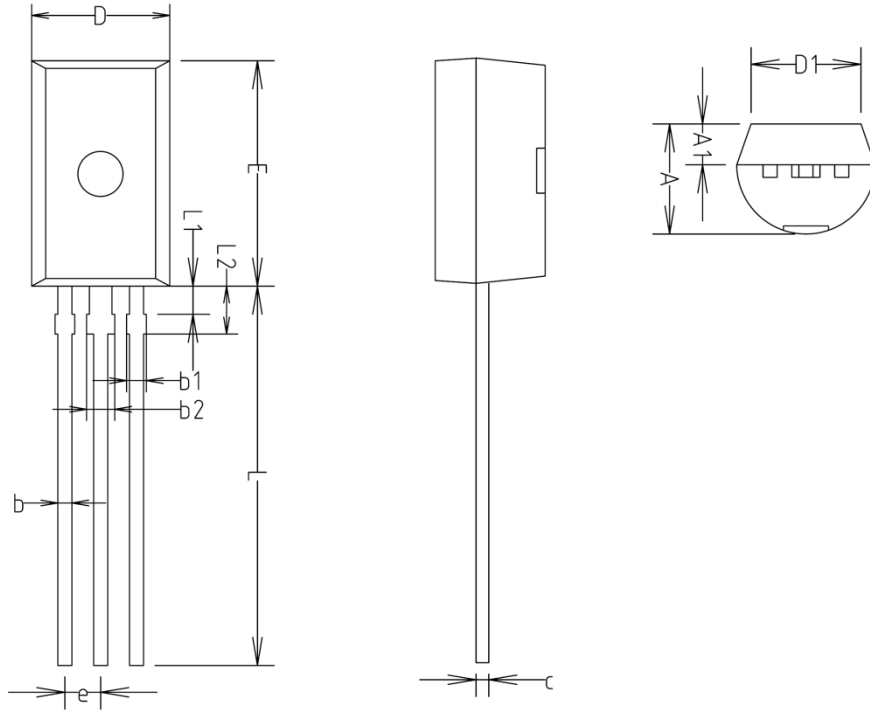


◆ TO-92 Outline Dimension (Unit : mm)



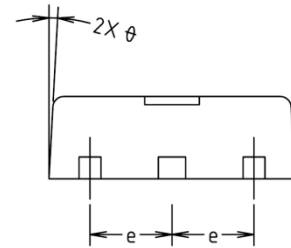
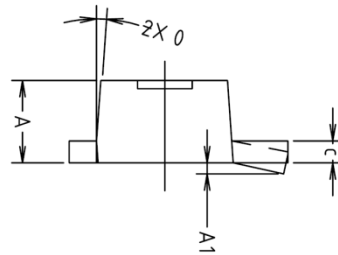
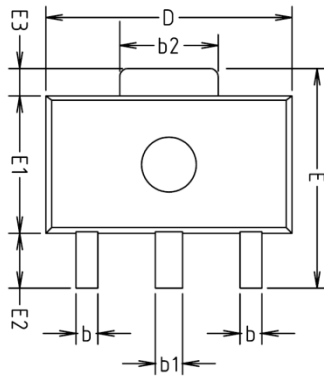
SYMBOL	MILLIMETERS(mm)		
	MINIMUM	NOMINAL	MAXIMUM
A	3.40	3.50	3.66
A1	2.46	2.51	2.59
b	0.39	0.44	0.53
b1	0.39	—	0.63
c	0.35	0.42	0.47
D	4.48	4.60	4.70
E	4.48	4.60	4.70
e	1.17	1.27	1.37
L	13.70	14.00	14.77
L1	1.55	1.70	2.15

◆ TO-92L Outline Dimension (Unit : mm)



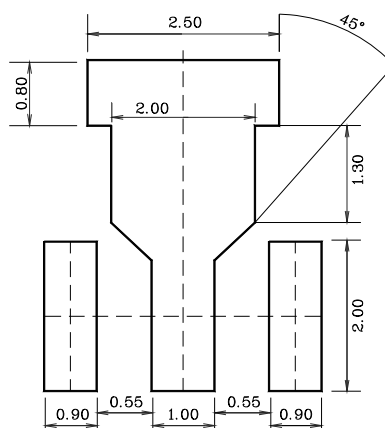
SYMBOL	MILLMETERS(mm)			NOTE
	MINIMUM	NOMINAL	MAXIMUM	
A	3.70	3.90	4.10	
A1	1.25	1.45	1.65	
b	0.40	0.50	0.60	
b1	—	—	0.70	
b2	—	—	1.00	
c	0.35	0.45	0.55	
D	4.70	4.90	5.10	
D1	3.70	3.90	4.10	
E	7.80	8.00	8.20	
e	1.27 TYP			
L	13.10	13.50	13.90	
L1	0.90	1.00	1.10	
L2	1.50	1.70	1.90	

◆ SOT-89 Outline Dimension (Unit : mm)



SYMBOL	MILLIMETERS			NOTE
	MINIMUM	NOMINAL	MAXIMUM	
A	1.40	1.50	1.60	
A1	0.00	-	0.10	
b	0.38	0.42	0.48	
b1	0.48	0.52	0.58	
b2	1.79	1.82	1.87	
c	0.40	0.42	0.46	
D	4.40	4.50	4.70	
E	3.70	4.00	4.30	
E1	2.40	2.50	2.70	
E2	0.80	1.00	1.20	
E3	0.40	0.50	0.60	
e	1.50 TYP.			
̸	4° TYP.			

※ Recommend PCB solder land [Unit: mm]



**The AUK Corp. products are intended for the use as components in general electronic equipment (Office and communication equipment, measuring equipment, home appliance, etc.).**

**Please make sure that you consult with us before you use these AUK Corp. products in equipments which require high quality and / or reliability, and in equipments which could have major impact to the welfare of human life(atomic energy control, airplane, spaceship, transportation, combustion control, all types of safety device, etc.). AUK Corp. cannot accept liability to any damage which may occur in case these AUK Corp. products were used in the mentioned equipments without prior consultation with AUK Corp..**

**Specifications mentioned in this publication are subject to change without notice.**