

# ±2.5 V / 5 V, 50 kSps, 24-bit, High-throughput $\Delta\Sigma$ ADC

## Features

- ❑ Differential Analog Input
- ❑ On-chip Buffers for High Input Impedance
- ❑ Conversion Time = 20  $\mu$ S
- ❑ Settles in One Conversion
- ❑ Linearity Error = 0.0007%
- ❑ Signal-to-Noise = 110 dB
- ❑ 24 Bits, No Missing Codes
- ❑ Self-calibration:
  - Maintains accuracy over time & temperature.
- ❑ Simple three/four-wire serial interface
- ❑ Power Supply Configurations:
  - Analog: +5V/GND; IO: +1.8V to +3.3V
  - Analog: ±2.5V; IO: +1.8V to +3.3V
- ❑ Power Consumption:
  - ADC Input Buffers On: 85 mW
  - ADC Input Buffers Off: 70 mW

## General Description

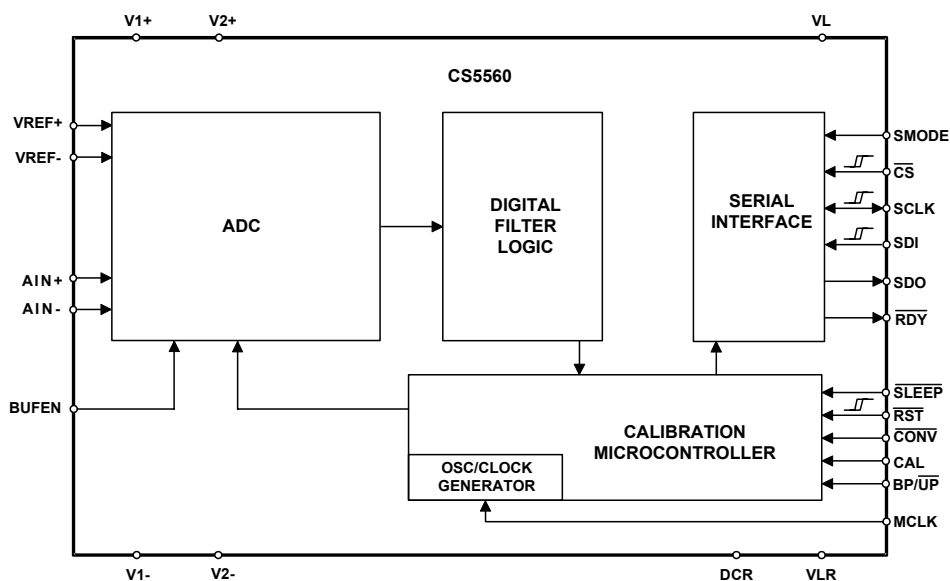
The CS5560 is a single-channel, 24-bit analog-to-digital converter capable of 50 kSps conversion rate. The input accepts a fully differential analog input signal. On-chip buffers provide high input impedance for both the AIN inputs and the VREF+ input. This significantly reduces the drive requirements of signal sources and reduces errors due to source impedances. The CS5560 is a delta-sigma converter capable of switching multiple input channels at a high rate with no loss in throughput. The ADC uses a low-latency digital filter architecture. The filter is designed for fast settling and settles to full accuracy in one conversion. The converter's 24-bit data output is in serial form, with the serial port acting as either a master or a slave. The converter is designed to support bipolar, ground-referenced signals when operated from ±2.5V analog supplies.

The CS5560 uses self-calibration to achieve low offset and gain errors. The converter achieves a S/N of 110 dB. Linearity is ±0.0007% of full scale.

The converter can operate from an analog supply of 0-5V or from ±2.5V. The digital interface supports standard logic operating from 1.8, 2.5, or 3.3 V.

## ORDERING INFORMATION:

See [Ordering Information](#) on page 32.



**TABLE OF CONTENTS**

<b>1. CHARACTERISTICS AND SPECIFICATIONS</b> .....	<b>4</b>
ANALOG CHARACTERISTICS .....	4
SWITCHING CHARACTERISTICS .....	6
DIGITAL CHARACTERISTICS .....	12
DIGITAL FILTER CHARACTERISTICS .....	12
GUARANTEED LOGIC LEVELS .....	13
RECOMMENDED OPERATING CONDITIONS .....	14
ABSOLUTE MAXIMUM RATINGS .....	14
<b>2. OVERVIEW</b> .....	<b>15</b>
<b>3. THEORY OF OPERATION</b> .....	<b>15</b>
3.1 Reset and Calibration .....	15
3.1.1 Offset Register .....	16
3.1.2 Gain Register .....	16
3.2 Conversion .....	17
3.3 Clock .....	17
3.4 Voltage Reference .....	18
3.5 Analog Input .....	18
3.6 Output Coding Format .....	19
3.7 Typical Connection Diagrams .....	20
3.8 AIN & VREF Sampling Structures .....	22
3.9 Converter Performance .....	22
3.10 Digital Filter Characteristics .....	23
3.11 Serial Port .....	24
3.11.1 SSC Mode .....	24
3.11.2 SEC Mode .....	24
3.12 Power Supplies & Grounding .....	25
3.13 Using the CS5560 in Multiplexing Applications .....	26
3.14 Synchronizing Multiple Converters .....	27
<b>4. PIN DESCRIPTIONS</b> .....	<b>28</b>
<b>5. PACKAGE DIMENSIONS</b> .....	<b>31</b>
<b>6. ORDERING INFORMATION</b> .....	<b>32</b>
<b>7. ENVIRONMENTAL, MANUFACTURING, &amp; HANDLING INFORMATION</b> .....	<b>32</b>
<b>REVISION HISTORY</b> .....	<b>32</b>

**LIST OF FIGURES**

Figure 1. SSC Mode - Read Timing, CS remaining low . . . . .	7
Figure 2. SSC Mode - Read Timing, CS falling after RDY falls . . . . .	8
Figure 3. SEC Mode - Read Timing (Not to Scale) . . . . .	9
Figure 4. SEC Mode - Calibration Register Read Timing . . . . .	10
Figure 5. SEC Mode - Write Timing . . . . .	11
Figure 6. Voltage Reference Circuit . . . . .	18
Figure 7. CS5560 Configured Using $\pm 2.5V$ Analog Supplies . . . . .	20
Figure 8. CS5560 Configured Using a Single 5V Analog Supply . . . . .	21
Figure 9. CS5560 DNL Plot. . . . .	22
Figure 10. CS5560 Spectral Response (DC to $f_s/2$ ) . . . . .	23
Figure 11. CS5560 Spectral Response (DC to 5 kHz) . . . . .	23
Figure 12. CS5560 Spectral Response (DC to 4fs) . . . . .	23
Figure 13. Simple Multiplexing Scheme . . . . .	26
Figure 14. More Complex Multiplexing Scheme . . . . .	27

**LIST OF TABLES**

Table 1. Offset & Gain Calibration Register Read/Write Commands . . . . .	16
Table 2. Output Coding, Two's Complement . . . . .	19
Table 3. Output Coding, Offset Binary . . . . .	19

## 1. CHARACTERISTICS AND SPECIFICATIONS

- Min / Max characteristics and specifications are guaranteed over the specified operating conditions.
- Typical characteristics and specifications are measured at nominal supply voltages and  $T_A = 25^\circ\text{C}$ .
- VLR = 0 V. All voltages with respect to 0 V.

**ANALOG CHARACTERISTICS**  $T_A = -40$  to  $+85^\circ\text{C}$ ;  $V_{1+} = V_{2+} = +2.5\text{ V}$ ,  $\pm 5\%$ ;  $V_{1-} = V_{2-} = -2.5\text{ V}$ ,  $\pm 5\%$ ;  $V_L - V_{LR} = 3.3\text{ V}$ ,  $\pm 5\%$ ;  $V_{REF} = (V_{REF+}) - (V_{REF-}) = 4.096\text{V}$ ;  $MCLK = 16\text{ MHz}$ ;  $SMODE = V_L$ .  $BUFEN = V_{1+}$  unless otherwise stated. Connected per [Figure 7](#). Bipolar mode unless otherwise stated.

Parameter	Min	Typ	Max	Unit	
<b>Accuracy</b>					
Linearity Error (Note 1)	-	0.0003	-	$\pm\%FS$	
Differential Linearity Error (Note 2)	-	$\pm 0.1$	-	$LSB_{24}$	
Positive Full-scale Error	After Reset	1.0	-	$\%FS$	
	After Calibration (Note 1)	0.01	-		
Negative Full-scale Error	After Reset	1.0	-	$\%FS$	
	After Calibration (Note 1)	0.01	-		
Full-scale Drift (Note 3)	-		-	$LSB_{24}$	
Unipolar Offset	After Reset	$\pm 2000$	-	$LSB_{24}$	
	After Calibration (Note 1)	$\pm 400$	-		
Unipolar Offset Drift (Note 3)	-		-	$LSB_{24}$	
Bipolar Offset	After Reset	$\pm 1000$	-	$LSB_{24}$	
	After Calibration (Note 1)	$\pm 200$	-		
Bipolar Offset Drift (Note 3)	-		-	$LSB_{24}$	
Noise	-	9.5	-	$\mu V_{rms}$	
<b>Dynamic Performance</b>					
Peak Harmonic or Spurious Noise	1 kHz, -0.5 dB Input	-	-110	-	dB
Total Harmonic Distortion	1 kHz, -0.5 dB Input	-	-110	-	dB
Signal-to-Noise		-	110	-	dB
S/(N + D) Ratio	-0.5 dB Input, 1 kHz	-	107	-	dB
	-60 dB Input, 1 kHz	-	48	-	dB
-3 dB Input Bandwidth (Note 4)		-	42	-	kHz

1. Applies after calibration at any temperature within  $-40^\circ\text{C}$  to  $+85^\circ\text{C}$ .
2. No missing codes is guaranteed at 24 bits resolution over the specified temperature range.
3. Total drift over specified temperature range after calibration at power-up, at  $25^\circ\text{C}$ .
4. Scales with MCLK.

**ANALOG CHARACTERISTICS (CONTINUED)**  $T_A = -40$  to  $+85$  °C;  $V1+ = V2+ = +2.5$  V,  $\pm 5\%$ ;  $V1- = V2- = -2.5$  V,  $\pm 5\%$ ;  $V_L - V_{LR} = 3.3$  V,  $\pm 5\%$ ;  $V_{REF} = (V_{REF+}) - (V_{REF-}) = 4.096$ V;  $MCLK = 16$  MHz;  $SMODE = V_L$ .;  $BUFEN = V1+$  unless otherwise stated. Connected per [Figure 7](#).

Parameter		Min	Typ	Max	Unit
<b>Analog Input</b>					
Analog Input Range	Unipolar Bipolar	0 to +VREF $\pm V_{REF}$			V V
Input Capacitance		-	10	-	pF
CVF Current (Note 5)	AIN Buffer On ( $BUFEN = V+$ )	-	600	-	nA
	AIN Buffer Off ( $BUFEN = V-$ )	-	130	-	$\mu$ A
	ACOM	-	130	-	$\mu$ A
<b>Voltage Reference Input</b>					
Voltage Reference Input Range ( $V_{REF+}$ ) – ( $V_{REF-}$ )	(Note 6)	2.4	4.096	4.2	V
Input Capacitance		-	10	-	pF
CVF Current	$V_{REF+}$ Buffer On ( $BUFEN = V+$ )	-	3	-	$\mu$ A
	$V_{REF+}$ Buffer Off ( $BUFEN = V-$ )	-	1	-	mA
	$V_{REF-}$	-	1	-	mA
<b>Power Supplies</b>					
DC Power Supply Currents	$I_{V1}$	-	-	18	mA
	$I_{V2}$	-	-	1.8	mA
	$I_{V_L}$	-	-	0.5	mA
Power Consumption	Normal Operation Buffers On	-	85	105	mW
	Normal Operation Buffers Off	-	70	90	mW
Power Supply Rejection	(Note 7) $V1+$ , $V2+$ Supplies	90	110	-	dB
	$V1-$ , $V2-$ Supplies	90	110	-	dB

5. Measured using an input signal of 1 V DC.

6. For optimum performance,  $V_{REF+}$  should always be less than  $(V+)$  - 0.2 volts to prevent saturation of the  $V_{REF+}$  input buffer.

7. Tested with 100 mVP-P on any supply up to 1 kHz.  $V1+$  and  $V2+$  supplies at the same voltage potential,  $V1-$  and  $V2-$  supplies at the same voltage potential.

## SWITCHING CHARACTERISTICS

$T_A = -40$  to  $+85$  °C;  $V_{1+} = V_{2+} = +2.5$  V,  $\pm 5\%$ ;  $V_{1-} = V_{2-} = -2.5$  V,  $\pm 5\%$ ;

VL - VLR = 3.3 V,  $\pm 5\%$ , 2.5 V,  $\pm 5\%$ , or 1.8 V,  $\pm 5\%$

Input levels: Logic 0 = 0V; Logic 1 = VD+; CL = 15 pF.

Parameter	Symbol	Min	Typ	Max	Unit
Master Clock Frequency	Internal Oscillator	12	14	16	MHz
	External Clock	0.5	16	16.2	MHz
Master Clock Duty Cycle		40	-	60	%
<b>Reset</b>					
RST Low Time	$t_{res}$	1	-	-	$\mu$ s
RST rising to RDY falling	Internal Oscillator	-	120	-	$\mu$ s
	External Clock	-	1536	-	MCLKs
<b>Calibration</b>					
CAL pulse width (Note 8)	$t_{pw}$	4	-	-	MCLKs
CAL high setup time to RST rising (Note 8)	$t_{ccw}$	0	-	-	ns
Calibration Time RST rising (CAL high) to RDY falling	$t_{scl}$	-	331458	-	MCLKs
Calibration Time CAL rising (RST high) to RDY falling	$t_{cal}$	-	331458	-	MCLKs
<b>Conversion</b>					
CONV Pulse Width	$t_{cpw}$	4	-	-	MCLKs
BP/UP setup to CONV falling (Note 9)	$t_{scn}$	0	-	-	ns
CONV low to start of conversion	$t_{scn}$	-	-	2	MCLKs
Perform Single Conversion (CONV high before RDY falling)	$t_{bus}$	20	-	-	MCLKs
Conversion Time (Note 10) Start of Conversion to RDY falling	$t_{buh}$	-	-	324	MCLKs
Sleep Mode	SLEEP low to low-power state	$t_{con}$	-	50	$\mu$ s
	SLEEP high to device active (Note 11)	$t_{con}$	-	3083	MCLKs

8. CAL can be controlled by the same signal used for RST. If CAL goes high simultaneously with RST, a calibration will be performed, but CAL must remain high until RDY falls.
9. BP/UP can be changed coincident CONV falling. BP/UP must remain stable until RDY falls.
10. If CONV is held low continuously, conversions occur every 320 MCLK cycles.  
If RDY is tied to CONV, conversions will occur every 322 MCLKs.  
If CONV is operated asynchronously to MCLK, a conversion may take up to 324 MCLKs.  
RDY falls at the end of conversion.
11. RDY will fall when the device is fully operational when coming out of sleep mode.

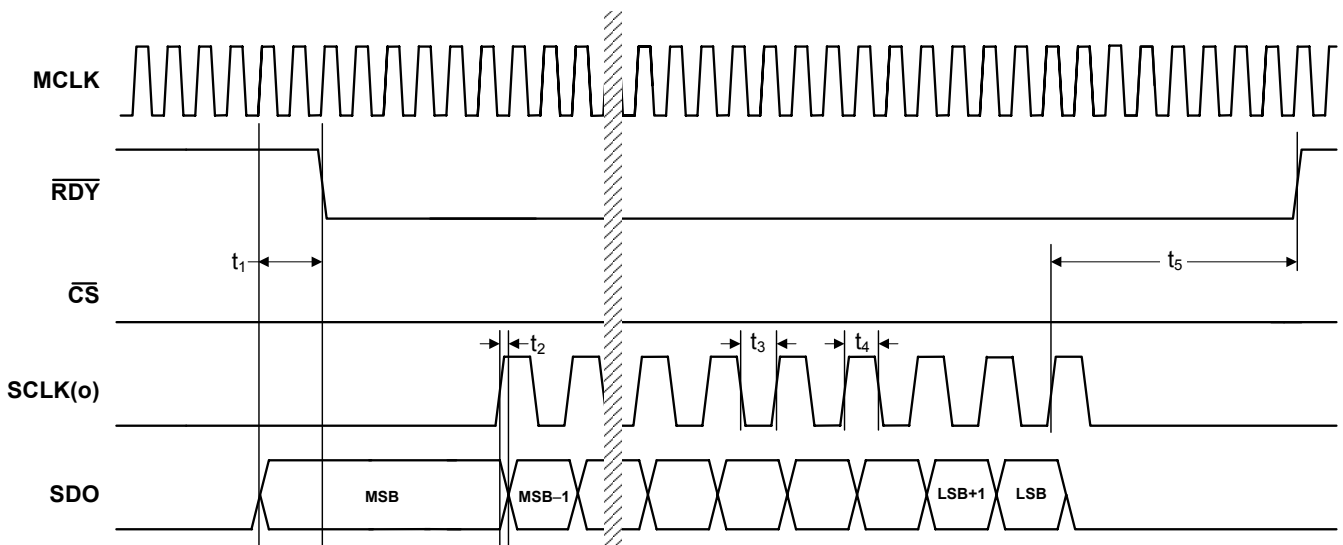
**SWITCHING CHARACTERISTICS (CONTINUED)**
 $T_A = -40 \text{ to } +85 \text{ }^\circ\text{C}$ ;  $V_{1+} = V_{2+} = +2.5 \text{ V}$ ,  $\pm 5\%$ ;  $V_{1-} = V_{2-} = -2.5 \text{ V}$ ,  $\pm 5\%$ ;

 $V_L - V_{LR} = 3.3 \text{ V}$ ,  $\pm 5\%$ ,  $2.5 \text{ V}$ ,  $\pm 5\%$ , or  $1.8 \text{ V}$ ,  $\pm 5\%$ 

Input levels: Logic 0 = 0V; Logic 1 =  $V_{D+}$ ;  $C_L = 15 \text{ pF}$ .

Parameter	Symbol	Min	Typ	Max	Unit
<b>Serial Port Timing in SSC Mode (SMODE = VL)</b>					
RDY falling to MSB stable	$t_1$	-	-2	-	MCLKs
Data hold time after SCLK rising	$t_2$	-	10	-	ns
Serial Clock (Out) (Note 12, 13)	Pulse Width (low)	50	-	-	ns
	Pulse Width (high)	50	-	-	ns
$\overline{\text{RDY}}$ rising after last SCLK rising	$t_5$	-	8	-	MCLKs

12. SDO and SCLK will be high impedance when  $\overline{\text{CS}}$  is high. In some systems it may require a pull-down resistor.

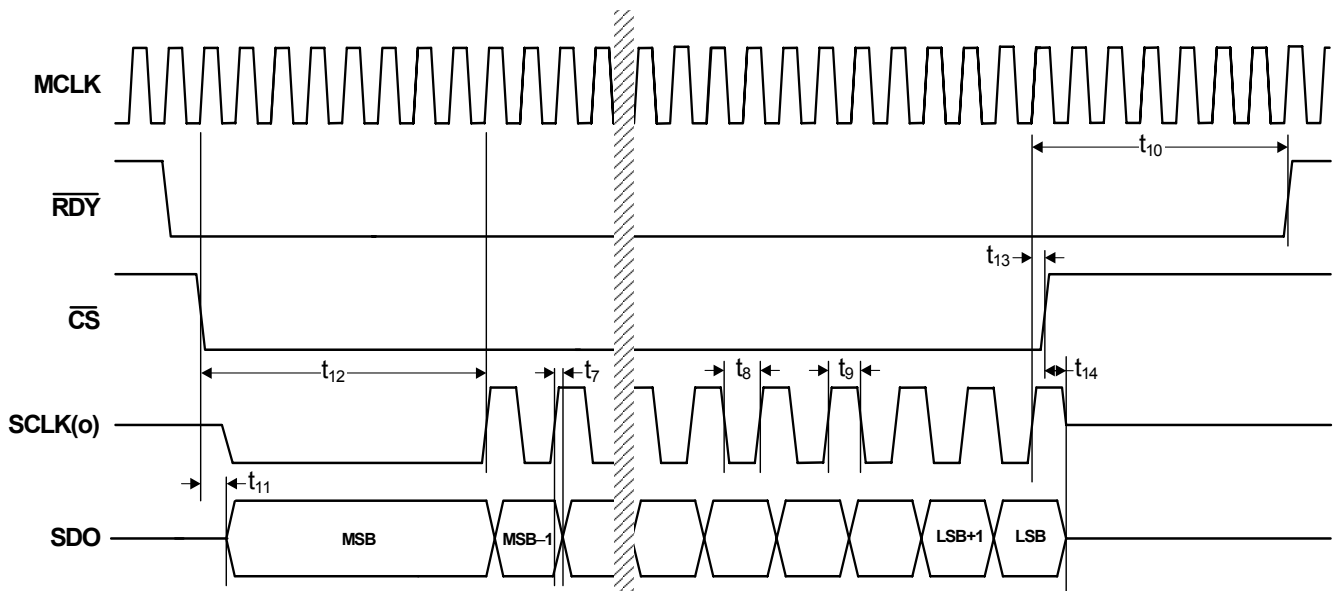
13.  $\text{SCLK} = \text{MCLK}/2$ .

**Figure 1. SSC Mode - Read Timing,  $\overline{\text{CS}}$  remaining low (Not to Scale)**

**SWITCHING CHARACTERISTICS (CONTINUED)**
 $T_A = -40 \text{ to } +85 \text{ }^\circ\text{C}; V_{1+} = V_{2+} = +2.5 \text{ V}, \pm 5\%; V_{1-} = V_{2-} = -2.5 \text{ V}, \pm 5\%;$ 
 $V_L - V_{LR} = 3.3 \text{ V}, \pm 5\%, 2.5 \text{ V}, \pm 5\%, \text{ or } 1.8 \text{ V}, \pm 5\%$ 

 Input levels: Logic 0 = 0V; Logic 1 =  $V_{D+}$ ;  $C_L = 15 \text{ pF}$ .

Parameter	Symbol	Min	Typ	Max	Unit
<b>Serial Port Timing in SSC Mode (<math>S_{MODE} = V_L</math>)</b>					
Data hold time after SCLK rising	$t_7$	-	10	-	ns
Serial Clock (Out) (Note 14, 15)	Pulse Width (low)	50	-	-	ns
	Pulse Width (high)	50	-	-	ns
$\overline{RDY}$ rising after last SCLK rising	$t_{10}$	-	8	-	MCLKs
$\overline{CS}$ falling to MSB stable	$t_{11}$	-	10	-	ns
First SCLK rising after $\overline{CS}$ falling	$t_{12}$	-	8	-	MCLKs
$\overline{CS}$ hold time (low) after SCLK rising	$t_{13}$	10	-	-	ns
SCLK, SDO tristate after $\overline{CS}$ rising	$t_{14}$	-	5	-	ns

14. SDO and SCLK will be high impedance when  $\overline{CS}$  is high. In some systems it may require a pull-down resistor.
15.  $S_{CLK} = MCLK/2$ .

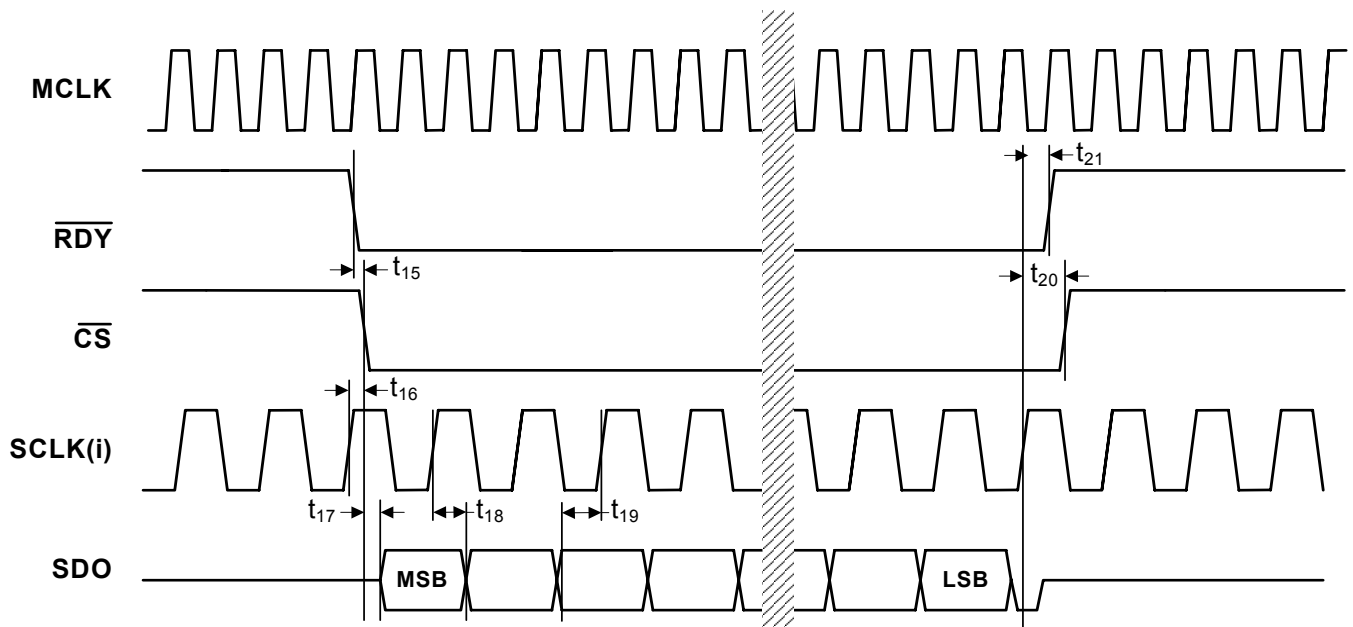

**Figure 2. SSC Mode - Read Timing,  $\overline{CS}$  falling after  $\overline{RDY}$  falls (Not to Scale)**



**SWITCHING CHARACTERISTICS (CONTINUED)**
 $T_A = -40 \text{ to } +85 \text{ }^\circ\text{C}; V_{1+} = V_{2+} = +2.5 \text{ V}, \pm 5\%; V_{1-} = V_{2-} = -2.5 \text{ V}, \pm 5\%;$ 
 $V_L - V_{LR} = 3.3 \text{ V}, \pm 5\%, 2.5 \text{ V}, \pm 5\%, \text{ or } 1.8 \text{ V}, \pm 5\%$ 

 Input levels: Logic 0 = 0V; Logic 1 =  $V_{D+}$ ;  $C_L = 15 \text{ pF}$ .

Parameter	Symbol	Min	Typ	Max	Unit
<b>Serial Port Timing in SEC Mode (SMODE = VLR)</b>					
SCLK(in) Pulse Width (High)	-	30	-	-	ns
SCLK(in) Pulse Width (Low)	-	30	-	-	ns
$\overline{\text{CS}}$ hold time (high) after $\overline{\text{RDY}}$ falling	$t_{15}$	10	-	-	ns
$\overline{\text{CS}}$ hold time (high) after SCLK rising	$t_{16}$	10	-	-	ns
$\overline{\text{CS}}$ low to SDO out of Hi-Z (Note 16)	$t_{17}$	-	10	-	ns
Data hold time after SCLK rising	$t_{18}$	-	10	-	ns
Data setup time before SCLK rising	$t_{19}$	10	-	-	ns
$\overline{\text{CS}}$ hold time (low) after SCLK rising	$t_{20}$	10	-	-	ns
$\overline{\text{RDY}}$ rising after SCLK falling	$t_{21}$	-	10	-	ns

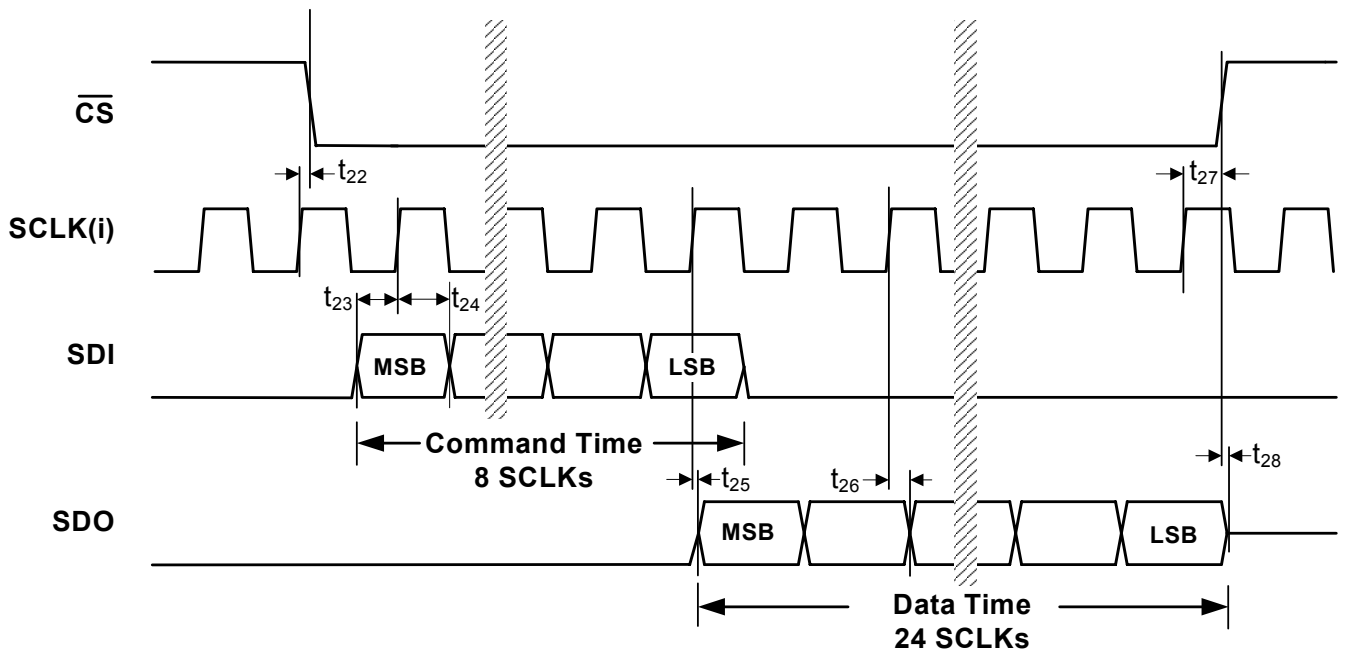
 16. SDO will be high impedance when  $\overline{\text{CS}}$  is high. In some systems it may require a pull-down resistor.

**Figure 3. SEC Mode - Read Timing (Not to Scale)**

**SWITCHING CHARACTERISTICS (CONTINUED)**
 $T_A = -40 \text{ to } +85 \text{ }^\circ\text{C}$ ;  $V_{1+} = V_{2+} = +2.5 \text{ V}, \pm 5\%$ ;  $V_{1-} = V_{2-} = -2.5 \text{ V}, \pm 5\%$ ;

 $V_L - V_{LR} = 3.3 \text{ V}, \pm 5\%$ ,  $2.5 \text{ V}, \pm 5\%$ , or  $1.8 \text{ V}, \pm 5\%$ 

Input levels: Logic 0 = 0V; Logic 1 =  $V_{D+}$ ;  $C_L = 15 \text{ pF}$ .

Parameter	Symbol	Min	Typ	Max	Unit
<b>Calibration Register Read Timing</b>					
$\overline{CS}$ hold time (high) after SCLK rising	$t_{22}$	10	-	-	ns
Data setup time before SCLK rising	$t_{23}$	10	-	-	ns
Data hold time after SCLK rising	$t_{24}$	10	-	-	ns
SCLK rising to data stable	$t_{25}$	-	10	-	ns
Data hold time after SCLK rising	$t_{26}$	-	10	-	ns
SCLK rising to $\overline{CS}$ rising	$t_{27}$	10	-	-	ns
SDO tristate after $\overline{CS}$ rising	$t_{28}$	-	5	-	ns

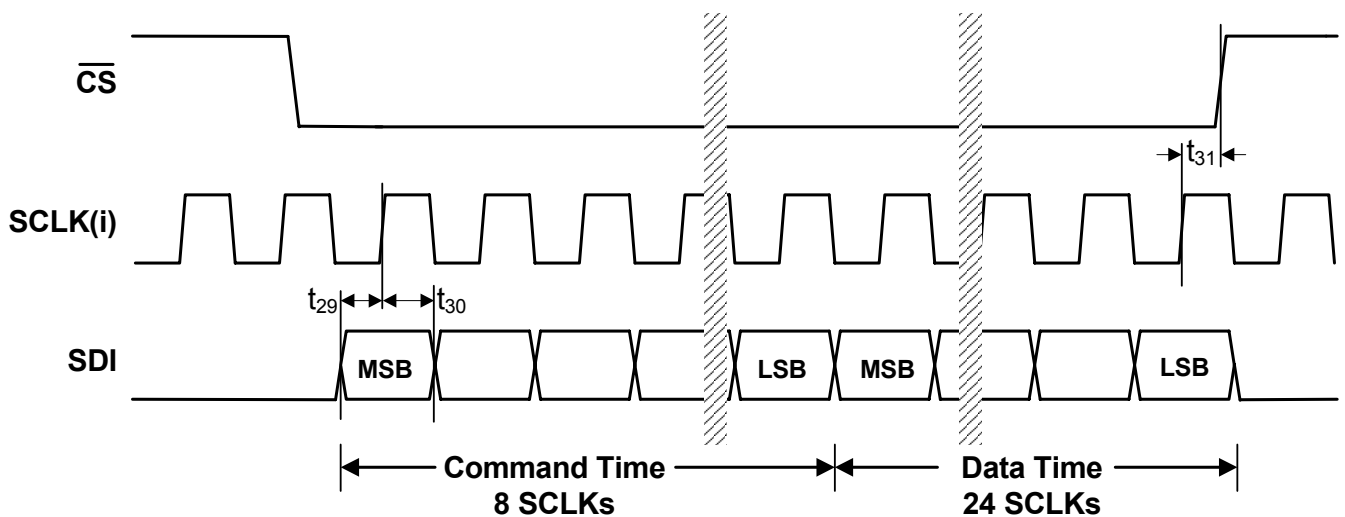

**Figure 4. SEC Mode - Calibration Register Read Timing (Not to Scale)**

**SWITCHING CHARACTERISTICS (CONTINUED)**
 $T_A = -40$  to  $+85$  °C;  $V_{1+} = V_{2+} = +2.5$  V,  $\pm 5\%$ ;  $V_{1-} = V_{2-} = -2.5$  V,  $\pm 5\%$ ;

 $V_L - V_{LR} = 3.3$  V,  $\pm 5\%$ , 2.5 V,  $\pm 5\%$ , or 1.8 V,  $\pm 5\%$ 

 Input levels: Logic 0 = 0V; Logic 1 =  $V_{D+}$ ;  $C_L = 15$  pF.

Parameter	Symbol	Min	Typ	Max	Unit
<b>Calibration Register Write Timing</b>					
Data setup time before SCLK rising	$t_{29}$	10	-	-	ns
Data hold time after SCLK rising	$t_{30}$	10	-	-	ns
SCLK rising to $\overline{CS}$ rising	$t_{31}$	10	-	-	ns

 17. SDO will be high impedance when  $\overline{CS}$  is high. In some systems it may require a pull-down resistor.

**Figure 5. SEC Mode - Write Timing (Not to Scale)**

## DIGITAL CHARACTERISTICS

$T_A$  = TMIN to TMAX; VL = 3.3V, ±5% or VL = 2.5V, ±5% or 1.8V, ±5%; VLR = 0V

Parameter	Symbol	Min	Typ	Max	Unit
Calibration Memory Retention (Note 18) Power Supply Voltage [V1+ = V2+] – [V1- = V2-]	$V_{MR}$	4.0	-	-	V
Input Leakage Current	$I_{in}$	-	-	2	μA
Digital Input Pin Capacitance	$C_{in}$	-	3	-	pF
Digital Output Pin Capacitance	$C_{out}$	-	3	-	pF

18. VA- and VD- can be any value from 0 to +5V for memory retention. Neither VA- nor VD- should be allowed to go positive. AIN1, AIN2, or VREF must not be greater than VA+ or VD+. This parameter is guaranteed by characterization.

## DIGITAL FILTER CHARACTERISTICS

$T_A$  = TMIN to TMAX; VL = 3.3V, ±5% or VL = 2.5V, ±5% or 1.8V, ±5%; VLR = 0V

Parameter	Symbol	Min	Typ	Max	Unit
Group Delay	-	-	160	-	MCLKs

## GUARANTEED LOGIC LEVELS

$T_A = -40$  to  $+85$  °C;  $V_{1+} = V_{2+} = +2.5$  V,  $\pm 5\%$ ;  $V_{1-} = V_{2-} = -2.5$  V,  $\pm 5\%$ ;

VL - VLR = 3.3 V,  $\pm 5\%$ , 2.5 V,  $\pm 5\%$ , or 1.8 V,  $\pm 5\%$

Input levels: Logic 0 = 0V; Logic 1 = VD+; CL = 15 pF.

Parameter	Sym	VL	Guaranteed Limits			Unit	Conditions
			Min	Typ	Max		
<b>Logic Inputs</b>							
Minimum High-level Input Voltage:	$V_{IH}$	3.3	1.9			V	
		2.5	1.6				
		1.8	1.2				
Maximum Low-level Input Voltage:	$V_{IL}$	3.3			1.1	V	
		2.5			0.95		
		1.8			0.6		
<b>Logic Outputs</b>							
Minimum High-level Output Voltage:	$V_{OH}$	3.3	2.9			V	$I_{OH} = -2$ mA
		2.5	2.1				
		1.8	1.65				
Maximum Low-level Output Voltage:	$V_{OL}$	3.3			0.36	V	$I_{OH} = -2$ mA
		2.5			0.36		
		1.8			0.44		

## RECOMMENDED OPERATING CONDITIONS

(VLR = 0V, see Note 19)

Parameter	Symbol	Min	Typ	Max	Unit	
<b>Single Analog Supply</b>						
DC Power Supplies:	(Note 19)					
V1+	V1+	4.75	5.0	5.25	V	
V2+	V2-	4.75	5.0	5.25	V	
V1-	V1+	-	0	-	V	
V2-	V2-	-	0	-	V	
<b>Dual Analog Supplies</b>						
DC Power Supplies:	(Note 19)					
V1+	V1+	+2.375	+2.5	+2.625	V	
V2+	V2-	+2.375	+2.5	+2.625	V	
V1-	V1+	-2.375	-2.5	-2.625	V	
V2-	V2-	-2.375	-2.5	-2.625	V	
Analog Reference Voltage	(Note 20) [VREF+] – [VREF-]	VREF	2.4	4.096	4.2	V

19. The logic supply can be any value VL – VLR = +1.6 to +3.6 volts as long as VLR ≥ V2- and VL ≤ 3.6 V.

20. The differential voltage reference magnitude is constrained by the V1+ or V1- supply magnitude.

## ABSOLUTE MAXIMUM RATINGS

(VLR = 0V)

Parameter	Symbol	Min	Typ	Max	Unit	
DC Power Supplies:						
[V1+] – [V1-] (Note 21)	-	0	-	5.5	V	
VL + [ V1- ] (Note 22)	-	0	-	6.3	V	
Input Current, Any Pin Except Supplies	(Note 23)	I <sub>IN</sub>	-	±10	mA	
Analog Input Voltage	(AIN and VREF pins)	V <sub>INA</sub>	(V1-) – 0.3	-	(V1+) + 0.3	V
Digital Input Voltage		V <sub>IND</sub>	VLR – 0.3	-	VL + 0.3	V
Storage Temperature		T <sub>stg</sub>	-65	-	150	°C

Notes: 21. V1+ = V2+; V1- = V2-

22. V1- = V2-

23. Transient currents of up to 100 mA will not cause SCR latch-up.

**WARNING:** Operation beyond these limits may result in permanent damage to the device.

## 2. OVERVIEW

The CS5560 is a 24-bit analog-to-digital converter capable of 50 kSps conversion rate. The device is capable of switching multiple input channels at a high rate with no loss in throughput. The ADC uses a low-latency digital filter architecture. The filter is designed for fast settling and settles to full accuracy in one conversion.

The converter is a serial output device. The serial port can be configured to function as either a master or a slave.

The CS5560 provides self-calibration circuitry to achieve low offset and gain errors.

The converter can operate from an analog supply of 5V or from  $\pm 2.5V$ . The digital interface supports standard logic operating from 1.8, 2.5, or 3.3 V.

The CS5560 converts at 50 kSps when operating from a 16 MHz input clock.

## 3. THEORY OF OPERATION

The CS5560 converter provides high-performance measurement of DC or AC signals. The converter includes on-chip calibration circuitry to minimize offset and gain errors. The converter can be used to perform single conversions or continuous conversions upon command. Each conversion is independent of previous conversions and can settle to full specified accuracy, even with a full-scale input voltage step. This is due to the converter architecture which uses a combination of a high-speed delta-sigma modulator and a low-latency filter architecture.

Once power is established to the converter, a reset must be performed. A reset initializes the internal converter logic and sets the offset register to zero and the gain register to a decimal value of 1.0. If the  $\overline{CAL}$  pin is low when  $\overline{RST}$  transitions from low to high, no calibration will be performed. If  $\overline{CAL}$  is high when  $\overline{RST}$  goes high, the converter's offset & gain slope will be calibrated.

If  $\overline{CONV}$  is held low then the converter will convert continuously with  $\overline{RDY}$  falling every 320 MCLKs. This is equivalent to 50 kSps if  $MCLK = 16.0$  MHz. If  $\overline{CONV}$  is tied to  $\overline{RDY}$ , a conversion will occur every 322 MCLKs. If  $\overline{CONV}$  is operated asynchronously to MCLK, it may take up to 324 MCLKs from  $\overline{CONV}$  falling to  $\overline{RDY}$  falling.

Multiple converters can operate synchronously if they are driven by the same MCLK source and  $\overline{CONV}$  to each converter falls on the same MCLK falling edge. Alternately,  $\overline{CONV}$  can be held low and all devices are reset with  $\overline{RST}$  rising on the same falling edge of MCLK.

The output coding of the conversion word is a function of the  $\overline{BP/UP}$  pin.

The active-low  $\overline{SLEEP}$  signal causes the device to enter a low-power state. The calibration register contents are preserved during sleep. When exiting sleep, the converter will take 3083 MCLK cycles before conversions can be performed.  $\overline{RST}$  should remain inactive (high) when  $\overline{SLEEP}$  is asserted (low).

### 3.1 Reset and Calibration

After the power supplies and the voltage reference are stable, the converter must be reset. The reset function initializes the internal logic in the converter, but does not initiate calibration. After reset has been performed, the converter can be used uncalibrated, or calibration can be performed. Calibration minimizes offset and gain errors inside the converter. If the device is used without calibration, conversions will include the offset and gain errors of the uncalibrated converter, but the converter will maintain its differential and integral linearity. Calibration of offset and gain can be performed upon command.

Calibration can be initiated in either of two ways. If CAL is high when  $\overline{\text{RST}}$  transitions from low to high, a calibration cycle will be performed. When calibration is performed, the offset and full-scale points of the converter are calibrated. A calibration cycle takes 327,680 MCLK cycles. The RDY signal falls upon completion of reset and calibration sequence. If CAL is held low when RST transitions from low to high, no calibration will be performed. Calibrations can be initiated any time the converter is idle by taking the CAL input high. RDY will fall at the end of the calibration cycle. The CAL pin should be returned low when not being used.

A calibration cycle calibrates the offset and full-scale points of the converter transfer function. When the offset portion of the calibration is performed, the AIN+ and AIN- pins are disconnected from the input and shorted internally. The offset of the converter is then measured and a correction factor is stored in the offset calibration register. Then the voltage reference is internally connected to act as the input signal to the converter and a gain calibration is performed. The gain correction results are placed in the gain calibration register. The contents of the 24-bit offset and gain registers are used to map the conversion data prior to its output from the converter. The offset and gain calibration registers can be read and written if desired. To read or write the calibration registers inside of the converter, the converter must be idle, and the serial port must be in the SEC mode (SMODE = VLR). Table 1 depicts the commands necessary to read or write the calibration registers.

**Table 1. Offset & Gain Calibration Register Read/Write Commands**

Register	Read Command	Write Command
Offset Register	0x40	0xC0
Gain Register	0x20	0xA0

### 3.1.1 Offset Register

MSB	D22	D21	D20	D19	D18	D17	D16	D15	D14	D13	D12
Sign	$2^{-2}$										$2^{-12}$
0	0	0	0	0	0	0	0	0	0	0	0
D11	D10	D9	D8	D7	D6	D5	D4	D3	D2	D1	LSB
$2^{-11}$											$2^{-24}$
0	0	0	0	0	0	0	0	0	0	0	0

The offset register maps one for one with the conversion word when the gain register is set to 1 decimal. After reset all bits are zero.

### 3.1.2 Gain Register

MSB	D23	D22	D21	D20	D19	D18	D17	D16	D15	D14	D13
$2^2$	$2^1$	$2^0$	$2^{-1}$	$2^{-2}$	$2^{-3}$	$2^{-4}$	$2^{-5}$	$2^{-6}$	$2^{-7}$	$2^{-8}$	$2^{-9}$
0	0	1	0	0	0	0	0	0	0	0	0
D12	D11	D10	D9	D8	D7	D6	D5	D4	D3	D2	LSB
$2^{-10}$	$2^{-11}$	$2^{-12}$	$2^{-13}$	$2^{-14}$	$2^{-15}$	$2^{-16}$	$2^{-17}$	$2^{-18}$	$2^{-19}$	$2^{-20}$	$2^{-21}$
0	0	0	0	0	0	0	0	0	0	0	0

The gain register spans from 0 to  $(8 - 2^{-21})$ . After reset, bit D22 is 1, all others are 0. This results in a decimal gain value of 1.000....000.



The on-chip calibration registers can be read or written via the serial port. Reading or writing into the calibration registers requires that the serial port be in the SEC mode. To write into the offset or gain register, the appropriate 8-bit command (see [Table 1](#) on page 16) is first shifted into the SDI pin. Rising edges of SCLK latch the bits. To perform a write, the 8-bit command is immediately followed by the 24 bit data word to be written. When a read command is used, the 24 bit data word from the register will be output from the SDO pin. The data bits will be output on rising edges of SCLK. The data bits have sufficient hold time to be latched externally by the next rising edge of SCLK.

### 3.2 Conversion

The CS5560 converts at 50 kSps when synchronously operated ( $\overline{\text{CONV}} = \text{VLR}$ ) from a 16.0 MHz master clock. Conversion is initiated by taking  $\overline{\text{CONV}}$  low. A conversion lasts 320 master clock cycles, but if  $\overline{\text{CONV}}$  is asynchronous to MCLK there may be an uncertainty of 0-4 MCLK cycles after  $\overline{\text{CONV}}$  falls to when a conversion actually begins. This may extend the throughput to 324 MCLKs

When the conversion is completed, the output word is placed into the serial port and  $\overline{\text{RDY}}$  goes low. To convert continuously,  $\overline{\text{CONV}}$  should be held low. In continuous conversion mode with  $\overline{\text{CONV}}$  held low, a conversion is performed in 320 MCLK cycles. Alternately  $\overline{\text{RDY}}$  can be tied to  $\overline{\text{CONV}}$  and a conversion will occur every 322 MCLK cycles.

To perform only one conversion,  $\overline{\text{CONV}}$  should return high at least 20 master clock cycles before  $\overline{\text{RDY}}$  falls.

Once a conversion is completed and  $\overline{\text{RDY}}$  falls,  $\overline{\text{RDY}}$  will return high when all the bits of the data word are emptied from the serial port or if the conversion data is not read and  $\overline{\text{CS}}$  is held low,  $\overline{\text{RDY}}$  will go high two MCLK cycles before the end of conversion.  $\overline{\text{RDY}}$  will fall at the end of the next conversion when new data is put into the port register.

See [Serial Port](#) on page 24 for information about reading conversion data.

Conversion performance can be affected by several factors. These include the choice of clock source for the chip, the timing of  $\overline{\text{CONV}}$ , and the choice of the serial port mode.

The converter can be operated from an internal oscillator. This clock source has greater jitter than an external crystal-based clock. Jitter may not be an issue when measuring DC signals, or very-low-frequency AC signals, but can become an issue for higher frequency AC signals. For maximum performance when digitizing AC signals, a low-jitter MCLK should be used.

To maximize performance, the  $\overline{\text{CONV}}$  pin should be held low in the continuous conversion state to perform multiple conversions, or  $\overline{\text{CONV}}$  should occur synchronous to MCLK, falling when MCLK falls.

If the converter is operated at maximum throughput, the SSC serial port mode is less likely to cause interference to measurements as the SCLK output is synchronized to the MCLK. Alternately, any interference due to serial port clocking can also be minimized if data is read in the SEC serial port mode when a conversion is not in progress.

### 3.3 Clock

The CS5560 can be operated from its internal oscillator or from an external master clock. The state of MCLK determines which clock source will be used. If MCLK is tied low, the internal oscillator will start and be used as the clock source for the converter. If an external CMOS-compatible clock is input into MCLK the converter will power down the internal oscillator and use the external clock. If the MCLK pin is held high, the internal oscillator will be held in the stopped state. The MCLK input can be held high to delete clock cycles to aid in operating multiple converters in different phase relationships.

The internal oscillator can be used if the signals to be measured are essentially DC. The internal oscillator exhibits jitter at about 500 picoseconds rms. If the CS5560 is used to digitize AC signals, an external low-jitter clock source should be used.

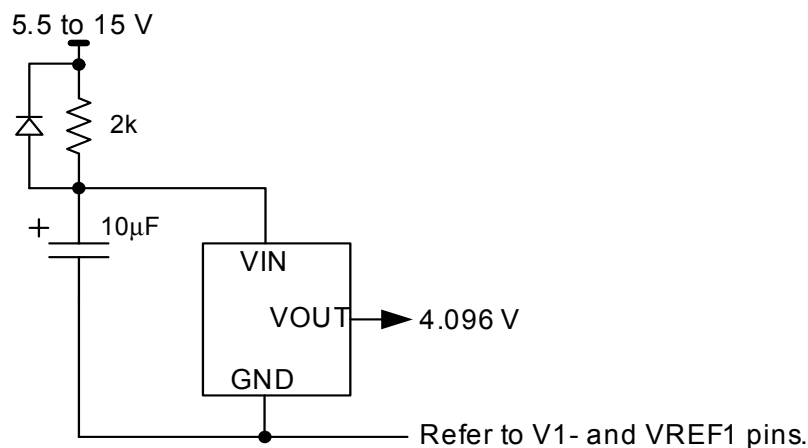
If the internal oscillator is used as the clock for the CS5560, the maximum conversion rate will be dictated by the oscillator frequency.

### 3.4 Voltage Reference

The voltage reference for the CS5560 can range from 2.4 volts to 4.2 volts. A 4.096 volt reference is required to achieve the specified performance. [Figure 7](#) and [Figure 8](#) illustrate the connection of the voltage reference with either a single +5 V analog supply or with  $\pm 2.5$  V.

For optimum performance, the voltage reference device should be one that provides a capacitor connection to provide a means of noise filtering, or the output should include some type of bandwidth-limiting filter. Some 4.096 volt reference devices need only 5 volts total supply for operation and can be connected as shown in [Figure 7](#) or [Figure 8](#). The reference should have a local bypass capacitor and an appropriate output capacitor.

Some older 4.096 voltage reference designs require more headroom and must operate from an input voltage of 5.5 to 6.5 volts. If this type of voltage reference is used ensure that when power is applied to the system, the voltage reference rise time is slower than the rise time of the V1+ and V1- power supply voltage to the converter. An example circuit to slow the output startup time of the reference is illustrated in [Figure 6](#).



**Figure 6. Voltage Reference Circuit**

### 3.5 Analog Input

The analog input of the converter is fully differential with a peak input of 4.096 volts on each input. This is illustrated in [Figure 7](#) and [Figure 8](#). These diagrams also illustrate a differential buffer amplifier configuration for driving the CS5560.

The capacitors at the outputs of the amplifiers provide a charge reservoir for the dynamic current from the A/D inputs while the resistors isolate the dynamic current from the amplifier. The amplifiers can be powered from higher supplies than those used by the A/D but precautions should be taken to ensure that the op amp output voltage remains within the power supply limits of the A/D, especially under start-up conditions.

### 3.6 Output Coding Format

The reference voltage directly defines the input voltage range in both the unipolar and bipolar configurations. In the unipolar configuration (BP/ $\overline{UP}$  low), the first code transition occurs 0.5 LSB above zero, and the final code transition occurs 1.5 LSBs below VREF. In the bipolar configuration (BP/ $\overline{UP}$  high), the first code transition occurs 0.5 LSB above -VREF and the last transition occurs 1.5 LSBs below +VREF. See [Table 2](#) for the output coding of the converter.

**Table 2. Output Coding, Two's Complement**

Bipolar Input Voltage	Two's Complement
$>(\overline{VREF}-1.5 \text{ LSB})$	7F FF FF
$\overline{VREF}-1.5 \text{ LSB}$	7F FF FF
	7F FF FE
-0.5 LSB	00 00 00
	FF FF FF
$-\overline{VREF}+0.5 \text{ LSB}$	80 00 01
	80 00 00
$<(-\overline{VREF}+0.5 \text{ LSB})$	80 00 00

NOTE:  $VREF = (VREF+) - (VREF-)$

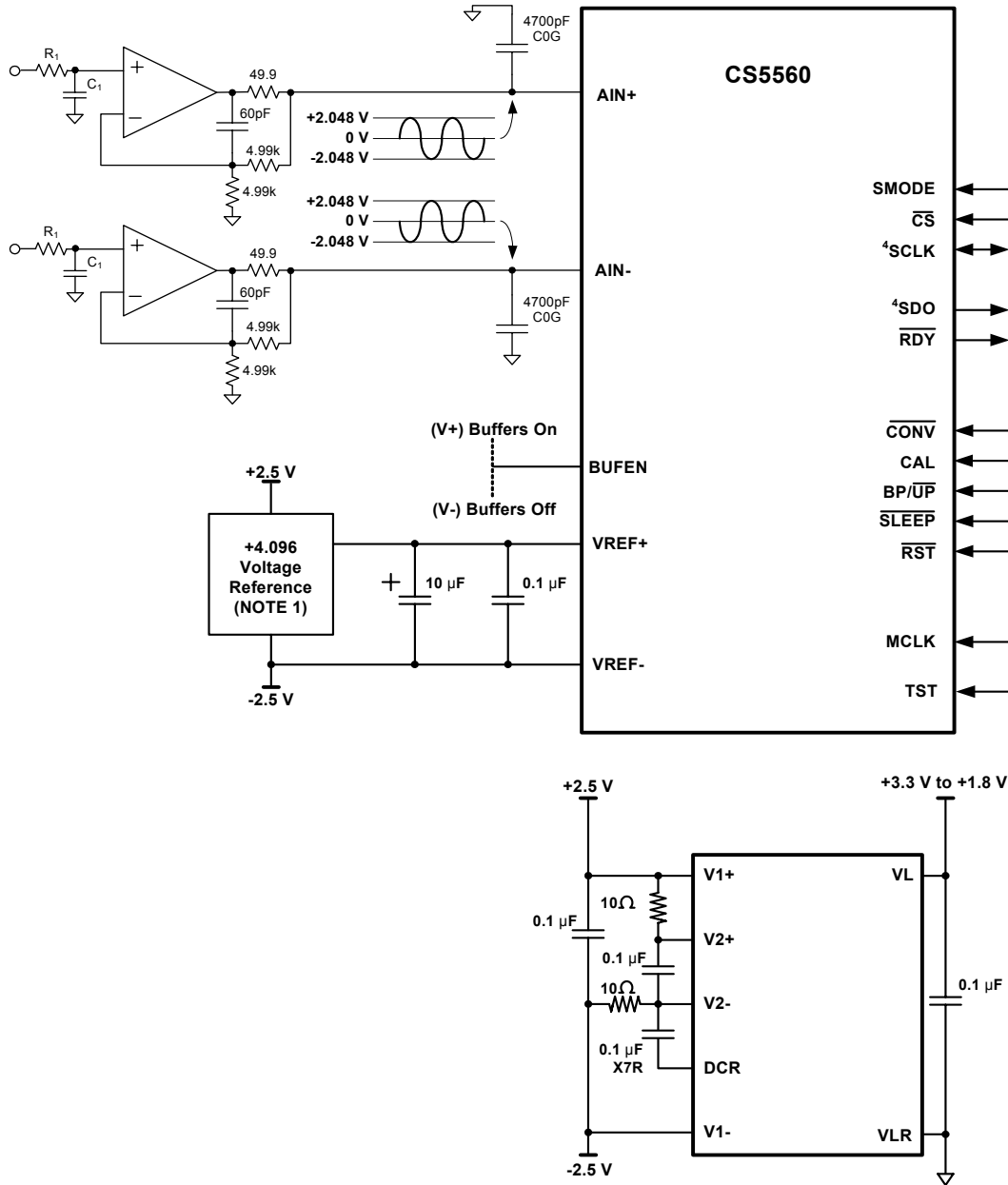
**Table 3. Output Coding, Offset Binary**

Unipolar Input Voltage	Offset Binary
$>(\overline{VREF}-1.5 \text{ LSB})$	FF FF FF
$\overline{VREF}-1.5 \text{ LSB}$	FF FF FF
	FF FF FE
$(\overline{VREF}/2)-0.5 \text{ LSB}$	80 00 00
	7F FF FF
+0.5 LSB	00 00 01
	00 00 00
$<(+0.5 \text{ LSB})$	00 00 00

NOTE:  $VREF = (VREF+) - (VREF-)$

### 3.7 Typical Connection Diagrams

The following figure depicts the CS5560 powered from bipolar analog supplies, +2.5 V and -2.5 V.

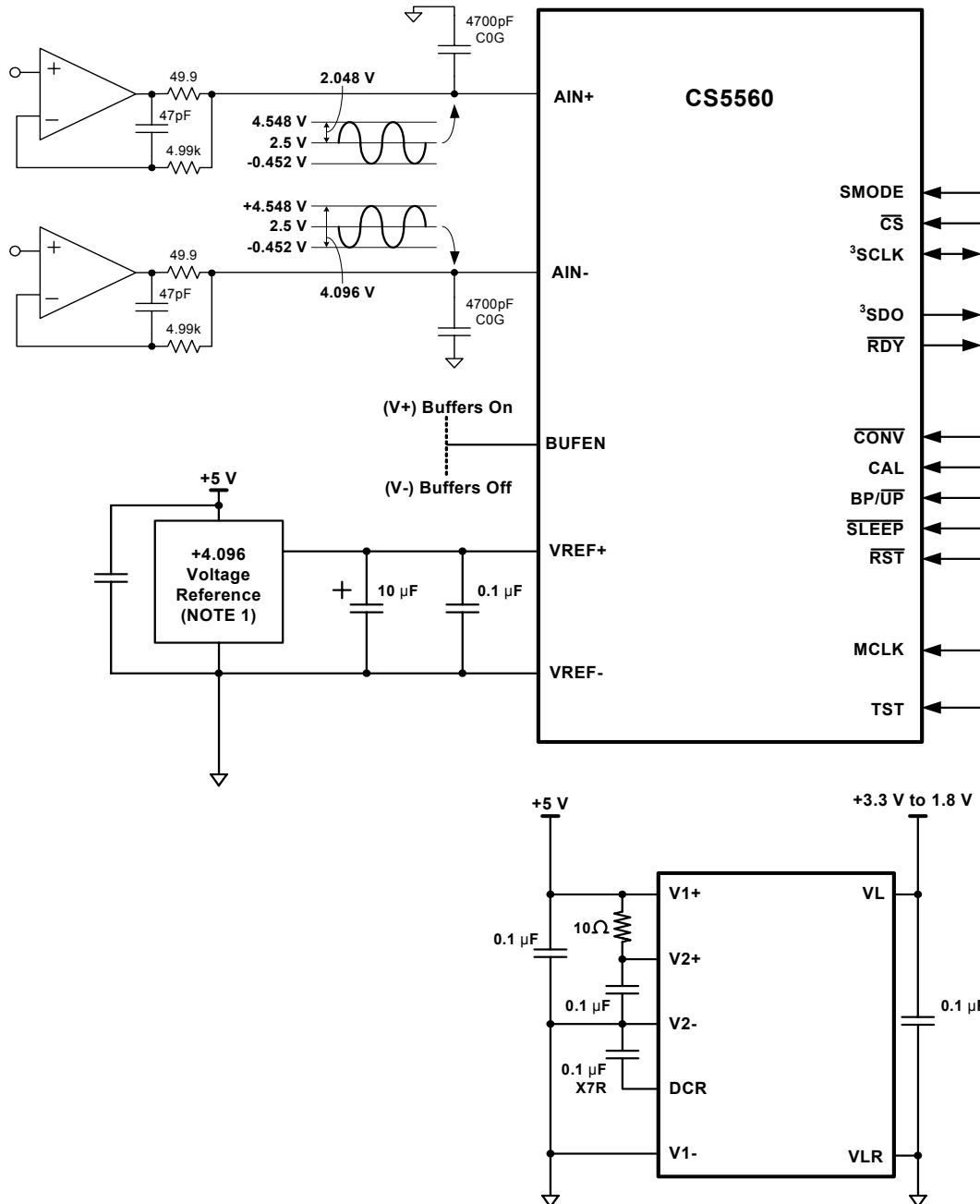


**NOTES**

1. See Section 3.4 Voltage Reference for information on required voltage reference performance criteria.
2. Locate capacitors so as to minimize loop length.
3. The  $\pm 2.5$  V supplies should also be bypassed to ground at the converter.
4. VLR and the power supply ground for the  $\pm 2.5$  V should be connected to the same ground plane under the chip.
5. SCLK and SDO may require pull-down resistors in some applications.
6. An RC input filter can be used to band limit the input to reduce noise. Select R to be equal to the parallel combination of the feedback of the feedback resistors  $4.99k \parallel 4.99k = 2.5k$  )

**Figure 7. CS5560 Configured Using  $\pm 2.5$ V Analog Supplies**

The following figure depicts the CS5560 device powered from a single 5V analog supply.



**NOTES**

1. See Section 3.4 Voltage Reference for information on required voltage reference performance criteria.
2. Locate capacitors so as to minimize loop length.
3. V1-, V2-, and VLR should be connected to the same ground plane under the chip.
4. SCLK and SDO may require pull-down resistors in some applications.

**Figure 8. CS5560 Configured Using a Single 5V Analog Supply**

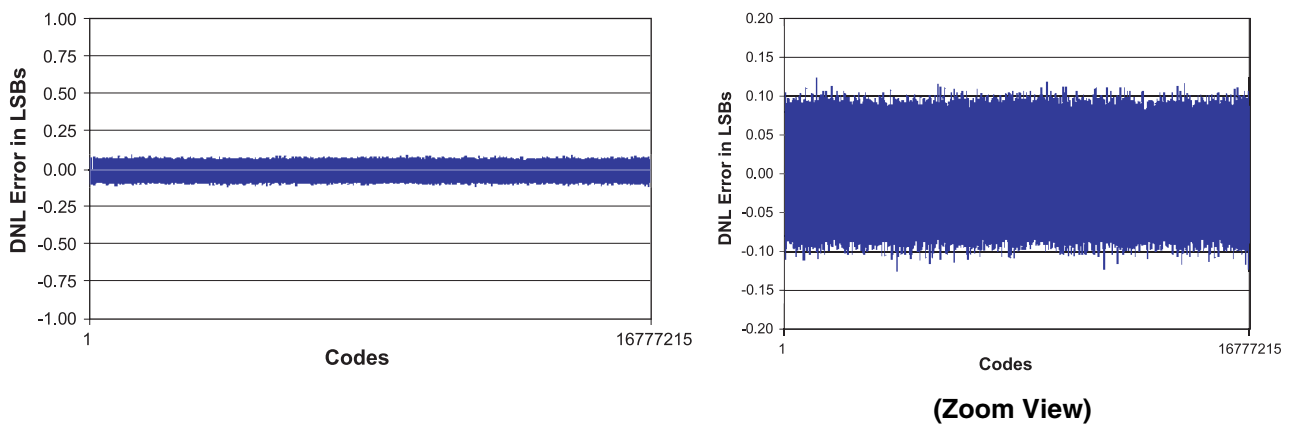
### 3.8 AIN & VREF Sampling Structures

The CS5560 uses on-chip buffers on the AIN+, AIN-, and the VREF+ inputs. Buffers provide much higher input impedance and therefore reduce the amount of drive current required from an external source. This helps minimize errors.

The Buffer Enable (BUFEN) pin determines if the on-chip buffers are used or not. If the BUFEN pin is connected to the V1+ supply the buffers will be enabled. If the BUFEN pin is connected to the V1- pin the buffers are off. The converter will consume about 30 mW less power when the buffers are off, but the input impedances of AIN+, AIN- and VREF+ will be significantly less than with the buffers enabled.

### 3.9 Converter Performance

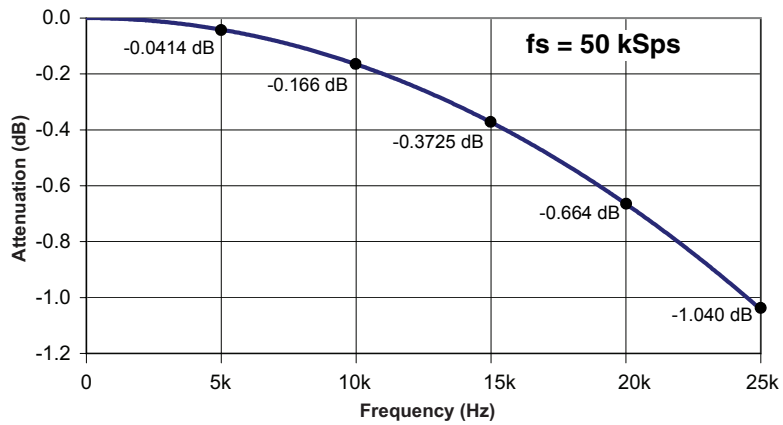
The CS5560 achieves excellent differential nonlinearity (DNL) as shown in Figure 9. Figure 9 illustrates the code widths on the typical scale of  $\pm 1$  LSB and on a zoomed scale of  $\pm 0.2$  LSB.



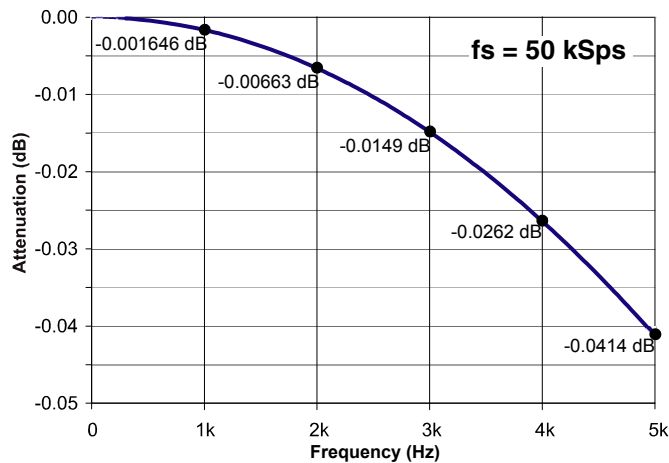
**Figure 9. CS5560 DNL Plot**

### 3.10 Digital Filter Characteristics

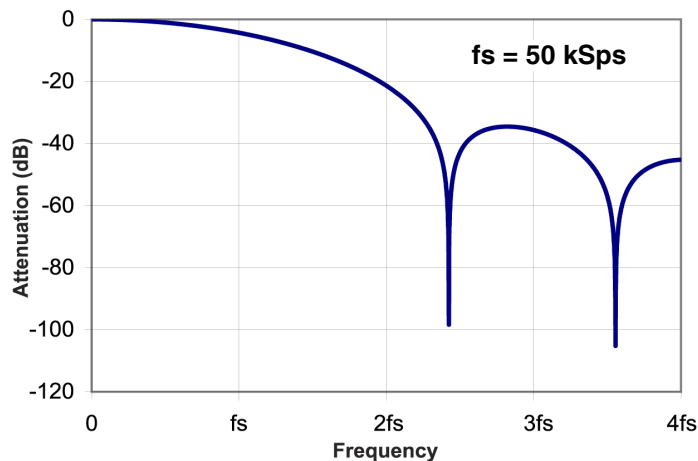
The digital filter is designed for fast settling, therefore it exhibits very little in-band attenuation. The filter attenuation is 1.040 dB at 25 kHz when sampling at 50 kSps.



**Figure 10. CS5560 Spectral Response (DC to  $f_s/2$ )**



**Figure 11. CS5560 Spectral Response (DC to 5 kHz)**



**Figure 12. CS5560 Spectral Response (DC to  $4f_s$ )**

### 3.11 Serial Port

The serial port on the CS5560 can operate in two different modes: synchronous self clock (SSC) mode & synchronous external clock (SEC) mode. The serial port must be placed into the SEC mode if the offset and gain registers of the converter are to be read or written. The converter must be idle when reading or writing to the on-chip registers.

#### 3.11.1 SSC Mode

If the SMODE pin is high (SMODE = VL), the serial port operates in the SSC (Synchronous Self Clock) mode. In the SSC mode the port shifts out conversion data words with SCLK as an output. SCLK is generated inside the converter from MCLK. Data is output from the SDO (Serial Data Output) pin. If  $\overline{CS}$  is high, the SDO and SCLK pins will stay in a high-impedance state. If  $\overline{CS}$  is low when  $\overline{RDY}$  falls, the conversion data word will be output from SDO MSB first. Data is output on the rising edge of SCLK and should be latched into the external logic on the subsequent rising edge of SCLK. When all bits of the conversion word are output from the port the  $\overline{RDY}$  signal will return to high.

#### 3.11.2 SEC Mode

If the SMODE pin is low (SMODE = VLR), the serial port operates in the SEC (Synchronous External Clock mode). In this mode, the user usually monitors  $\overline{RDY}$ . When  $\overline{RDY}$  falls at the end of a conversion, the conversion data word is placed into the output data register in the serial port.  $\overline{CS}$  is then activated low to enable data output. Note that  $\overline{CS}$  can be held low continuously if it is not necessary to have the SDO output operate in the high impedance state. When  $\overline{CS}$  is taken low (after  $\overline{RDY}$  falls) the conversion data word is then shifted out of the SDO pin by driving the SCLK pin from system logic external to the converter. The SDI input must be held low when reading conversion word data. Data bits are advanced on rising edges of SCLK and latched by the subsequent rising edge of SCLK.

If  $\overline{CS}$  is held low continuously, the  $\overline{RDY}$  signal will fall at the end of a conversion and the conversion data will be placed into the serial port. If the user starts a read, the user will maintain control over the serial port until the port is empty. However, if SCLK is not toggled, the converter will overwrite the conversion data at the completion of the next conversion. If  $\overline{CS}$  is held low and no read is performed,  $\overline{RDY}$  will rise just prior to the end of the next conversion and then fall to signal that new data has been written into the serial port.



### 3.12 Power Supplies & Grounding

The CS5560 can be configured to operate with its analog supply operating from 5V, or with its analog supplies operating from  $\pm 2.5V$ . The digital interface supports digital logic operating from either 1.8V, 2.5V, or 3.3V.

[Figure 7](#) on page 20 illustrates the device configured to operate from  $\pm 2.5V$  analog. [Figure 8](#) on page 21 illustrates the device configured to operate from 5V analog.

To maximize converter performance, the analog ground and the logic ground for the converter should be connected at the converter. In the dual analog supply configuration, the analog ground for the  $\pm 2.5V$  supplies should be connected to the VLR pin at the converter with the converter placed entirely over the analog ground plane.

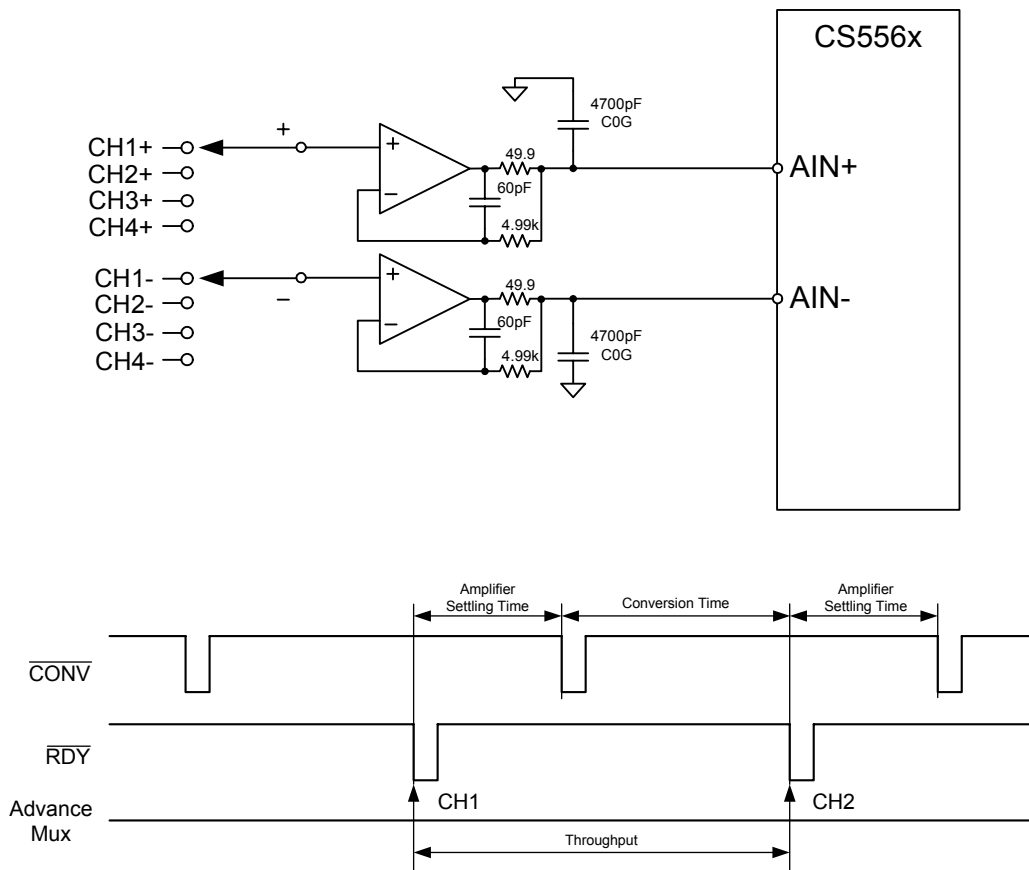
In the single analog supply configuration (+5V), the ground for the +5V supply should be directly tied to the VLR pin of the converter with the converter placed entirely over the analog ground plane. Refer to [Figure 8](#) on page 21.

### 3.13 Using the CS5560 in Multiplexing Applications

The CS5560 is a delta-sigma A/D converter. Delta-sigma converters use oversampling as means to achieve high signal to noise. This means that once a conversion is started the converter takes many samples to compute the resulting output word. The analog input for the signal to be converted must remain active during the entire conversion until  $\overline{RDY}$  falls.

The CS5560 can be used in multiplexing applications, but the system timing for changing the multiplexer channel and for starting a new conversion will depend upon the multiplexer system architecture.

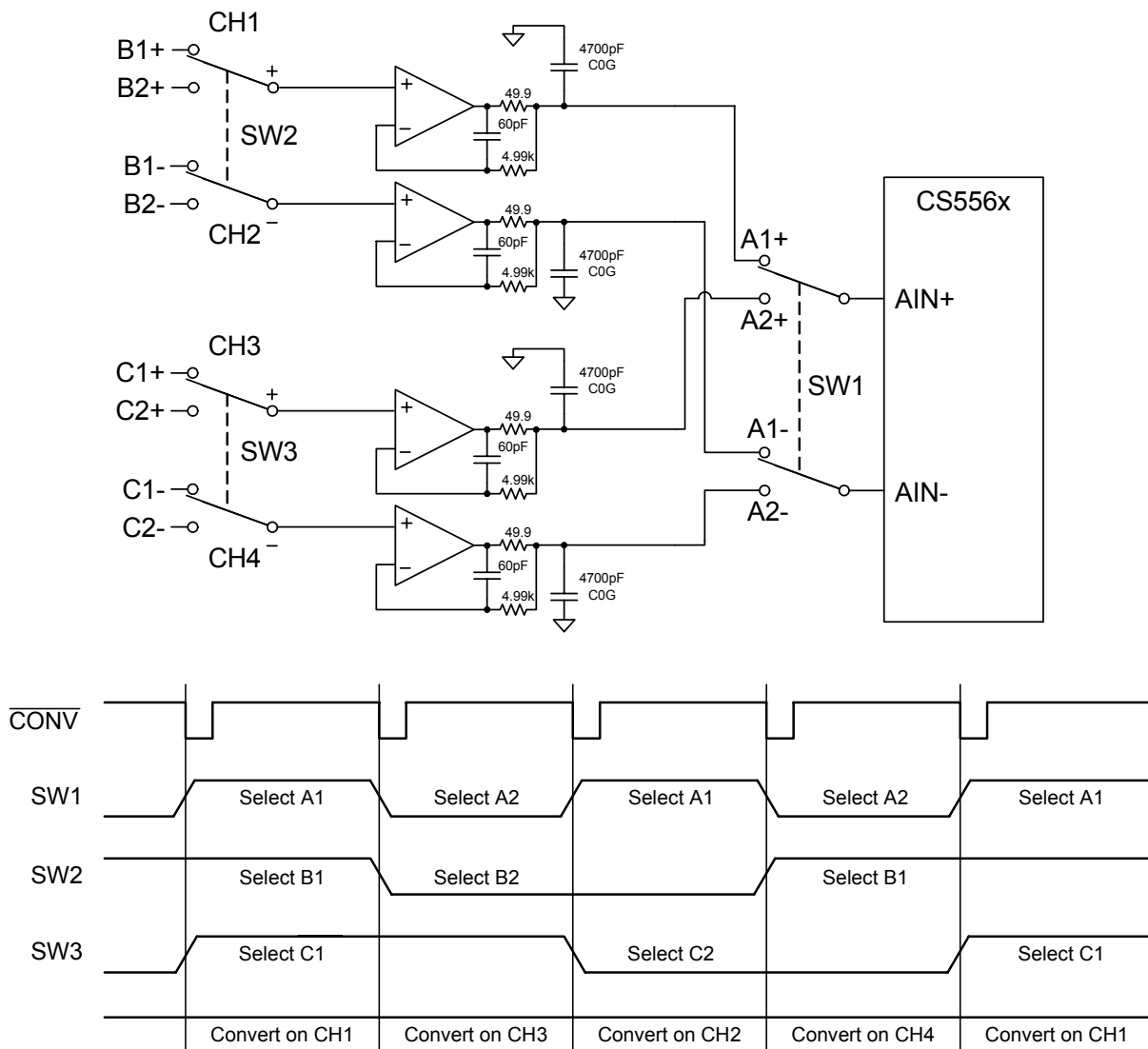
The simplest system is illustrated in [Figure 13](#). Any time the multiplexer is changed, the analog signal presented to the converter must fully settle. After the signal has settled, the  $\overline{CONV}$  signal is issued to the converter to start a conversion. Being a delta-sigma converter, the signal must remain present at the input of the converter until the conversion is completed. Once the conversion is completed,  $\overline{RDY}$  falls. At this time the multiplexer can be changed to the next channel and the data can be read from the serial port. The  $\overline{CONV}$  signal should be delayed until after the data is read and until the new analog signal has settled. In this configuration, the throughput of the converter will be dictated by the settling time of the analog input circuit and the conversion time of the converter. The conversion data can be read from the serial port after the multiplexer is changed to the new channel while the analog input signal is settling.



**Figure 13. Simple Multiplexing Scheme**

A more complex multiplexing scheme can be used to increase the throughput of the converter is illustrated in [Figure 14](#). In this circuit, two banks of multiplexers are used.

At the same time the converter is performing a conversion on a channel from one bank of multiplexers, the second multiplexer bank is used to select the channel for the next conversion. This configuration allows the buffer amplifier for the second multiplexer bank to fully settle while a conversion is being performed on the channel from the first multiplexer bank. The multiplexer on the output of the buffer amplifier and the CONV signal can be changed at the same time in this configuration. This multiplexing architecture allows for maximum multiplexing throughput from the A/D converter. The following figure depicts the recommended analog input amplifier circuit.



**Figure 14. More Complex Multiplexing Scheme**

### 3.14 Synchronizing Multiple Converters

Many measurement systems have multiple converters that need to operate synchronously. The converters should all be driven from the same master clock. In this configuration, the converters will convert synchronously if the same CONV signal is used to drive all the converters, and CONV falls on a falling edge of MCLK. If CONV is held low continuously, reset (RST) can be used to synchronize multiple converters if RST is released on a falling edge of MCLK.

## 4. PIN DESCRIPTIONS

Chip Select	$\overline{\text{CS}}$	1 ●	24	$\overline{\text{RDY}}$	Ready
Serial Data Input	<b>SDI</b>	2	23	<b>SCLK</b>	Serial Clock Input/Output
Serial Mode Select	<b>SMODE</b>	3	22	<b>SDO</b>	Serial Data Output
Differential Analog Input	<b>AIN+</b>	4	21	<b>VL</b>	Logic Interface Power
Differential Analog Input	<b>AIN-</b>	5	20	<b>VLR</b>	Logic Interface Return
Negative Power 1	<b>V1-</b>	6	19	<b>MCLK</b>	Master Clock
Positive Power 1	<b>V1+</b>	7	18	<b>V2-</b>	Negative Voltage 2
Buffer Enable	<b>BUFEN</b>	8	17	<b>V2+</b>	Positive Voltage 2
Voltage Reference Input	<b>VREF+</b>	9	16	<b>DCR</b>	Digital Core Regulator
Voltage Reference Input	<b>VREF-</b>	10	15	<b>CONV</b>	Convert
Bipolar/Unipolar Select	<b>BP/UP</b>	11	14	<b>CAL</b>	Calibrate
Sleep Mode Select	<b>SLEEP</b>	12	13	<b>RST</b>	Reset

### $\overline{\text{CS}}$ – Chip Select, Pin 1

The Chip Select pin allows an external device to access the serial port. If  $\text{SMODE} = \text{VL}$  (SSC Mode) and  $\overline{\text{CS}}$  is held high, the SDO output and the SCLK output will be held in a high-impedance output state.

### SDI – Serial Data Input, Pin 2

SDI is the input pin for reading and writing calibration registers via the serial port. SDI is only accessible when  $\text{SMODE}$  is set to enable the SEC serial mode. Data is shifted into this pin by SCLK. SDI should be held low when the serial port is in SSC mode.

### SMODE – Serial Mode Select, Pin 3

The serial interface mode pin ( $\text{SMODE}$ ) dictates whether the serial port behaves as a master or slave interface. If  $\text{SMODE}$  is tied high (to VL), the port will operate in the Synchronous Self-Clocking (SSC) mode. In SSC mode the port acts as a master in which the converter outputs both the SDO and SCLK signals. If  $\text{SMODE}$  is tied low (to VLR) the port will operate in the Synchronous External Clocking (SEC) mode. In SEC mode, the port acts as a slave in which the external logic or microcontroller generates the SCLK used to output the conversion data word from the SDO pin.

### AIN+, AIN- – Differential Analog Input, Pin 4, 5

AIN+ and AIN- are differential inputs for the converter.

### V1- – Negative Power 1, Pin 6

The V1- and V2- pins provide a negative supply voltage to the core circuitry of the chip. These two pins should be decoupled as shown in the application block diagrams. V1- and V2- should be supplied from the same source voltage. For single supply operation these two voltages are nominally 0 V (Ground). For dual supply operation they are nominally -2.5 V.

### V1+ – Positive Power 1, Pin 7

The V1+ and V2+ pins provide a positive supply voltage to the core circuitry of the chip. These two pins should be decoupled as shown in the application block diagrams. V1+ and V2+ should be supplied from the same source voltage. For single supply operation these two voltages are nominally +5 V. For dual supply operation they are nominally +2.5 V.

### BUFEN – Buffer Enable, Pin 8

Buffers on input pins AIN+ and AIN- are enabled if BUFEN is connected to V1+ and disabled if connected to V1-.

**VREF+, VREF- – Voltage Reference Input, Pin 9, 10**

A differential voltage reference input on these pins functions as the voltage reference for the converter. The voltage between these pins can range between 2.4 volts and 4.2 volts, with 4.096 volts being the nominal reference voltage value.

 **$\overline{\text{BP/UP}}$  – Bipolar/Unipolar Select, Pin 11**

The BP/UP pin determines the span and the output coding of the converter. When set high to select BP (bipolar), the input span of the converter is -4.096 volts to +4.096 volts fully differential (assuming the voltage reference is 4.096 volts) and outputs data is coded in two's complement format. When set low to select UP (unipolar), the input span is 0 to +4.096 fully differential and the output data is coded in binary format.

 **$\overline{\text{SLEEP}}$  – Sleep Mode Select, Pin 12**

When taken low, the SLEEP pin will cause the converter to enter into a low-power state.  $\overline{\text{SLEEP}}$  will stop the internal oscillator and power down all internal analog circuitry.

 **$\overline{\text{RST}}$  – Reset, Pin 13**

Reset is necessary after power is initially applied to the converter. When the  $\overline{\text{RST}}$  input is taken low, the logic in the converter will be reset. When  $\overline{\text{RST}}$  is released to go high, certain portions of the analog circuitry are started.  $\overline{\text{RDY}}$  falls when reset is complete.

**CAL – Calibrate, Pin 14**

After power is applied, a reset should be performed prior to calibration. After an initial reset, calibration can be performed at any time. Calibration can be initiated in either of two ways. If CAL is high when coming out of reset, ( $\overline{\text{RST}}$  going high), a calibration will be performed. If  $\overline{\text{RST}}$  is taken high with CAL low, a calibration is not performed, but calibration can be initiated by taking CAL high at any time the converter is idle.  $\overline{\text{RDY}}$  will also fall when calibration is completed.

 **$\overline{\text{CONV}}$  – Convert, Pin 15**

The  $\overline{\text{CONV}}$  pin initiates a conversion cycle if taken low, unless a calibration cycle or a previous conversion is in progress. When the conversion cycle is completed, the conversion word is output to the serial port register and the  $\overline{\text{RDY}}$  signal goes low. If  $\overline{\text{CONV}}$  is held low and remains low when  $\overline{\text{RDY}}$  falls another conversion cycle will be started.

**DCR – Digital Core Regulator, Pin 16**

DCR is the output of the on-chip regulator for the digital logic core. DCR should be bypassed with a capacitor to V2-. The DCR pin is not designed to power any external load.

**V2+ – Positive Power 2, Pin 17**

The V1+ and V2+ pins provide a positive supply voltage to the circuitry of the chip. These two pins should be decoupled as shown in the application block diagrams. V1+ and V2+ should be supplied from the same source voltage. For single supply operation these two voltages are nominally +5 V. For dual supply operation they are nominally +2.5 V.

**V2- – Negative Power 2, Pin 18**

The V1- and V2- pins provide a negative supply voltage to the circuitry of the chip. These two pins should be decoupled as shown in the application block diagrams. V1- and V2- should be supplied from the same source voltage. For single supply operation these two voltages are nominally 0 V (Ground). For dual supply operation they are nominally -2.5 V.

**MCLK – Master Clock, Pin 19**

The master clock pin (MCLK) is a multi-function pin. If tied low (MCLK = VLR) the on-chip oscillator will be enabled. If tied high (MCLK = VL), all clocks to the internal circuitry of the converter will stop. When MCLK is held high the internal oscillator will also be stopped. MCLK can also function as the input for an external CMOS-compatible clock that conforms to supply voltages on the VL and VLR pins.

**VLR, VL – Logic Interface Power/Return, Pin 20, 21**

VL and VLR are the supply voltages for the digital logic interface. VL and VLR can be configured with a wide range of common mode voltage. The following interface pins function from the VL/VLR supply: SMODE,  $\overline{CS}$ , SCLK, SDI, SDO,  $\overline{RDY}$ , SLEEP, CONV,  $\overline{RST}$ , CONV, CAL, BP/ $\overline{UP}$ , and MCLK.

**SDO – Serial Data Output, Pin 22**

SDO is the output pin for the serial output port. Data from this pin will be output at a rate determined by SCLK and in a format determined by the BP/ $\overline{UP}$  pin. Data is output MSB first and advances to the next data bit on the rising edges of SCLK. SDO will be in a high impedance state when  $\overline{CS}$  is high.

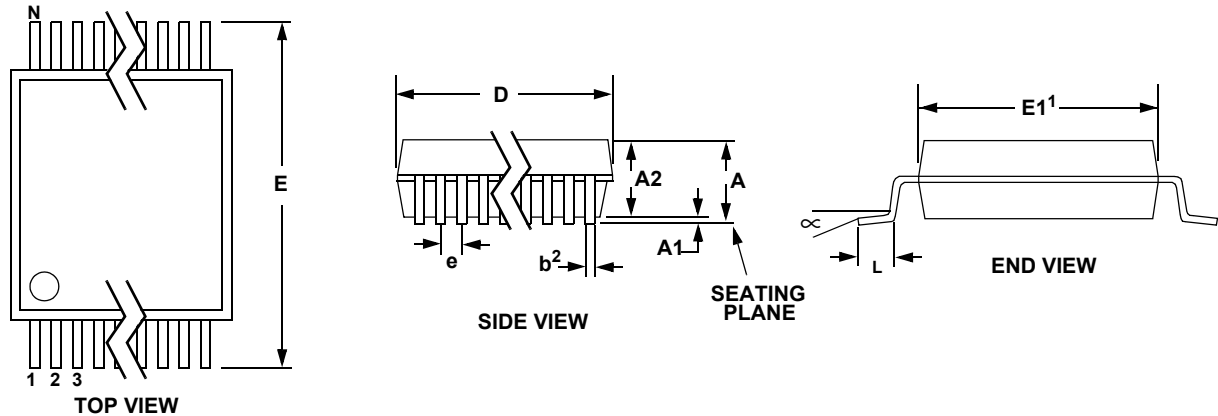
**SCLK – Serial Clock Input/Output, Pin 23**

The SMODE pin determines whether the SCLK signal is an input or an output signal. SCLK determines the rate at which data is clocked out of the SDO pin. If the converter is in SSC mode, the SCLK frequency will be determined by the master clock frequency of the converter (either MCLK or the internal oscillator). In SEC mode, the user determines the SCLK frequency.

If SMODE = VL (SSC Mode), SCLK will be in a high-impedance state when  $\overline{CS}$  is high.

 **$\overline{RDY}$  – Ready, Pin 24**

The  $\overline{RDY}$  signal rises when a calibration is initiated. When the calibration is near completion the state of  $\overline{CONV}$  is examined. If  $\overline{CONV}$  is high, the  $\overline{RDY}$  signal will fall upon the completion of calibration. If  $\overline{CONV}$  is low the converter will immediately start a conversion and  $\overline{RDY}$  will remain high until the conversion is completed. At the end of any conversion  $\overline{RDY}$  falls to indicate that a conversion word has been placed into the serial port.  $\overline{RDY}$  will return high after all data bits are shifted out of the serial port or two master clock cycles before new data becomes available if the  $\overline{CS}$  pin is inactive (high); or two master clock cycles before new data becomes available if the user holds  $\overline{CS}$  low but has not started reading the data from the converter when in SEC mode.

**5. PACKAGE DIMENSIONS**
**24L SSOP PACKAGE DRAWING**


DIM	INCHES			MILLIMETERS			NOTE
	MIN	NOM	MAX	MIN	NOM	MAX	
A	--	--	0.084	--	--	2.13	
A1	0.002	0.006	0.010	0.05	0.13	0.25	
A2	0.064	0.068	0.074	1.62	1.73	1.88	
b	0.009	--	0.015	0.22	--	0.38	2,3
D	0.311	0.323	0.335	7.90	8.20	8.50	1
E	0.291	0.307	0.323	7.40	7.80	8.20	
E1	0.197	0.209	0.220	5.00	5.30	5.60	1
e	0.022	0.026	0.030	0.55	0.65	0.75	
L	0.025	0.03	0.041	0.63	0.75	1.03	
∞	0°	4°	8°	0°	4°	8°	

**JEDEC #: MO-150**

Controlling Dimension is Millimeters.

- Notes:**
1. "D" and "E1" are reference datums and do not include mold flash or protrusions, but do include mold mismatch and are measured at the parting line, mold flash or protrusions shall not exceed 0.20 mm per side.
  2. Dimension "b" does not include dambar protrusion/intrusion. Allowable dambar protrusion shall be 0.13 mm total in excess of "b" dimension at maximum material condition. Dambar intrusion shall not reduce dimension "b" by more than 0.07 mm at least material condition.
  3. These dimensions apply to the flat section of the lead between 0.10 and 0.25 mm from lead tips.

## 6. ORDERING INFORMATION

Model	Linearity	Temperature	Conversion Time	Throughput	Package
CS5560-ISZ	0.0007%	-40 to +85 °C	20 μs	50 kSps	24-pin SSOP

## 7. ENVIRONMENTAL, MANUFACTURING, & HANDLING INFORMATION

Model Number	Peak Reflow Temp	MSL Rating*	Max Floor Life
CS5560-ISZ	260 °C	3	7 Days

\* MSL (Moisture Sensitivity Level) as specified by IPC/JEDEC J-STD-020.

## 8. REVISION HISTORY

Revision	Date	Changes
A1	MAY 2007	Advance release.
A2	JUN 2007	Updated serial interface timing parameters.
A3	JUN 2007	Added DNL plot.
A4	JUN 2007	Updated Typical Connection diagram.
A5	AUG 2007	Corrected linearity spec. in Ordering Information section.

---

### Contacting Cirrus Logic Support

For all product questions and inquiries contact a Cirrus Logic Sales Representative.

To find the one nearest to you go to [www.cirrus.com](http://www.cirrus.com)

---

#### IMPORTANT NOTICE

"Advance" product information describes products that are in development and subject to development changes.

Cirrus Logic, Inc. and its subsidiaries ("Cirrus") believe that the information contained in this document is accurate and reliable. However, the information is subject to change without notice and is provided "AS IS" without warranty of any kind (express or implied). Customers are advised to obtain the latest version of relevant information to verify, before placing orders, that information being relied on is current and complete. All products are sold subject to the terms and conditions of sale supplied at the time of order acknowledgment, including those pertaining to warranty, indemnification, and limitation of liability. No responsibility is assumed by Cirrus for the use of this information, including use of this information as the basis for manufacture or sale of any items, or for infringement of patents or other rights of third parties. This document is the property of Cirrus and by furnishing this information, Cirrus grants no license, express or implied under any patents, mask work rights, copyrights, trademarks, trade secrets or other intellectual property rights. Cirrus owns the copyrights associated with the information contained herein and gives consent for copies to be made of the information only for use within your organization with respect to Cirrus integrated circuits or other products of Cirrus. This consent does not extend to other copying such as copying for general distribution, advertising or promotional purposes, or for creating any work for resale.

CERTAIN APPLICATIONS USING SEMICONDUCTOR PRODUCTS MAY INVOLVE POTENTIAL RISKS OF DEATH, PERSONAL INJURY, OR SEVERE PROPERTY OR ENVIRONMENTAL DAMAGE ("CRITICAL APPLICATIONS"). CIRRUS PRODUCTS ARE NOT DESIGNED, AUTHORIZED OR WARRANTED FOR USE IN AIRCRAFT SYSTEMS, MILITARY APPLICATIONS, PRODUCTS SURGICALLY IMPLANTED INTO THE BODY, AUTOMOTIVE SAFETY OR SECURITY DEVICES, LIFE SUPPORT PRODUCTS OR OTHER CRITICAL APPLICATIONS. INCLUSION OF CIRRUS PRODUCTS IN SUCH APPLICATIONS IS UNDERSTOOD TO BE FULLY AT THE CUSTOMER'S RISK AND CIRRUS DISCLAIMS AND MAKES NO WARRANTY, EXPRESS, STATUTORY OR IMPLIED, INCLUDING THE IMPLIED WARRANTIES OF MERCHANTABILITY AND FITNESS FOR PARTICULAR PURPOSE, WITH REGARD TO ANY CIRRUS PRODUCT THAT IS USED IN SUCH A MANNER. IF THE CUSTOMER OR CUSTOMER'S CUSTOMER USES OR PERMITS THE USE OF CIRRUS PRODUCTS IN CRITICAL APPLICATIONS, CUSTOMER AGREES, BY SUCH USE, TO FULLY INDEMNIFY CIRRUS, ITS OFFICERS, DIRECTORS, EMPLOYEES, DISTRIBUTORS AND OTHER AGENTS FROM ANY AND ALL LIABILITY, INCLUDING ATTORNEYS' FEES AND COSTS, THAT MAY RESULT FROM OR ARISE IN CONNECTION WITH THESE USES.

Cirrus Logic, Cirrus, and the Cirrus Logic logo designs are trademarks of Cirrus Logic, Inc. All other brand and product names in this document may be trademarks or service marks of their respective owners.