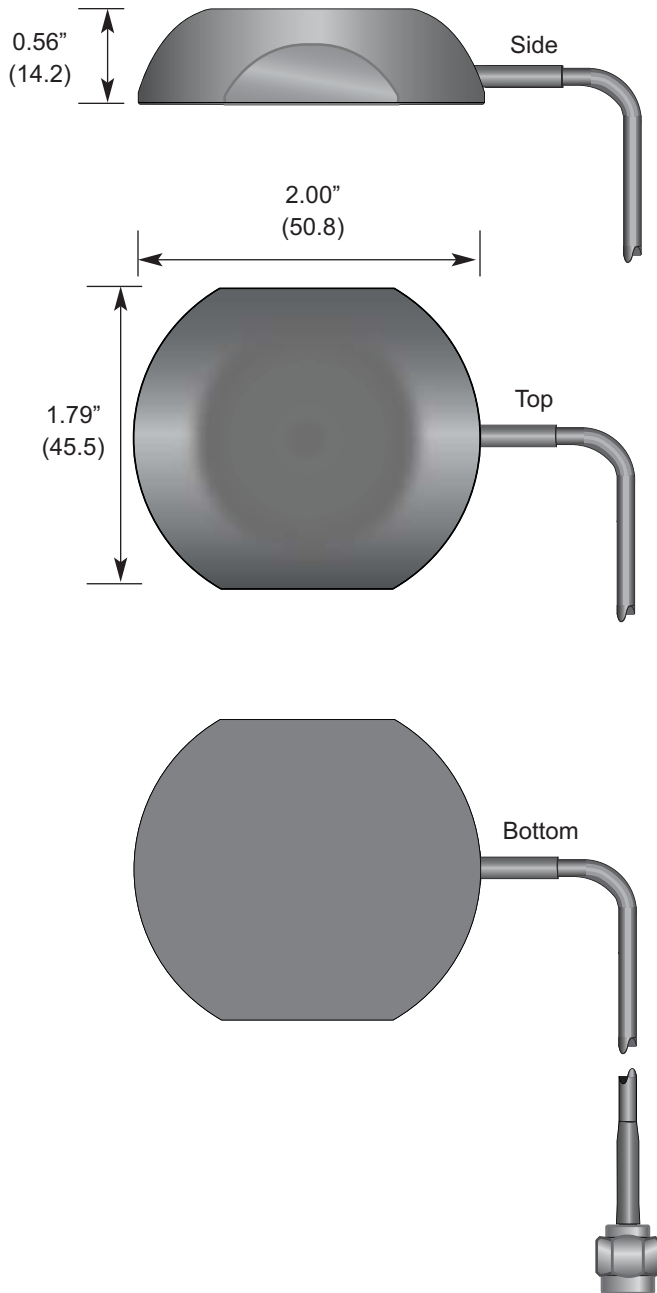


Product Dimensions



Description



UC Series GPS antennas deliver high-gain, low-noise performance in a rugged and cosmetically attractive package. They feature a wide operating temperature, wide operating voltage, and low current consumption. The antennas attach via a standard SMA or MCX connector.

Features

- Compact
- High-gain, low-noise design
- Low current consumption
- Wide operating voltage
- Wide operating temperature
- Fully weatherized / waterproof
- Rugged & damage-resistant
- Magnetic mount

Electrical Specifications

- Center Freq. 1575.42MHz
- Bandwidth 9MHz minimum
- Impedance 50 ohms
- VSWR 1.5 maximum
- Ant. Gain 90° 3.0dBi
- Polarization RHCP
- Axial Ratio 90° 3.0dBi maximum
- System Gain 28dBi typ.
- Noise 2.2dB maximum
- Input Voltage 3.0-5.0 VDC
- Power Consum. 20mA maximum
- Oper. Temp. -31°F to +185°F (-35°C to +85°C)
- Mounting Magnetic
- Cable RG-174
- Cable Length 197" +/-6" (5m +/-150mm)
- Connector RP-SMA

Ordering Information

- ANT-GPS-UC-SMA (with SMA connector)
- ANT-GPS-UC-MCX (with MCX connector)