

PLEASE CHECK WWW.MOLEX.COM FOR LATEST PART INFORMATION

Part Number: [0197054103](#)
Status: **Active**
Description: PCB Tab Quick Disconnect, Male, for Wire, Metal Strip, Tab 4.75mm (.187") x 0.81mm (.032")

Documents:

[Drawing \(PDF\)](#) [RoHS Certificate of Compliance \(PDF\)](#)
[Product Specification PS-19708-001 \(PDF\)](#)

Agency Certification

UL E79133

General

Product Family Quick Disconnects
 Series [19705](#)
 Comments Tab Support
 Crimp Quality Equipment Yes
 Product Name PCB Tab
 Type Quick Disconnect

Physical

Barrel Type Closed
 Gender Male
 Glow-Wire Compliant No
 Insulation None
 Lock to Mating Part None
 Material - Metal Brass
 Material - Plating Mating Tin
 Material - Plating Termination Tin
 Orientation PCB Straight Tab
 Packaging Type Reel
 Plating min: Mating (µin) 150
 Plating min: Mating (µm) 3.81
 Plating min: Termination (µin) 150
 Plating min: Termination (µm) 3.81
 Polarized to Mating Part No
 Tab Thickness 0.81mm (.032")
 Tab Width 4.75mm (.187")
 Wire Insulation Diameter N/A
 Wire Size AWG N/A

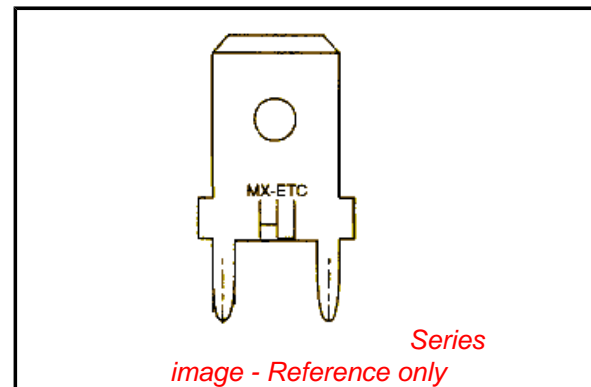
Electrical

Voltage - Maximum N/A

Material Info

Reference - Drawing Numbers

Product Specification PS-19708-001
 Sales Drawing SD-19705-400



EU RoHS

**ELV and RoHS
Compliant**
**REACH SVHC
Contains SVHC: No**
**Halogen-Free
Status
Not Reviewed**

China RoHS



**Need more information on product
environmental compliance?**

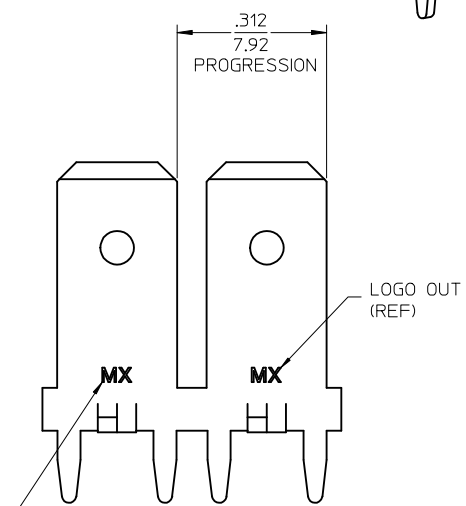
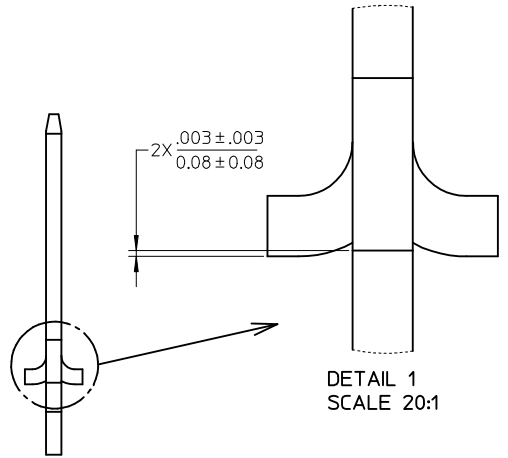
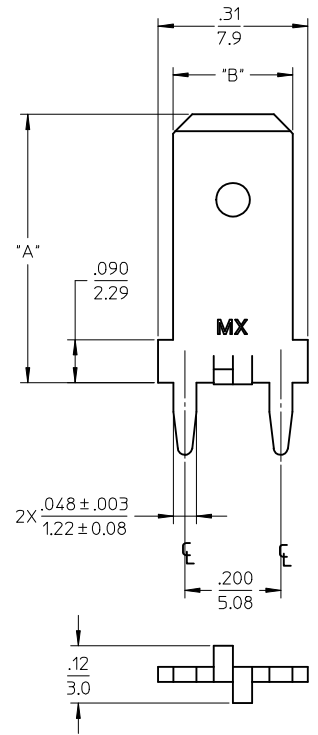
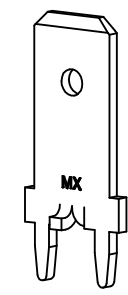
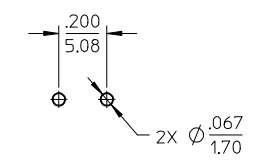
Email productcompliance@molex.com
 For a multiple part number RoHS Certificate of Compliance, [click here](#)

Please visit the [Contact Us](#) section for any non-product compliance questions.

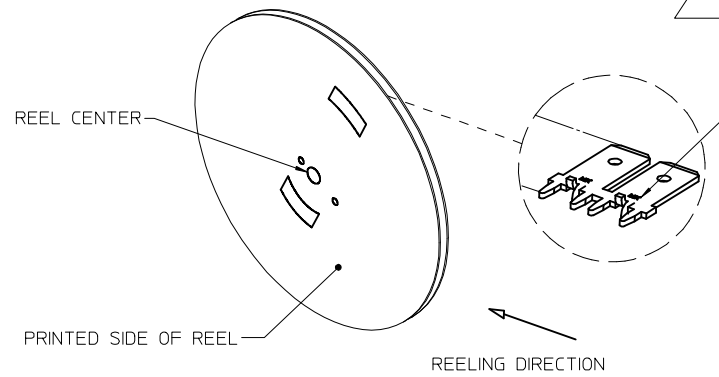
Search Parts in this Series
[19705Series](#)

MATERIAL NUMBER	ENGINEERING NUMBER	CARRIER	LOGO ORIENTATION	DIMENSION "A"	DIMENSION "B"	MIN. PARTS PER REEL
197054003	19705-4003	STRIP	IN	.560/14.22	.250/6.35	5,000
197054103	19705-4103	STRIP	IN	.560/14.22	.187/4.75	
197054105	19705-4105	STRIP	OUT	.560/14.22		
197054203	19705-4203	STRIP	IN	.405/10.29	.250/6.35	10,000
197054204	19705-4204	STRIP	OUT	.405/10.29		
197054001	19705-4001	LOOSE	-	.560/14.22	.250/6.35	-
197054101	19705-4101	LOOSE	-	.560/14.22	.187/4.75	-
197054201	19705-4201	LOOSE	-	.405/10.29	.250/6.35	-

RECOMMENDED PCB HOLE LAYOUT



LOGO OPTIONS: MX, ETC, MX-ETC, OR MXN
MAY ALSO BE UPSIDE-DOWN FOR DIE IDENTIFICATION PURPOSES



- NOTES:
1. BARE EDGES PERMISSIBLE AT CARRIER CUT OFF.
 2. MATERIAL: BRASS C26000 (.032/0.81) THICK.
 3. TAB CONFORMS TO NEMA SPECIFICATIONS.
 4. ALL DIMENSIONS AND NOTES REFERENCE UNLESS OTHERWISE NOTED.
 5. PLATING: MATTE TIN OVER NICKEL 150μ IN/3.81 μ mm MINIMUM THICKNESS OVER NICKEL 50μ IN/1.25μ mm MINIMUM THICKNESS.
 6. 24" DIAMETER REEL WITH A 1.25" DIAMETER CENTER HOLE.
 7. PART IS RoHS COMPLIANT

LOGO CLARIFIED IEC NO: WNA2009-0488 DRW: WTHRODAHL 2009/02/10 CHKD: JMACNEIL 2009/02/12 APPR: JMACNEIL 2009/02/12	QUALITY SYMBOLS	GENERAL TOLERANCES (UNLESS SPECIFIED)	DIMENSION STYLE	SCALE	DESIGN UNITS	THIRD ANGLE PROJECTION																											
	$\nabla=0$ $\nabla=0$	<table border="1"> <tr> <th></th> <th>mm</th> <th>INCH</th> </tr> <tr> <td>4 PLACES</td> <td>± ---</td> <td>± ---</td> </tr> <tr> <td>3 PLACES</td> <td>± ---</td> <td>± .005</td> </tr> <tr> <td>2 PLACES</td> <td>± 0.13</td> <td>± .01</td> </tr> <tr> <td>1 PLACE</td> <td>± 0.25</td> <td>± ---</td> </tr> </table>		mm	INCH	4 PLACES	± ---	± ---	3 PLACES	± ---	± .005	2 PLACES	± 0.13	± .01	1 PLACE	± 0.25	± ---	<table border="1"> <tr> <th>IN/MM</th> <th>DATE</th> </tr> <tr> <td>DRAWN BY</td> <td>11/08/96</td> </tr> <tr> <td>CHECKED BY</td> <td>DATE</td> </tr> <tr> <td>JH</td> <td>11/08/96</td> </tr> <tr> <td>APPROVED BY</td> <td>DATE</td> </tr> <tr> <td>RWD</td> <td>11/08/96</td> </tr> </table>	IN/MM	DATE	DRAWN BY	11/08/96	CHECKED BY	DATE	JH	11/08/96	APPROVED BY	DATE	RWD	11/08/96	5:1	INCH	
		mm	INCH																														
	4 PLACES	± ---	± ---																														
3 PLACES	± ---	± .005																															
2 PLACES	± 0.13	± .01																															
1 PLACE	± 0.25	± ---																															
IN/MM	DATE																																
DRAWN BY	11/08/96																																
CHECKED BY	DATE																																
JH	11/08/96																																
APPROVED BY	DATE																																
RWD	11/08/96																																
DRAFT WHERE APPLICABLE MUST REMAIN WITHIN DIMENSIONS	MATERIAL NO. SEE CHART	DOCUMENT NO. SD-19705-400	TITLE QUICK DISCONNECT PCB MOUNTABLE .250 & .187 X .032 TAB	SHEET NO. 1 OF 1																													

THIS DRAWING CONTAINS INFORMATION THAT IS PROPRIETARY TO MOLEX INCORPORATED AND SHOULD NOT BE USED WITHOUT WRITTEN PERMISSION