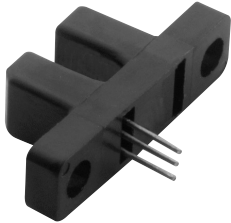


V N S E R I E S

VANE SWITCHES

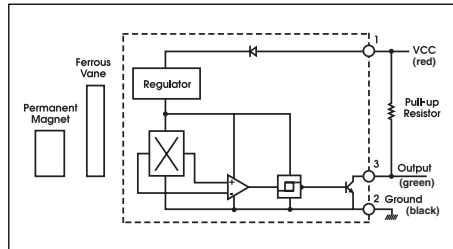
VN1015 Digital Vane Switch



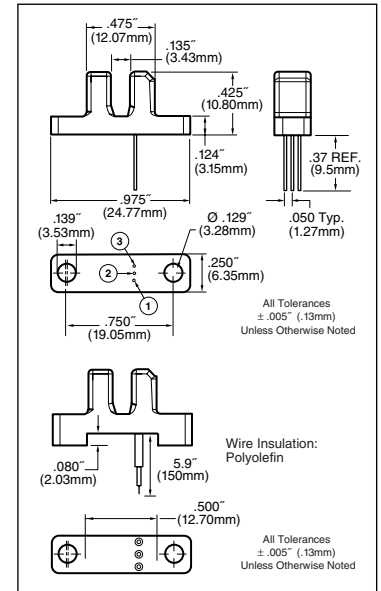
Magnetically-activated digital vane switch in a rugged, overmolded plastic housing with three pins or 3-wire harness.

- Available in Two Operating Temperature Ranges
- Immune From Moisture and Dust
- Reliable and Repeatable
- No Mechanical Contacts to Wear Out
- Operate From 5 to 24VDC
- Reverse Battery Protection to -24VDC
- Open Collector Output Compatible With All Logic Families
- Sensor Body Material: Glass-Filled Polyester
- Recommended Vane Parameters
 - Material: Low-carbon, Cold-rolled Steel
 - Minimum Dimensions: 0.40" Thick, 0.250" Wide
 - Vane should penetrate to a depth less than 0.120" from bottom of sensor slot.

Open Collector Sinking Block Diagram



Dimensions

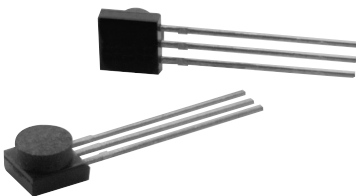


Part #	Operating Voltage Range (VDC)	Supply Current, mA max	Output	Output Saturation Voltage, mV max	Output Current, mA max	Operate Temp. Range, °C	Storage Temp. Range, °C	Termination
VN101501	4.5 to 24	6	3-pin sink	400	25	-40 to 85	-40 to 85	pins
VN101502	5 to 24	6	3-pin sink	400	25	-40 to 125	-40 to 125	pins
VN101503	4.5 to 24	6	3-wire sink	400	25	-40 to 85	-40 to 85	24 AWG x 150mm leads
VN101504	5 to 24	6	3-wire sink	400	25	-40 to 125	-40 to 125	24 AWG x 150mm leads

H E 3 1 3 5

LATCH ASSEMBLY

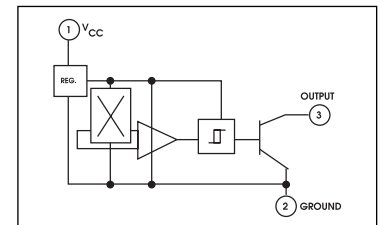
HE3135 Hall Effect Latch Assembly



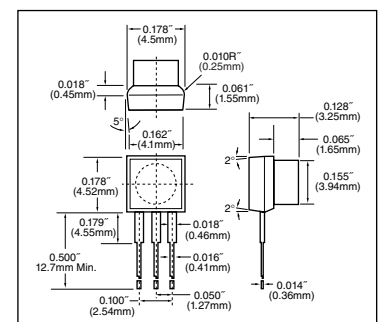
Magnetically-biased bipolar digital latch for use with multipole ring magnets.

- Offers Extreme Sensitivity
- Reliable — No Moving Parts to Wear Out
- Compact Size
- Output Compatible with All Digital Logic Families
- Symmetrical Output
- Latches in Presence of a South Pole and Unlatches in Presence of a North Pole

Sinking Block Diagram



Dimensions



Part #	Operating Voltage Range (VDC)	Supply Current, mA max	Output	Output Saturation Voltage, mV max	Output Current, mA max	Operate Temp. Range, °C	Storage Temp. Range, °C	Termination
HE313500	4.5 to 24	9	sink	400	25	-20 to 85	-40 to 105	Straight Terminals
HE313501	4.5 to 24	9	sink	400	25	-20 to 85	-40 to 105	Right-Angle Terminals