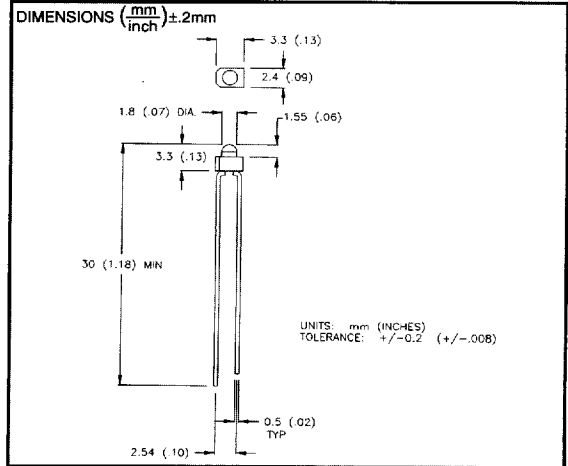


**SSL-LX20333XX SERIES T-1.8mm STOVE PIPE LENS LED LAMP**

- |   |  |  |
|---|--|--|
| <b>FEATURES</b><br><ul style="list-style-type: none"> <li>• Four Color Options</li> <li>• Bi-Color Version</li> <li>• Long Life/Low Power</li> <li>• Stove Pipe Lens</li> </ul> | <b>APPLICATIONS</b><br><ul style="list-style-type: none"> <li>• Panel Indicators</li> <li>• Status Illumination</li> <li>• Switches/Keyboards</li> <li>• PCB Indicators</li> </ul> | <b>OPTIONS AVAILABLE</b><br><ul style="list-style-type: none"> <li>• Add-on Spacers</li> <li>• Add-on Leads</li> </ul> |
|---|--|--|

LUMEX PART NBR	EMITTED COLOR		EPOXY LENS COLOR	BRIGHTNESS		VIEW ANGLE	Vf@20mA	
	RED	PEAK(nm)		TYP.(mcd.)	If(mA)		TYP.	MAX
SSL-LX20333ID	RED	635	RED DIFF.	6	20	80	2.0	2.8
SSL-LX20333SRD	RED	660	RED DIFF.	28	20	80	1.7	2.2
SSL-LX20333GD	GREEN	565	GREEN DIFF.	6	20	80	2.1	2.8
SSL-LX20333YD	YELLOW	585	YELLOW DIFF.	6	20	80	2.1	2.8
<b>BI-COLOR OPTIONS</b>								
SSL-LX20333HW	RED/GREEN	695/565	WHITE DIFF.	3/3	20/20	80	2.0	2.8

See pages 8 -14 for Max. operating limits and operating curves

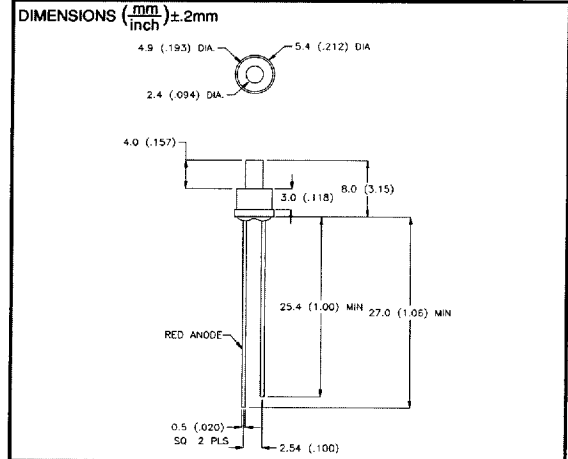


**SSL-LX20583XX SERIES T-2mm STOVE PIPE LENS LED LAMP**

- |   |   |  |
|---|---|--|
| <b>FEATURES</b><br><ul style="list-style-type: none"> <li>• Four Color Options</li> <li>• Bi-Color Version</li> <li>• Long Life/Low Power</li> <li>• Stove Pipe Lens</li> </ul> | <b>APPLICATIONS</b><br><ul style="list-style-type: none"> <li>• Panel Indicators</li> <li>• Status Illumination</li> <li>• Point Light Sources</li> </ul> | <b>OPTIONS AVAILABLE</b><br><ul style="list-style-type: none"> <li>• Add-on Spacers</li> <li>• Add-on Leads</li> </ul> |
|---|---|--|

LUMEX PART NBR	EMITTED COLOR		EPOXY LENS COLOR	BRIGHTNESS		VIEW ANGLE	Vf@20mA	
	RED	PEAK(nm)		TYP.(mcd.)	If(mA)		TYP.	MAX
SSL-LX20583ID-FT	RED	635	RED DIFF.	7	20	80	2.0	2.8
SSL-LX20583SRD-FT	RED	660	RED DIFF.	30	20	80	1.7	2.2
SSL-LX20583GD-FT	GREEN	565	GREEN DIFF.	7	20	80	2.1	2.8
SSL-LX20583YD-FT	YELLOW	585	YELLOW DIFF.	7	20	80	2.1	2.8
<b>BI-COLOR OPTIONS</b>								
SSL-LX20583HW-FT	RED/GREEN	695/565	WHITE DIFF.	3/3	20/20	80	2.0	2.8

See pages 8 -14 for Max. operating limits and operating curves



**SSL-LX3054XX SERIES T-3mm, 25mm LEAD LED LAMPS**

- |   |   |   |
|---|---|---|
| <b>FEATURES</b><br><ul style="list-style-type: none"> <li>• Color Choices</li> <li>• Lens Choices</li> <li>• Bi-Color Options</li> <li>• Low Current Options</li> </ul> | <b>APPLICATIONS</b><br><ul style="list-style-type: none"> <li>• Indicators</li> <li>• Switches/Keyboards</li> <li>• Backlighting Sources</li> </ul> | <b>OPTIONS AVAILABLE</b><br><ul style="list-style-type: none"> <li>• Add-on Leads</li> <li>• Add-on Spacers</li> <li>• Panel Mount Clips</li> <li>• Reflectors</li> </ul> |
|---|---|---|

LUMEX PART NBR	EMITTED COLOR		EPOXY LENS COLOR	BRIGHTNESS		VIEW ANGLE	Vf@20mA	
	RED	PEAK(nm)		TYP.(mcd.)	If(mA)		TYP.	MAX
SSL-LX3054ID	RED	635	RED DIFF.	10.0	20	80	2.0	2.8
SSL-LX3054IT	RED	635	RED TRANSP.	30.0	20	20	2.0	2.8
SSL-LX305 GD	GREEN	565	GREEN DIFF.	8.0	20	80	2.1	2.8
SSL-LX305AGT	GREEN	565	GREEN TRANSP.	25.0	20	20	2.1	2.8
SSL-LX3054YD	YELLOW	585	YELLOW DIFF.	8.0	20	80	2.1	2.8
SSL-LX3054YT	YELLOW	585	YELLOW TRANSP.	20.0	20	20	2.1	2.8
<b>LOW CURRENT (2mA)</b>								
SSL-LX3054LID	RED	635	RED DIFF.	1.0	2	80	2.0	2.8
SSL-LX3054LGD	GREEN	565	GREEN DIFF.	1.0	2	80	2.1	2.8
SSL-LX3054LYD	YELLOW	585	YELLOW DIFF.	1.0	2	80	2.1	2.8
<b>BI-COLOR DEVICES</b>								
SSL-LX3054IGW	RED/GREEN	635/565	WHITE DIFF.	5/4	20	80	2.0	2.8

See pages 8 -14 for Max. operating limits and operational curves

