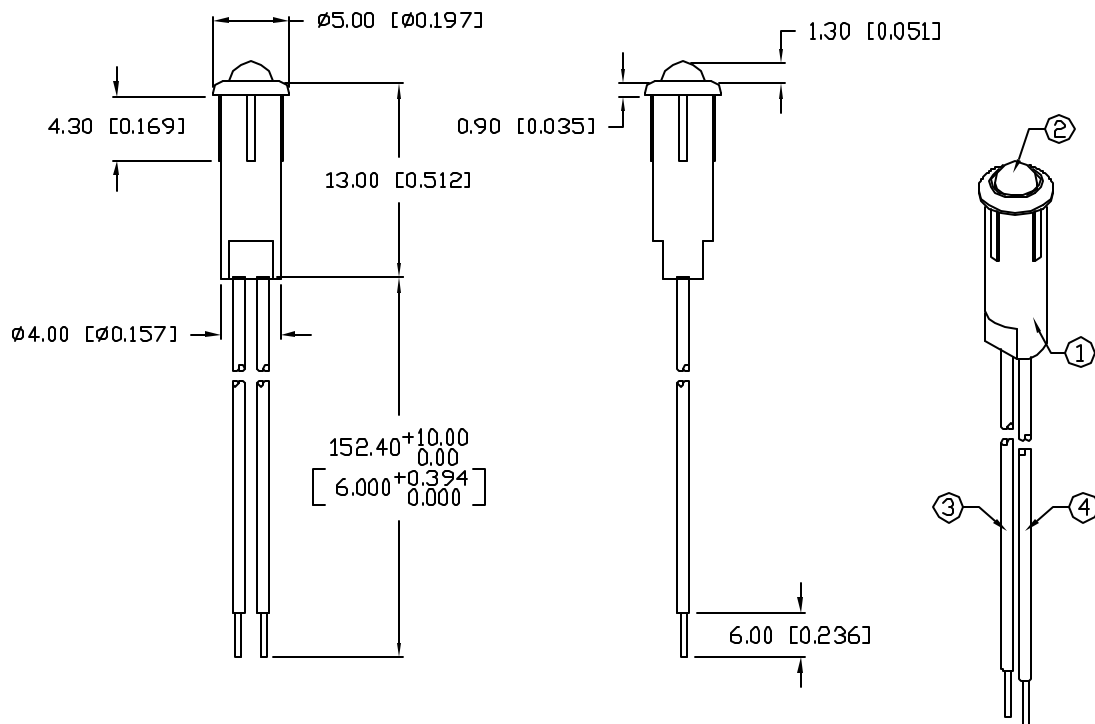


UNCONTROLLED DOCUMENT

PART NUMBER		REV.
SSI-LXH312BID-150		D
REV.	E.C.N. NUMBER AND REVISION COMMENTS	DATE
A	CHG'D P/N TO SSI-LXH312BID-150	10.5.92
B	ADDED TO NOTE #3.	5.12.95
C	E.C.N. #10178.	6.5.96
D	E.C.N. #10BRDR. & REDRAWN.	7.9.01



NOTES:

- SSH-LXH3121 HOLDER, BLACK NYLON 94-V.
- SSL-LX3044BID LED, LEADS CUT TO 5mm.
- ANODE LEAD: LXP-WST26RDT0C, RED INSULATED LEAD, 26 AWG, CUT 158mm LONG, STRIP 3.0mm & 6.0mm.
- CATHODE LEAD: LXP-WST26BLT0C, BLACK INSULATED LEAD, 26 AWG, CUT 158mm LONG, STRIP 3.0mm & 6.0mm.
- MOUNTING HOLE: $\phi 0.170'' - \phi 0.174''$

ELECTRO-OPTICAL CHARACTERISTICS $T_A=25^\circ\text{C}$

PARAMETER	MIN	TYP	MAX	UNITS	TEST COND
PEAK WAVELENGTH		635		nm	
FORWARD VOLTAGE	3.0		14.0	V_f	
BLINKING FREQUENCY:		1.5		Hz	$V_f=14.0, I_f=70\text{mA}$
		2.5		Hz	$V_f=3.0, I_f=6\text{mA}$
AXIAL INTENSITY		10		mcd	$V_f=9.0$
VIEWING ANGLE		80		2x theta	
EMITTED COLOR:	RED				
EPOXY LENS FINISH:	RED DIFFUSED				

LIMITS OF SAFE OPERATION AT 25°C PER CHIP

PARAMETER	MAX	UNITS
FORWARD VOLTAGE	14	V
PEAK FORWARD CURRENT	70	mA
POWER DISSIPATION	200	mW
DERATE FROM 25°C	-1.2	mW/°C
OPERATING, STORAGE TEMP.	-40 TO +85	°C
SOLDERING TEMP.	+260	°C
2.0mm FROM BODY		3 SEC. MAX

*UNLESS OTHERWISE SPECIFIED TOLERANCES PER DECIMAL PRECISION ARE: X=±1 (±0.039), XX=±0.5 (±0.020), XXX=±0.25 (±0.010), XXXX=±0.127 (±0.005). LEAD SIZE=±0.05 (±0.002), LEAD LENGTH=±0.75 (±0.030), MIN.=^{+0.00}/_{-0.00} DECIMAL PRECISION, MAX.=^{+0.00}/_{-0.00} DECIMAL PRECISION

UNCONTROLLED DOCUMENT

REV. D	PART NUMBER SSI-LXH312BID-150	<p>CONFIDENTIAL INFORMATION</p> <p>THE INFORMATION CONTAINED IN THIS DOCUMENT IS THE PROPERTY OF LUMEX INC. EXCEPT AS SPECIFICALLY AUTHORIZED IN WRITING BY LUMEX INC, THE HOLDER OF THIS DOCUMENT SHALL KEEP ALL INFORMATION CONTAINED HEREIN CONFIDENTIAL AND SHALL PROTECT SAME IN WHOLE OR IN PART FROM DISCLOSURE AND DISSEMINATION TO ALL THIRD PARTIES.</p> <p>RELIABILITY NOTE</p> <p>OUR MANY YEARS OF EXPERIENCE DATA ACCUMULATION INDICATE THAT SOLDER HEAT IS A MAJOR CAUSE OF EARLY AND FUTURE FAILURE. PLEASE PAY ATTENTION TO YOUR SOLDERING PROCESS.</p>	<p>290 E. HELEN ROAD PALATINE, IL 60067-6976 PHONE: +1.847.359.2790 US WEB: www.lumex.com TW WEB: www.lumex.com.tw</p>
T-3mm LED BLACK PANEL INDICATOR WITH 6" WIRE LEADS, 635nm RED BLINKING LED, RED DIFFUSED LENS.		DRAWN BY: gt CHECKED BY: APPROVED BY:	DATE: 5.15.92 PAGE: 1 OF 1 SCALE: N/A