



Metallized Polyester Film Capacitors MKT Radial Epoxy Lacquered Type

APPLICATIONS

Blocking and coupling. Bypass and energy reservoir

MARKING

C-value; tolerance; rated voltage

DIELECTRIC

Polyester film

ELECTRODES

Vacuum deposited aluminium

COATING

Flame retardant epoxy material (UL-class 94 V-0)

CONSTRUCTION

Wound mono construction

LEADS

Tinned wire

CAPACITANCE RANGE (E12 SERIES)

0.001 to 1.0 μ F

CAPACITANCE TOLERANCE

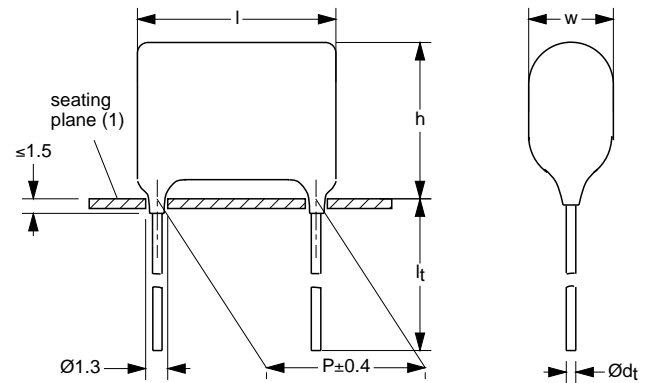
$\pm 10\%$; $\pm 5\%$

RATED (DC) VOLTAGE

63 V; 100 V; 250 V; 400 V; 630 V

RATED (AC) VOLTAGE

40 V; 63 V; 160 V; 220 V; 250 V



Dimensions in mm.

(1) Hole $\varnothing 1.0$ for $d_t = 0.6$ mm.

CLIMATIC CATEGORY

55/105/56

RATED TEMPERATURE

85 °C

MAXIMUM APPLICATION TEMPERATURE

105 °C

REFERENCE SPECIFICATIONS

IEC 60384-2

PERFORMANCE GRADE

Grade 1 (long life)

FEATURES

Available taped on reel and loose in box

DETAIL SPECIFICATION

For more detailed data and test requirements see "Type detail specification HQN-384-02/101"

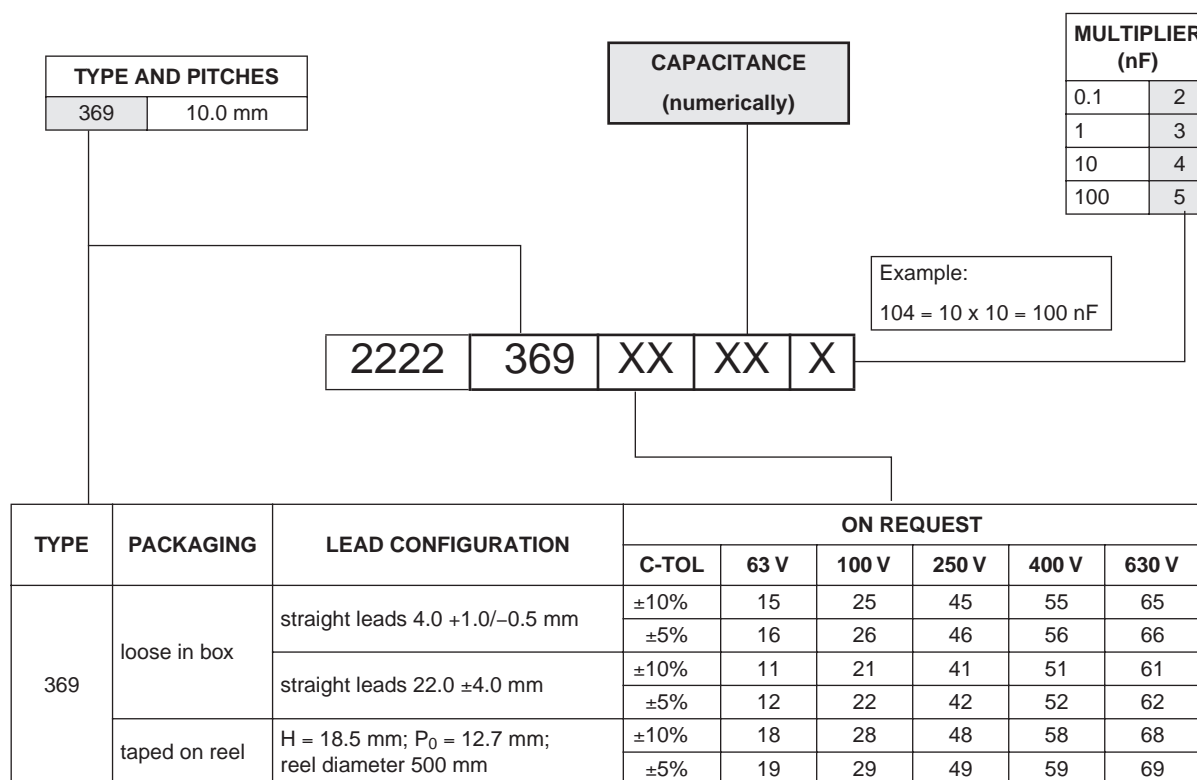
MKT 369

Vishay BCcomponents

Metallized Polyester Film Capacitors
MKT Radial Epoxy Lacquered Type



COMPOSITION OF CATALOG NUMBER



SPECIFIC REFERENCE DATA

DESCRIPTION	VALUE				
	at 1 kHz	at 10 kHz	at 100 kHz		
Tangent of loss angle:					
C ≤ 0.47 μF	≤75 × 10 ⁻⁴	≤130 × 10 ⁻⁴	≤300 × 10 ⁻⁴		
0.47 μF < C ≤ 1.0 μF	≤75 × 10 ⁻⁴	≤130 × 10 ⁻⁴	≤225 × 10 ⁻⁴		
C ≥ 0.1 μF	≤75 × 10 ⁻⁴	≤130 × 10 ⁻⁴	≤300 × 10 ⁻⁴		
Rated voltage pulse slope (dU/dt) _R	at 63 V (DC)	at 100 V (DC)	at 250 V (DC)	at 400 V (DC)	at 630 V (DC)
	30 V/μs	28 V/μs	70 V/μs	110 V/μs	70 V/μs
R between leads, for C ≤ 0.33 μF:					
at 10 V; 1 minute	>15000 MΩ				
at 100 V; 1 minute		>15000 MΩ	>30000 MΩ	>30000 MΩ	
at 500 V; 1 minute					>30000 MΩ
RC between leads, for C > 0.33 μF:					
at 10 V; 1 minute	>5000 s				
at 500 V; 1 minute					>10000 s
R between interconnecting leads and casing;					
at 10 V; 1 minute	>30000 MΩ				
at 100 V; 1 minute		>30000 MΩ	>30000 MΩ	>30000 MΩ	
at 500 V; 1 minute					>30000 MΩ
Withstanding (DC) voltage (cut off current 10 mA); rise time 100 V/s	100 V; 1 minute	160 V; 1 minute	400 V; 1 minute	640 V; 1 minute	1008 V; 1 minute
Withstanding (DC) voltage between leads and case	200 V; 1 minute	200 V; 1 minute	500 V; 1 minute	800 V; 1 minute	1260 V; 1 minute



U_{Rdc} = 63 V; U_{Rac} = 40 V

C (μ F)	DIMENSIONS $w_{max} \times h_{max} \times l_{max}$ (mm)	MASS (g)	CATALOG NUMBER 2222 369 AND PACKAGING			
			LOOSE IN BOX			REEL
			$l_t = 4.0 +1.0/-0.5$ mm		$l_t = 22.0 \pm 4.0$ mm	
			C-tol = $\pm 10\%$	SPQ	SPQ	SPQ
last 5 digits of catalog number						
Pitch = 10.0 \pm0.4 mm; $d_t = 0.60 \pm 0.06$ mm						
0.22	4.2 \times 9.3 \times 12.5	0.4	15224	2000	1000	1300
0.27	3.8 \times 9.0 \times 12.5	0.4	15274	2000	1000	1300
0.33	4.1 \times 9.3 \times 12.5	0.4	15334	2000	1000	1300
0.39	4.0 \times 9.2 \times 12.5	0.4	15394	2000	1000	1300
0.47	4.3 \times 9.5 \times 12.5	0.5	15474	2000	1000	1200
0.56	4.7 \times 9.8 \times 12.5	0.5	15564	2000	1000	1200
0.68	5.1 \times 10.2 \times 12.5	0.5	15684	2000	1000	1100
0.82	5.5 \times 10.7 \times 12.5	0.6	15824	2000	1000	1000
1	6.0 \times 11.1 \times 12.5	0.7	15105	2000	1000	900

U_{Rdc} = 100 V; U_{Rac} = 63 V

C (μ F)	DIMENSIONS $w_{max} \times h_{max} \times l_{max}$ (mm)	MASS (g)	CATALOG NUMBER 2222 369 AND PACKAGING			
			LOOSE IN BOX			REEL
			$l_t = 4.0 +1.0/-0.5$ mm		$l_t = 22.0 \pm 4.0$ mm	
			C-tol = $\pm 10\%$	SPQ	SPQ	SPQ
last 5 digits of catalog number						
Pitch = 10.0 \pm0.4 mm; $d_t = 0.60 \pm 0.06$ mm						
0.056	4.0 \times 9.1 \times 12.5	0.4	25563	2000	1000	1500
0.068			25683			
0.082	3.7 \times 8.8 \times 12.5	0.4	25823	2000	1000	1500
0.1	4.0 \times 9.0 \times 12.5	0.4	25104	2000	1000	1500
0.12	4.3 \times 9.3 \times 12.5	0.4	25124	2000	1000	1500
0.15	3.9 \times 8.9 \times 12.5	0.4	25154	2000	1000	1500
0.18	4.2 \times 9.2 \times 12.5	0.5	25184	2000	1000	1300
0.22	4.5 \times 9.4 \times 12.5	0.5	25224	2000	1000	1200

U_{Rdc} = 250 V; U_{Rac} = 160 V

C (μ F)	DIMENSIONS $w_{max} \times h_{max} \times l_{max}$ (mm)	MASS (g)	CATALOG NUMBER 2222 369 AND PACKAGING			
			LOOSE IN BOX			REEL
			$l_t = 4.0 +1.0/-0.5$ mm		$l_t = 22.0 \pm 4.0$ mm	
			C-tol = $\pm 10\%$	SPQ	SPQ	SPQ
last 5 digits of catalog number						
Pitch = 10.0 \pm0.4 mm; $d_t = 0.60 \pm 0.06$ mm						
0.027	4.2 \times 8.7 \times 12.5	0.4	45273	2000	1000	1500
0.033	4.6 \times 8.8 \times 12.5	0.5	45333	2000	1000	1300
0.039	4.0 \times 8.8 \times 12.5	0.4	45393	2000	1000	1500
0.047	4.5 \times 9.0 \times 12.5	0.5	45473	2000	1000	1500
0.056	4.6 \times 8.8 \times 12.5	0.5	45563	2000	1000	1300
0.068	4.6 \times 9.2 \times 12.5	0.5	45683	2000	1000	1300
0.082	4.4 \times 9.4 \times 12.5	0.5	45823	2000	1000	1200
0.1	4.7 \times 9.7 \times 12.5	0.5	45104	2000	1000	1200

MKT 369

Vishay BCcomponents

Metallized Polyester Film Capacitors
MKT Radial Epoxy Lacquered Type



$U_{Rdc} = 400\text{ V}$; $U_{Rac} = 220\text{ V}$

C (μF)	DIMENSIONS $w_{max} \times h_{max} \times l_{max}$ (mm)	MASS (g)	CATALOG NUMBER 2222 369 AND PACKAGING			
			LOOSE IN BOX			REEL
			$l_t = 4.0 +1.0/-0.5\text{ mm}$		$l_t = 22.0 \pm 4.0\text{ mm}$	
			C-tol = $\pm 10\%$	SPQ	SPQ	SPQ
last 5 digits of catalog number						
Pitch = $10.0 \pm 0.4\text{ mm}$; $d_t = 0.60 \pm 0.06\text{ mm}$						
0.001	$4.5 \times 8.7 \times 12.5$	0.5	55102	2000	1000	1500
0.0012	$4.5 \times 9.0 \times 12.5$	0.5	55122	2000	1000	1500
0.0015	$4.5 \times 8.8 \times 12.5$	0.5	55152	2000	1000	1500
0.0018	$4.5 \times 8.7 \times 12.5$	0.5	55182	2000	1000	1500
0.0022	$4.0 \times 8.6 \times 12.5$	0.5	55222	2000	1000	1500
0.0027	$4.3 \times 8.9 \times 12.5$	0.5	55272	2000	1000	1500
0.0033	$4.6 \times 9.1 \times 12.5$	0.5	55332	2000	1000	1500
0.0039	$4.0 \times 8.7 \times 12.5$	0.5	55392	2000	1000	1500
0.0047	$4.1 \times 8.8 \times 12.5$	0.5	55472	2000	1000	1500
0.0056	$4.6 \times 9.1 \times 12.5$	0.5	55562	2000	1000	1500
0.0068			55682			
0.0082			55822			
0.01			55103			
0.012	$4.0 \times 8.7 \times 12.5$	0.5	55123	2000	1000	1500
0.015	$4.1 \times 8.8 \times 12.5$	0.5	55153	2000	1000	1500
0.018	$4.4 \times 8.8 \times 12.5$	0.5	55183	2000	1000	1300
0.022	$4.2 \times 8.8 \times 12.5$	0.5	55223	2000	1000	1500
0.027	$4.2 \times 9.1 \times 12.5$	0.5	55273	2000	1000	1300
0.033	$4.6 \times 9.4 \times 12.5$	0.5	55333	2000	1000	1300

$U_{Rdc} = 630\text{ V}$; $U_{Rac} = 250\text{ V}$

C (μF)	DIMENSIONS $w_{max} \times h_{max} \times l_{max}$ (mm)	MASS (g)	CATALOG NUMBER 2222 369 AND PACKAGING			
			LOOSE IN BOX			REEL
			$l_t = 4.0 +1.0/-0.5\text{ mm}$		$l_t = 22.0 \pm 4.0\text{ mm}$	
			C-tol = $\pm 10\%$	SPQ	SPQ	SPQ
last 5 digits of catalog number						
Pitch = $10.0 \pm 0.4\text{ mm}$; $d_t = 0.60 \pm 0.06\text{ mm}$						
0.01	$4.1 \times 8.7 \times 12.5$	0.4	65103	2000	1000	1300
0.012	$4.4 \times 8.9 \times 12.5$	0.5	65123	2000	1000	1200
0.015	$4.9 \times 9.2 \times 12.5$	0.5	65153	2000	1000	1100
0.018	$5.3 \times 9.5 \times 12.5$	0.6	65183	2000	1000	1000
0.022	$5.9 \times 9.9 \times 12.5$	0.7	65223	2000	1000	900