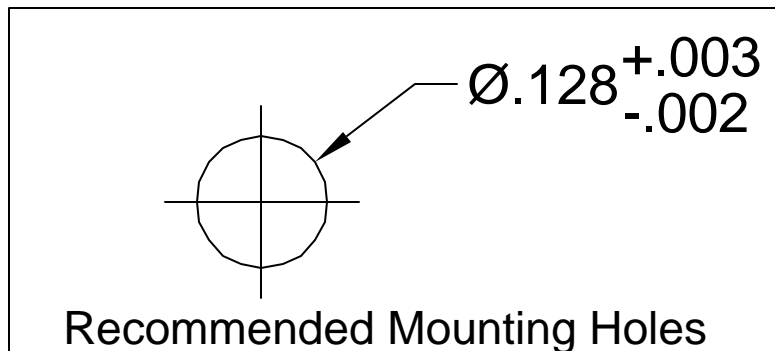
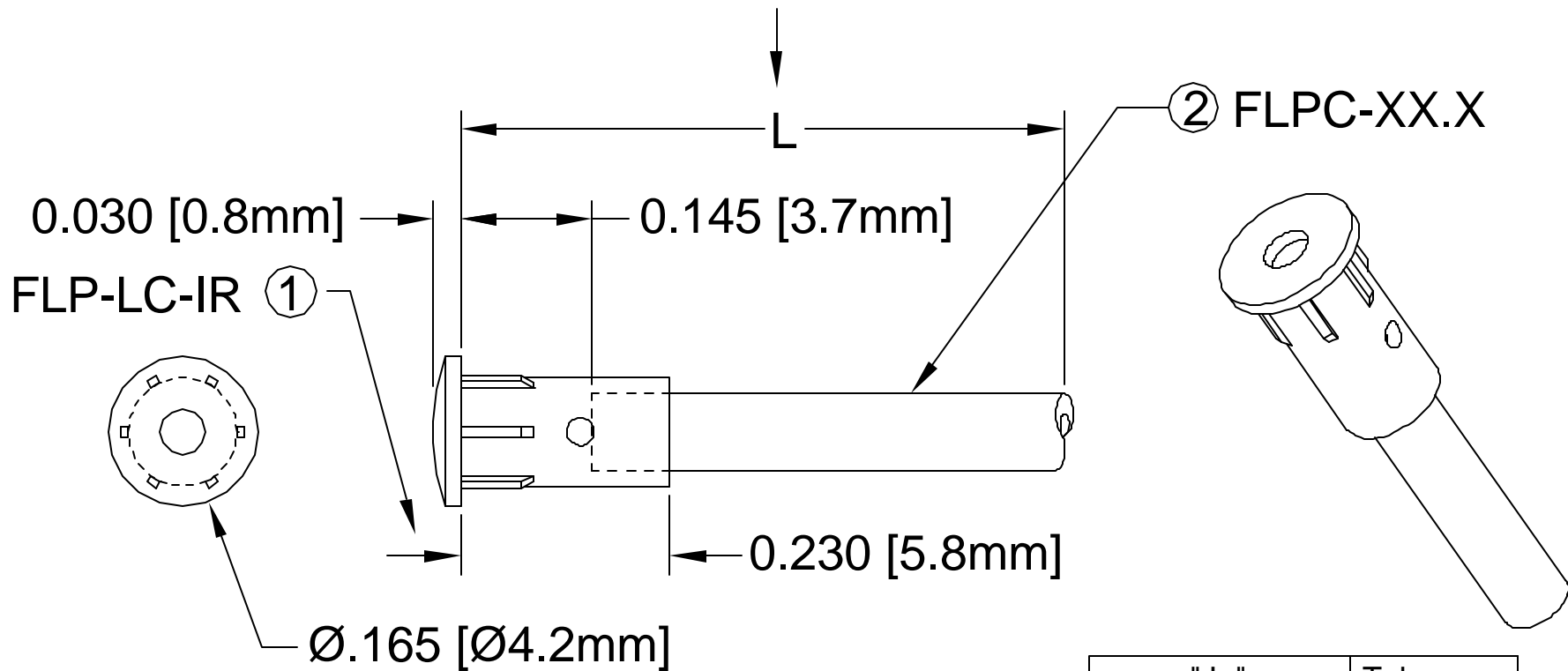


ITEM	Q'TY	PART NUMBER	PART DESCRIPTION
1	1	FLP-LC-IR	HOLDER CAP, FLEXIBLE LIGHT-PIPE, IR
2	1	FLPC-XX.X	LIGHT PIPE CABLE, CUT LENGTH IN INCHES

REV.	DESCRIPTION	DATE	APPROVED
B	Engineering Update w/o Changes	03/08/04	M. C.
C	Dimensioning Update w/o Changes	01/05/05	M. C.

LC-IR-XX.X



" L "	Tolerance
2.5" ~ 16.0"	±0.050"
16.1" ~ 40.0"	±0.15"
40.1" ~ 80.0"	±0.30"
80.1" ~ 3,940.0"	±0.5%

STANDARD TOLERANCE (UNLESS OTHERWISE SPECIFIED)	
DECIMALS	ANGULAR
.X ±.1	X° ± 1°
.XX ±.02	
.XXX ±.010	

BIVAR[®]

4 THOMAS, IRVINE, CA. 92618
TEL: (949) 951-8808 FAX: (949) 951-3974

TITLE: LENS CAP / FLP ASSEMBLY,
INFRARED ROUND

DESIGNED:
David Green

DATE:
03/24/03

PART NO: LC-IR-XX.X

REVISION:
C

CHECKED:
M. Chen

DATE:
03/24/03

CAGE CODE: 32559 **SHEET #** 1 OF 1

CAD GENERATED DOCUMENT. DO NOT MEASURE DRAWING.