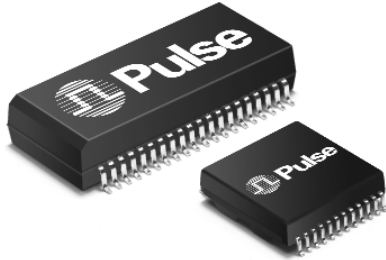





10/100BASE-TX DUAL PORT TRANSFORMER MODULES

For Use with Transceivers Requiring 1:1 Transmit and Receive Turns Ratios



-  Compliant with IEEE 802.3u and ANSI X3.263 standards including 350 μ H OCL with 8 mA bias
-  Modules designed to support two RJ-45 connectors
-  Some models offer AutoMDIX capability

Electrical Specifications @ 25°C — Operating Temperature 0°C to 70°C

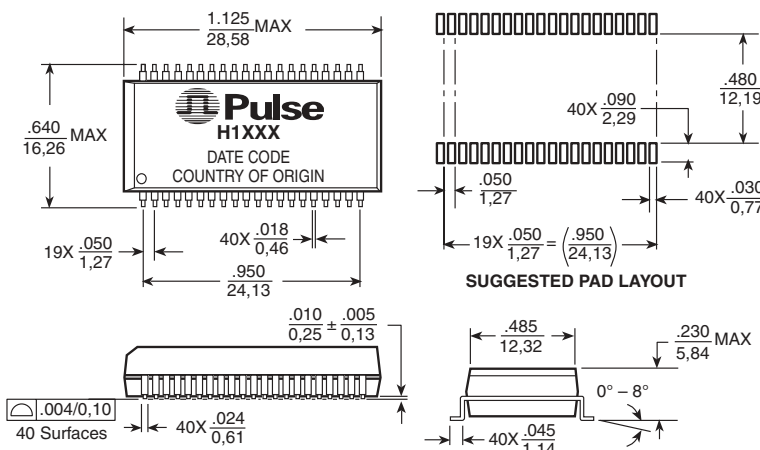
Part Number ¹	Insertion Loss (dB TYP)	Return Loss (dB MIN)				Crosstalk (dB TYP)				Differential to Common Mode Rejection (dB TYP)	
		0.1-100 MHz	2-30 MHz	40 MHz	50 MHz	60-80 MHz	1 MHz	30 MHz	60 MHz	100 MHz	1-60 MHz
H1026	-0.5	-21	-17	-14.5	-12	-65	-55	-45	-35	-40	-30
H1027	-0.5	-21	-17	-14.5	-12	-65	-55	-45	-35	-53	-40
H1028	-0.5	-21	-17	-14.5	-12	-65	-55	-45	-35	-45	-35
H1049	-0.5	-21	-17	-14.5	-12	-65	-55	-45	-35	-45	-35
H1114	-1.2	-16	-14	-13	-12	-50	-45	-40	-35	-37	-33
H1200 ²	-1.0	-16	-14.4	-13	-12	-50	-45	-40	-35	-37	-33
H1170	-1.2	-18	-16	-14	-12	-60	-45	-40	-35	-45	-35
H1174	-1.2	-18	-16	-14	-12	-60	-45	-40	-35	-45	-35
H1270 ²	-1.2	-18	-16	-14	-12	-60	-45	-40	-35	-45	-35

- All models meet input/output breakdown (Hipot) of 1500 Vrms.
- Suitable for AutoMDIX applications.

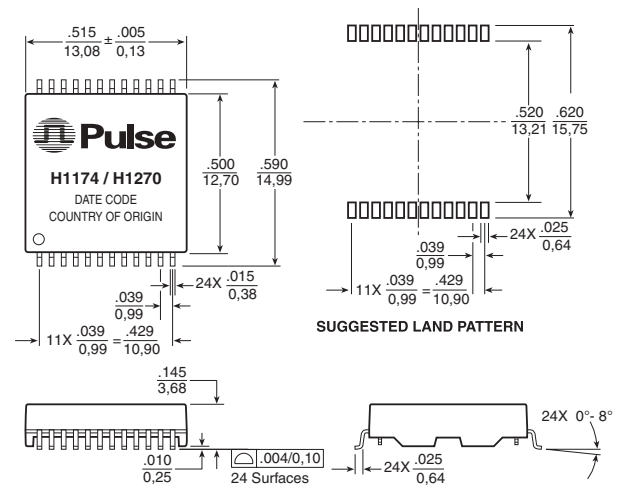
U.S. Patent No. 5,015,981

Mechanicals

H1XXX



H1174/H1270



Dimensions: Inches
mm

Unless otherwise specified, all tolerances are $\pm \frac{.010}{.025}$

10/100BASE-TX DUAL PORT TRANSFORMER MODULES

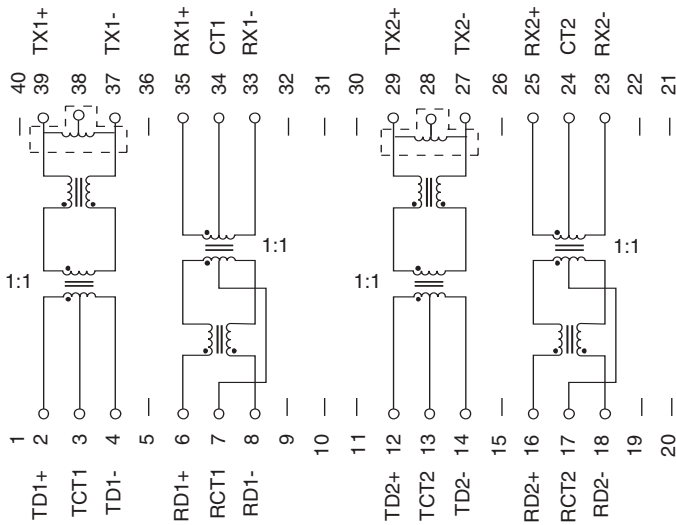
For Use with Transceivers Requiring
1:1 Transmit and Receive Turns Ratios



Pulse
A TECHNITROL COMPANY

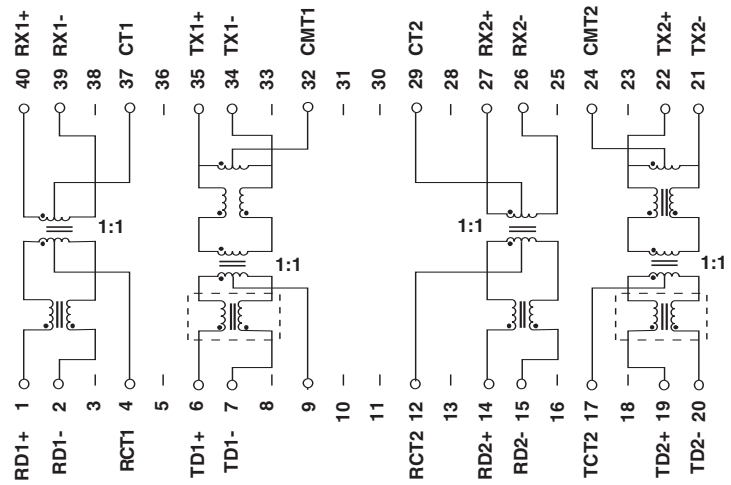
Schematics

H1026, H1114



NOTE: H1114 includes the shunt choke.

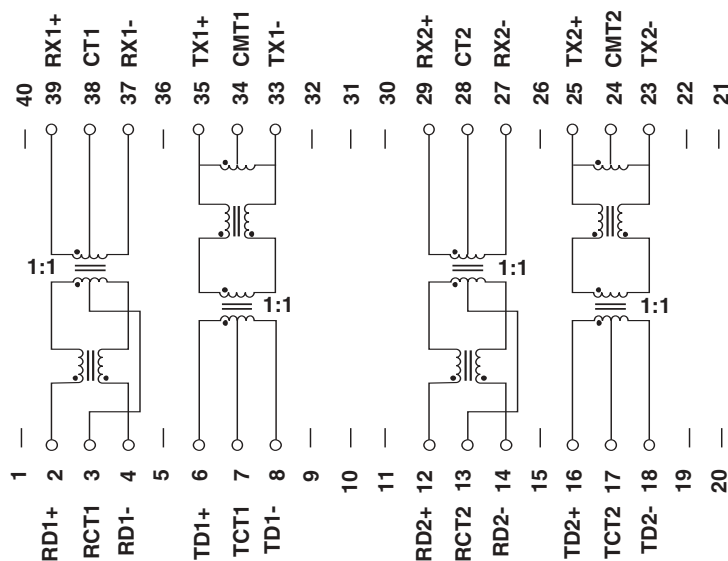
H1027, H1028



NOTE: H1027 has input common mode choke on pins 6-7 and pins 19-20. H1028 does not have the additional choke.

Dual Port Solutions: The H1027, H1028, H1049, and H1026 are designed to support two RJ-45 connectors. The H1027 and the H1028 have the same pinout. The H1027 has an additional common mode choke on both transmit channels. The H1049 and the H1026 offer different pinouts for design flexibility.

H1049



10/100BASE-TX DUAL PORT TRANSFORMER MODULES

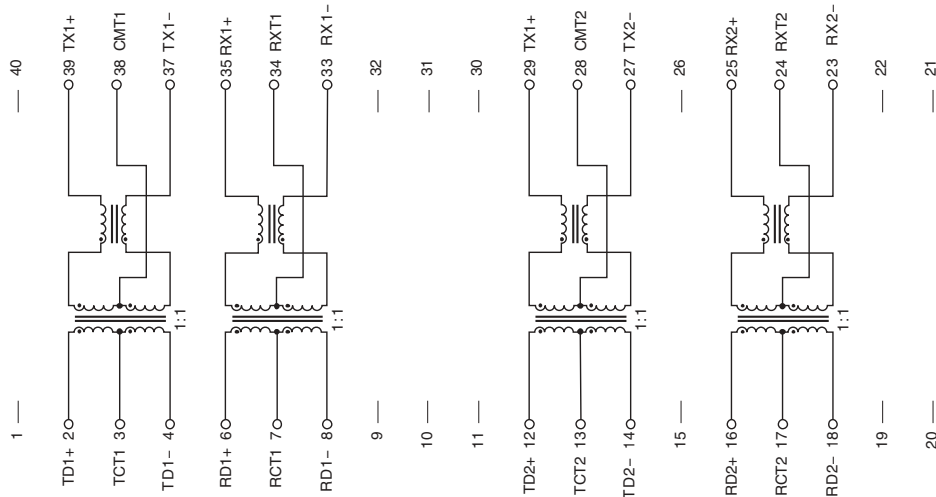
For Use with Transceivers Requiring
1:1 Transmit and Receive Turns Ratios



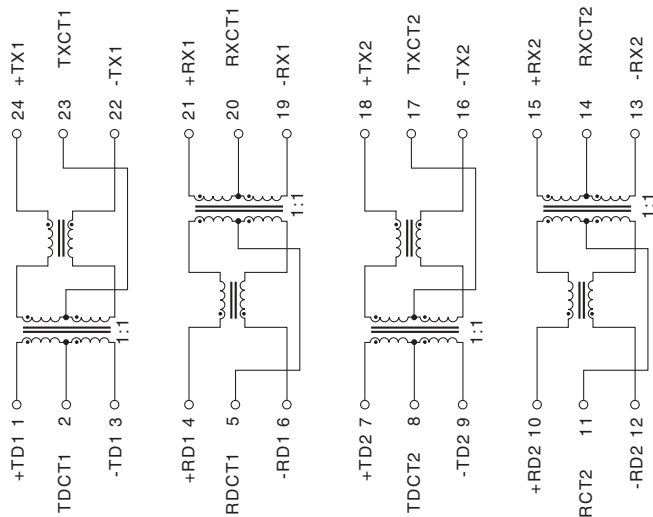
Pulse
A TECHNITROL COMPANY

Schematics

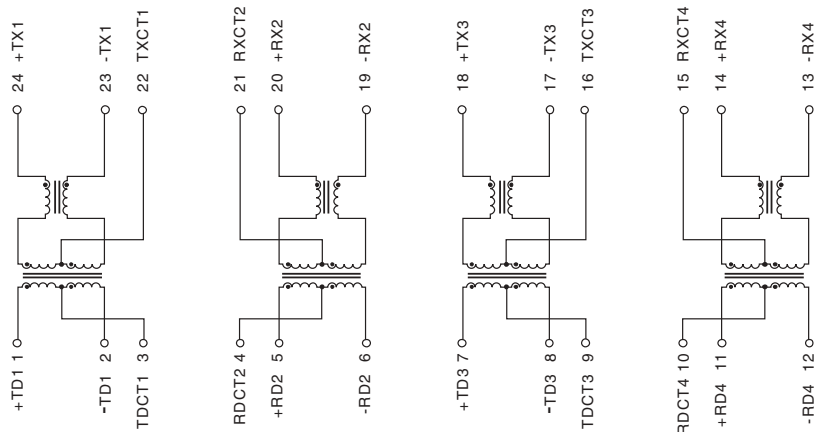
H1200



H1174



H1270



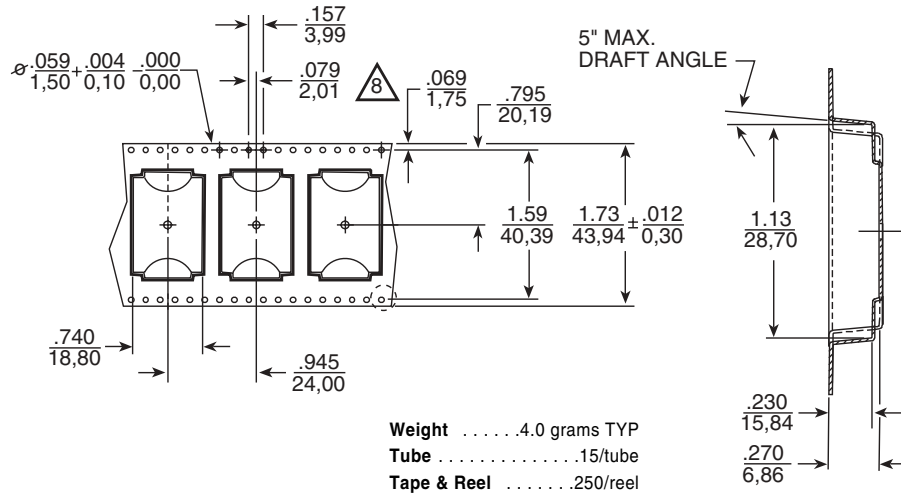
10/100BASE-TX DUAL PORT TRANSFORMER MODULES

For Use with Transceivers Requiring 1:1 Transmit and Receive Turns Ratios

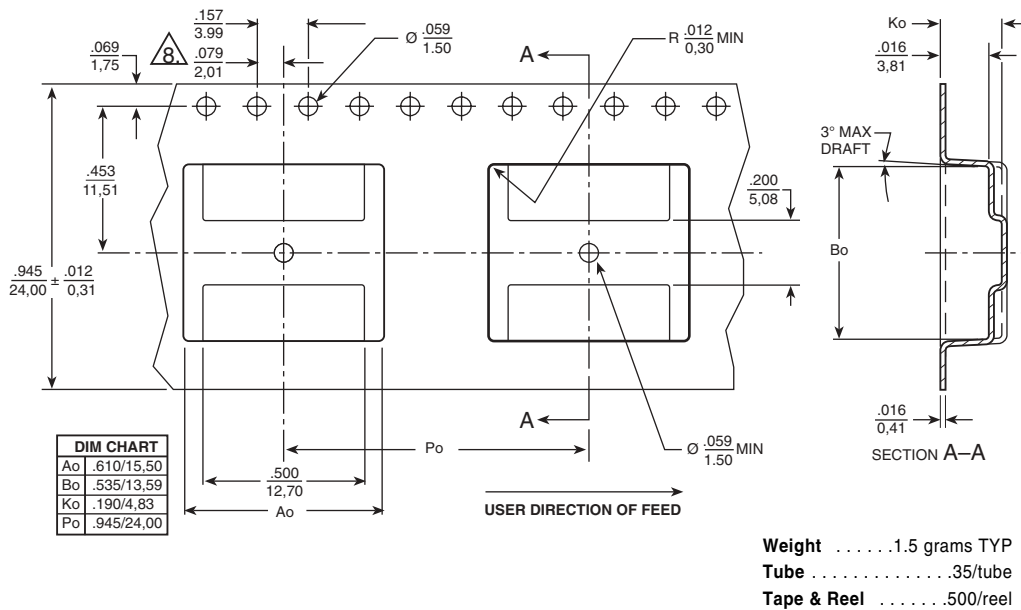


Tape & Reel Specifications

H1XXX



H1174/H1270



For More Information :

UNITED STATES (Worldwide)	UNITED KINGDOM (Northern Europe)	FRANCE (Southern Europe)	SINGAPORE (Southern Asia)	TAIWAN, R.O.C. (Northern Asia)	HONG KONG (Great China)	DISTRIBUTOR
12220 World Trade Drive San Diego, CA 92128 U.S.A. http://www.pulseeng.com TEL: 619 674 8100 FAX: 619 674 8262	1 & 2 Huxley Road The Surrey Research Park Guildford, Surrey GU2 5RE United Kingdom TEL: 44 1483 401700 FAX: 44 1483 401701	Zone Industrielle F-39270 Orgelet France TEL: 33 3 84 35 04 04 FAX: 33 3 84 25 46 41	150 Kampong Ampat #07-01/02 KA Centre Singapore 368324 TEL: 65 287 8998 FAX: 65 280 0080	3F-4, No. 81, Sec. 1 HsinTai Wu Road Hsi-Chih, Taipei Hsien Taiwan, R.O.C. Tel: 886 2 2698 0228 FAX: 886 2 2698 0948	19/F, China United Plaza 1008 Tai Nan West Street Cheung Sha Wan, Kowloon Hong Kong, China TEL: 852 2788 6588 FAX: 852 2776 1055	

Performance warranty of products offered on this data sheet is limited to the parameters specified. Data is subject to change without notice. Other brand and product names mentioned herein may be trademarks or registered trademarks of their respective owners.

Printed on recycled paper. © Copyright, 2002. All rights reserved. Pulse Engineering, Inc.