

PLEASE CHECK WWW.MOLEX.COM FOR LATEST PART INFORMATION

Part Number: [0855045001](#)
Status: **Active**
Overview: [modular_plugs_jacks](#)
Description: CAT5 JACK 8/8 RA LP TH IN.SHIELD

Documents:

3D Model	Product Specification PS-85504-001 (PDF)
Drawing (PDF)	RoHS Certificate of Compliance (PDF)
Application Specification (PDF)	

Agency Certification

UL	E107635
----	---------

General

Product Family	Modular Jacks/Plugs
Series	85504
Comments	Internal Shield
Component Type	PCB Jack
Magnetic	No
Overview	modular_plugs_jacks
Performance Category	5e
Power over Ethernet (PoE)	N/A
Product Name	RJ45

Physical

Color - Resin	Black
Durability (mating cycles max)	500
Flammability	94V-0
Inverted / Top Latch	No
Lightpipes/LEDs	None
Material - Metal	Brass, Phosphor Bronze
Material - Plating Mating	Gold
Material - Plating Termination	Tin
Material - Resin	High Temperature Thermoplastic
Orientation	Right Angle (Side Entry)
PCB Locator	Yes
PCB Retention	Yes
PCB Thickness Recommended (in)	0.062 In
PCB Thickness Recommended (mm)	1.57 mm
Packaging Type	Tray
Pitch - Mating Interface (in)	0.040 In
Pitch - Mating Interface (mm)	1.02 mm
Pitch - Term. Interface (in)	0.050 In
Pitch - Term. Interface (mm)	1.27 mm
Plating min: Mating (µin)	50.8
Plating min: Mating (µm)	1.27
Plating min: Termination (µin)	76
Plating min: Termination (µm)	1.9
Ports	1
Positions / Loaded Contacts	8/8
Surface Mount Compatible (SMC)	Yes
Temperature Range - Operating	-40°C to +80°C
Termination Interface: Style	Through Hole
Waterproof / Dustproof	No
Wire/Cable Type	N/A

EU RoHS

**ELV and RoHS
Compliant**

REACH SVHC

Not Reviewed

Halogen-Free

Status

Not Reviewed

China RoHS



**Need more information on product
environmental compliance?**

Email productcompliance@molex.com
 For a multiple part number RoHS Certificate of
 Compliance, [click here](#)

Please visit the [Contact Us](#) section for any
 non-product compliance questions.

Search Parts in this Series

[85504Series](#)

Electrical

Current - Maximum per Contact	1.5A
Shielded	Yes
Voltage - Maximum	125V AC

Solder Process Data

Duration at Max. Process Temperature (seconds)	45
Lead-free Process Capability	Wave Capable (TH only)
Max. Cycles at Max. Process Temperature	1
Process Temperature max. C	260

Material Info**Reference - Drawing Numbers**

Packaging Specification	PK-95040
Product Specification	PS-85504-001
Sales Drawing	SD-85504-501

This document was generated on 06/07/2010

PLEASE CHECK WWW.MOLEX.COM FOR LATEST PART INFORMATION

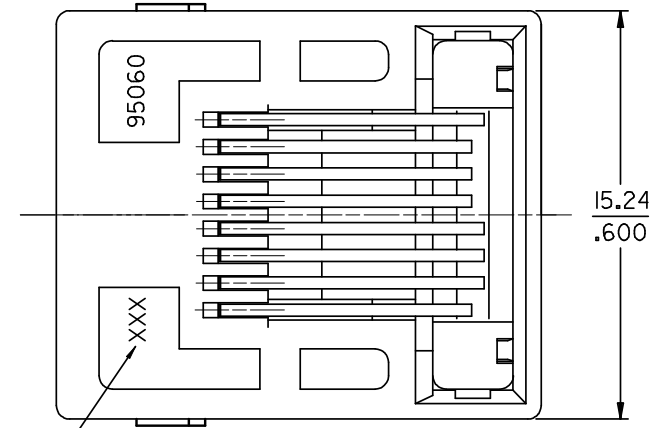
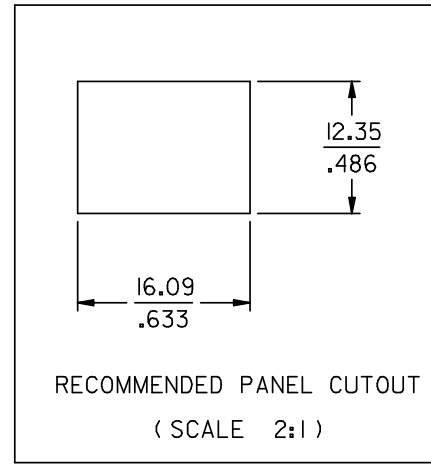
TECHNICAL SPECIFICATIONS:

1- MATERIAL :

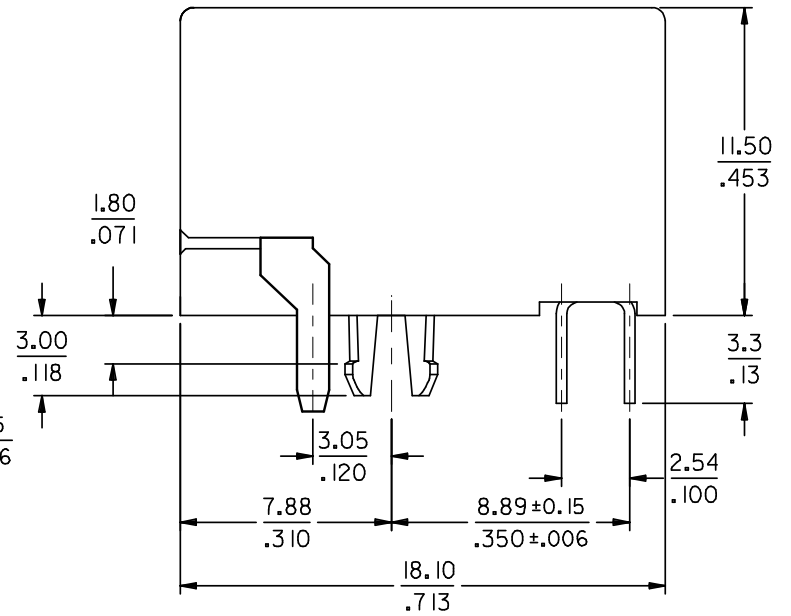
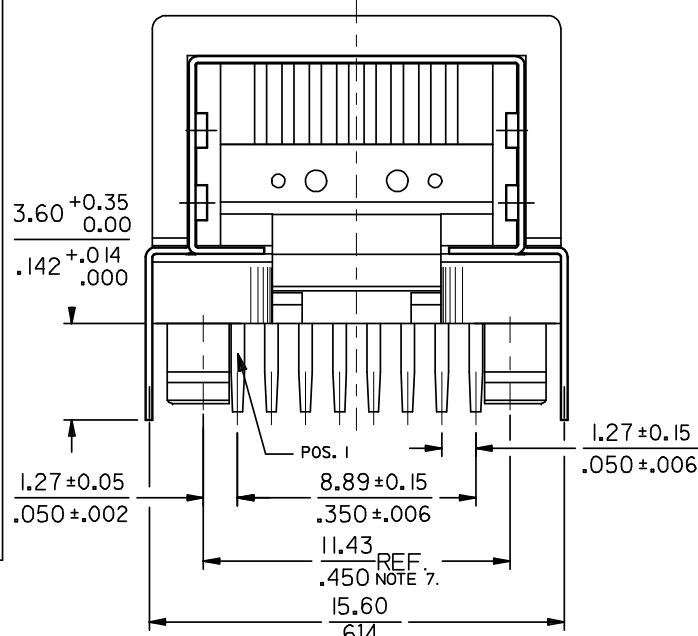
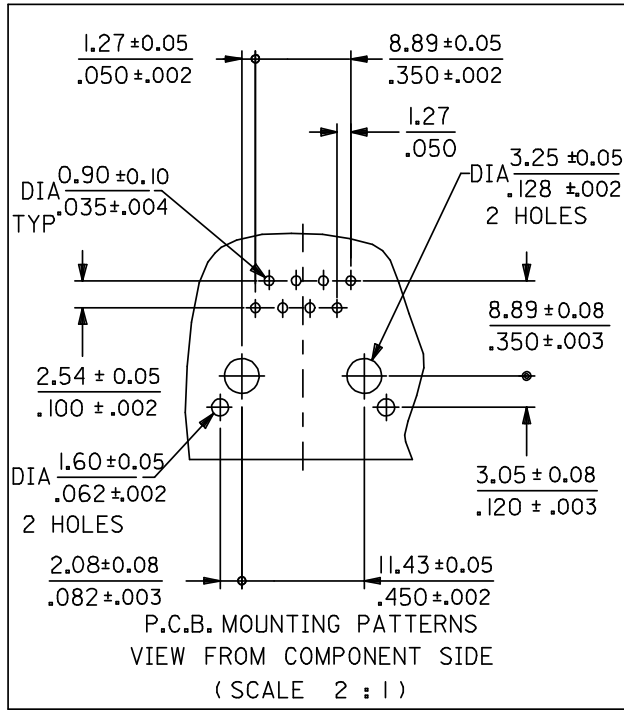
HOUSING : LCP GLASS FILLED UL 94 V-0 COLOUR: BLACK 89992-0612
 TERMINAL : PHOSPHOR BRONZE PLATED WITH :
 0.00127/.000050 MIN GOLD IN CONTACT AREA,
 0.00190/.000075 MIN PURE TIN IN TAIL AREA,
 BOTH OVER 0.00127/.000050 MIN NICKEL OVERALL

SHIELD : BRASS PLATED WITH 0.0020/.000078 MIN TIN

2- P.C. BOARD THICKNESS : 1.57/.062



SEE NOTE 6



NOTES:

- JACK FOR MATING WITH F.C.C. 68 PLUGS (95043 MOLEX SERIES).
- PRODUCT SPECIFICATION: MOLEX PS-85504-001
- APPLICATION SPECIFICATION: SEE AS-85513-001
- PACKAGING SPECIFICATION: MOLEX PK-95040
- EXCEEDS CATEGORY 5E PERFORMANCE
- LOGO MAY BE MXF, MG OR MXI
- TRUE CENTRE OF PEGS.

REV	DESCRIPTION
7	MODIFIED DIM
6	ADDED NOTE 7
5	EC NO: E2008-0608
4	DRWN:BBYRNES 2008/04/25
3	CHKD: 2008/05/01
2	APPR: EOMAHONY 2008/05/02

QUALITY SYMBOLS	▽=0
	∇=0

GENERAL TOLERANCES (UNLESS SPECIFIED)	
	mm INCH
4 PLACES ± ---	± ---
3 PLACES ± ---	± .010
2 PLACES ± 0.25	± .014
1 PLACE ± 0.35	± ---
ANGULAR ± 2 °	
DRAFT WHERE APPLICABLE MUST REMAIN WITHIN DIMENSIONS	

DIMENSION STYLE MM/IN	
DRAWN BY HB	DATE 99/07/07
CHECKED BY	DATE
APPROVED BY FB	DATE
MATERIAL NO. 85504-5001	DOCUMENT NO. SD-85504-501
SIZE A3	THIS DRAWING CONTAINS INFORMATION THAT IS PROPRIETARY TO MOLEX INCORPORATED AND SHOULD NOT BE USED WITHOUT WRITTEN PERMISSION

SCALE 5:1	DESIGN UNITS METRIC	THIRD ANGLE PROJECTION
TITLE RIGHT ANGLE LOW PROFILE CATEGORY 5 SHIELDED PC JACK (THROUGH HOLE)		
MOLEX MOLEX INCORPORATED		
SHEET NO. 1 OF 1		