

**PLEASE CHECK WWW.MOLEX.COM FOR LATEST PART INFORMATION**

**Part Number:** [0940304071](#)  
**Status:** **Active**  
**Description:** Quick Disconnect, Male, for 0.50-1.00mm<sup>2</sup> (18-20 AWG) wire, Tab 6.35mm (.250") x 0.81mm (.032")

**Documents:**

[Drawing \(PDF\)](#)

[RoHS Certificate of Compliance \(PDF\)](#)

**General**

Product Family	Quick Disconnects
Series	<a href="#">94030</a>
Crimp Quality Equipment	Yes
Product Name	N/A
Type	Quick Disconnect

**Physical**

Barrel Type	Open
Gender	Male
Glow-Wire Compliant	No
Insulation	None
Lock to Mating Part	None
Material - Metal	Brass
Material - Plating Mating	Tin
Material - Plating Termination	Tin
Orientation	Straight
Packaging Type	Reel
Plating min: Mating (µin)	80
Plating min: Mating (µm)	2
Plating min: Termination (µin)	80
Plating min: Termination (µm)	2
Polarized to Mating Part	Yes
Tab Thickness	0.81mm (.032")
Tab Width	6.35mm (.250")
Temperature Range - Operating	80°C
Wire Insulation Diameter	2.00-3.30mm (.079"-.130")
Wire Size AWG	18, 20
Wire Size mm <sup>2</sup>	0.50-1.00

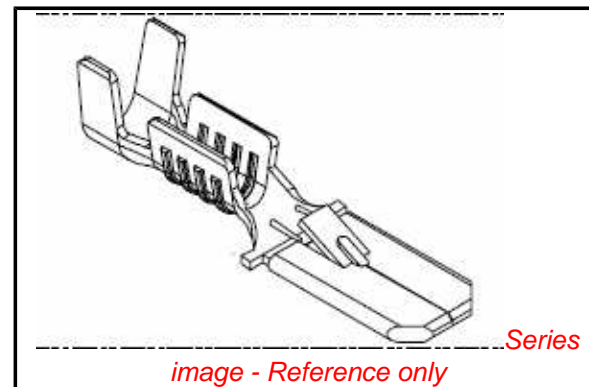
**Electrical**

Voltage - Maximum	250V
-------------------	------

**Material Info**

**Reference - Drawing Numbers**

Sales Drawing	94030-407X-SD
---------------	---------------



**EU RoHS**

**ELV and RoHS  
Compliant**

**REACH SVHC**

**Contains SVHC: No**

**Halogen-Free**

**Status**

**Halogen-Free**

**China RoHS**



**Need more information on product  
environmental compliance?**

Email [productcompliance@molex.com](mailto:productcompliance@molex.com)  
 For a multiple part number RoHS Certificate of Compliance, [click here](#)

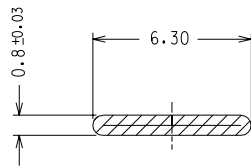
Please visit the [Contact Us](#) section for any non-product compliance questions.

**Search Parts in this Series**

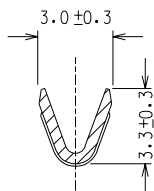
[94030Series](#)

**Use With**

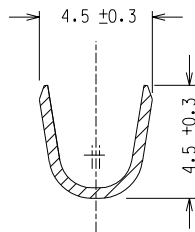
[94090-4050](#) , [94090-4090](#) , [94090-0200](#) ,  
[94502-0210](#) , [94090-4130](#) , [94090-4110](#) ,  
[94090-4160](#) , [94090-4210](#) , [94090-4220](#) ,  
[94502-0600](#) , [94502-0800](#) , [94090-4190](#)



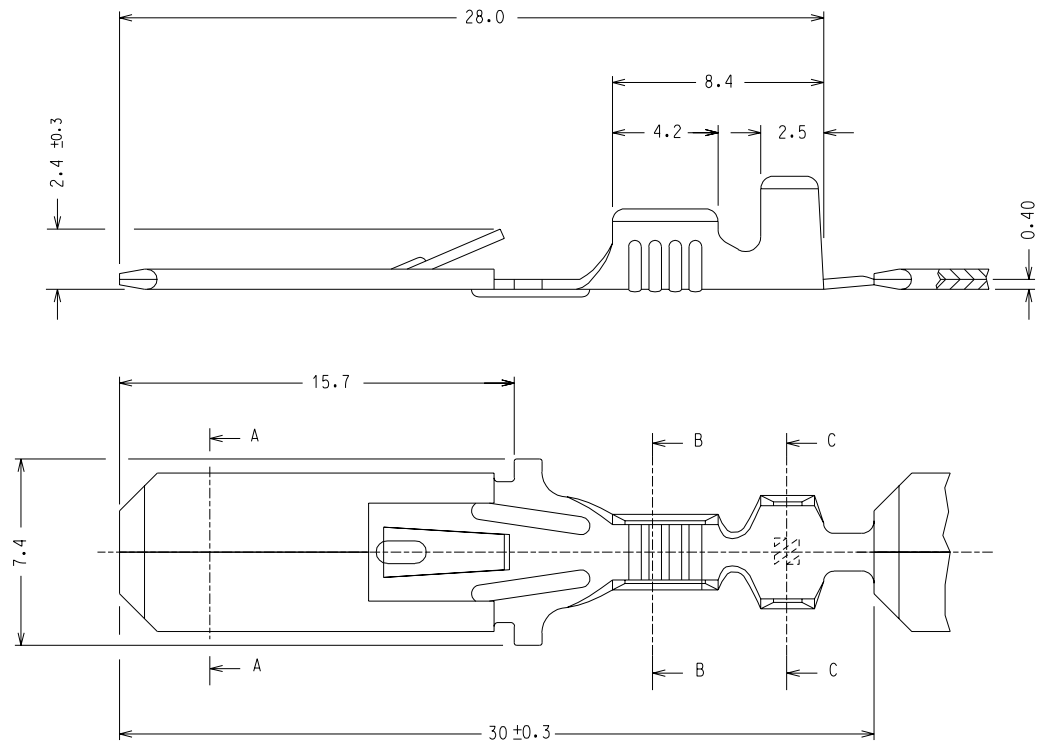
SECTION A - A



SECTION B - B



SECTION C - C



CODICE P/N	MATERIALE MATERIAL	FINITURA PLATING	NOTE NOTE
94030-4070	OTTONE	GREGGIO/ PLAIN	/
94030-4071	BRASS	STAGNATO/ TIN	/
94030-4072	BRONZO FOSF.	GREGGIO/ PLAIN	/
94030-4073	PHOSPH. BRONZE	STAGNATO/ TIN	/
94030-4079	OTTONE/ BRASS	GREGGIO/ PLAIN	AVVOLTO CON CARTA INTERMEDIA WOUND WITH INTERLEAF PAPER

A2 ECN Z6-117 05-04-96 S.L.  
Aggiunto codice 94030-4079

A1 ECN Z3-169 25-11-93 G.F.  
Aggiunto nervatura su dentino

A LTR ECN Z0-004 G.F.  
10-01-90

REVISIONS

DIMENSIONS SHOWN (METRIC) INCH	
UNLESS OTHERWISE SPECIFIED TOLERANCES: ANGULAR ± 0.2	
INCH	(METRIC)
3 PLACE ±	
2 PLACE ±	± 0.1
1 PLACE	± 0.2

DESIGN DIMENSION (PRIMARY)	<input type="checkbox"/> (MM) <input type="checkbox"/> IN
EQUIVALENT DIMENSION (SECONDARY)	<input type="checkbox"/> (MM) <input type="checkbox"/> IN.

DRWG BY

Gottardo

CHK'D BY

APP'D BY

Previato

SCALE

5 : 1

REVISE ONLY ON CAD SYSTEM

SH. REV.

CAD/CAM FILENAME  
CAD FILE 030407XS

THIS DRAWING CONTAINS INFORMATION THAT IS PROPRIETARY TO  
MOLEX INC AND SHOULD NOT BE USED WITHOUT WRITTEN PERMISSION

TITLE  
TERMINALE MASCHIO DA 6.3 x 0.8  
MALE TERMINAL 6.3 x 0.8

SEZ. RAME/ WIRE RANGE: 0.5-1.0 mm<sup>2</sup> - ISOLANTE/ INS. RANGE: Ø 2.0-3.3 mm

MOLEX MOLEX INCORPORATED

SHEET NO. DATE  
1 / 1 09-01-90

PART NO.

VEDI  
SEE

TABELLA  
CHART

DWG NO.

94030-407X SD

SIZE  
B