

GENERAL INFORMATION

AVX SR Series

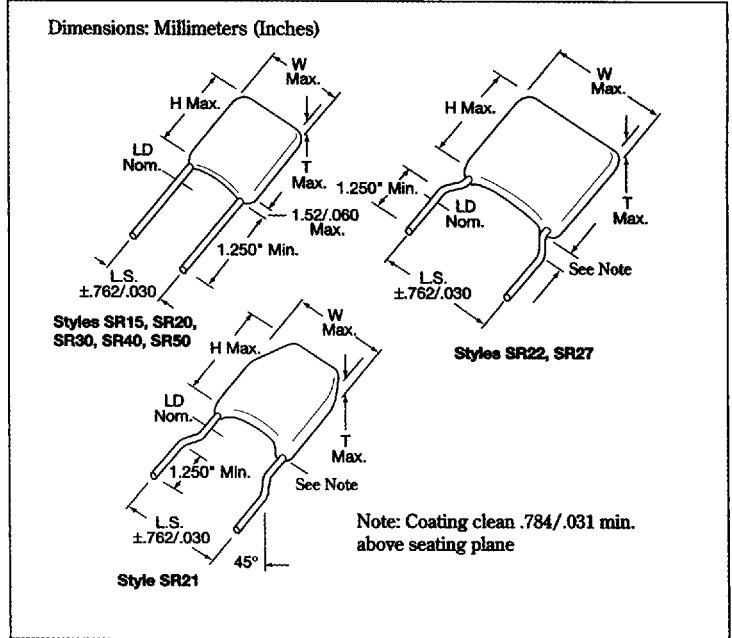
Conformally Coated Radial Leaded MLC

Temperature Coefficients: NP0, X7R, Z5U

200, 100, 50 Volts (300V, 400V & 500V also available)

Case Material: Epoxy

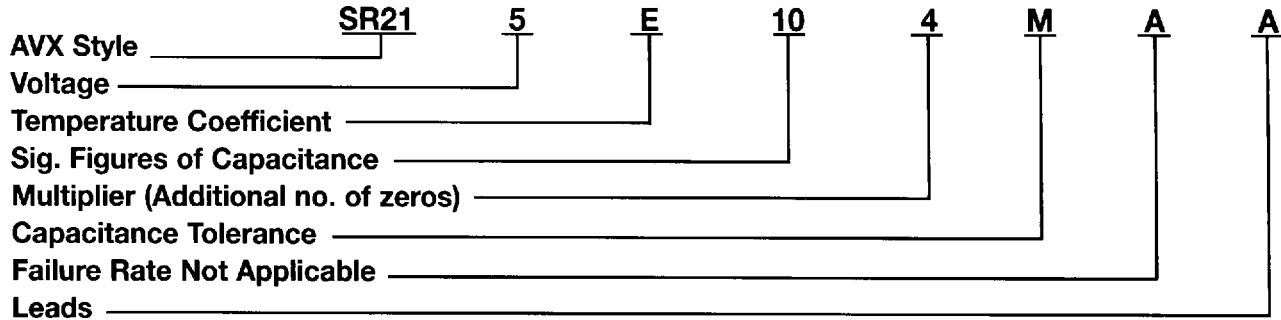
Lead Material: Solderable



HOW TO ORDER

AVX Styles: SR15, SR20, SR21, SR22, SR27, SR30, SR40, SR50

Part Number Example



Part Number Codes

Voltages: 50V = 5, 100V = 1, 200V = 2, 300V = 9, 400V = 8, 500V = 7

Temp. Coefficient: NP0 = A, X7R = C, Z5U = E

Sig. Figures of Capacitance and Multiplier:

First two digits are the significant figures of capacitance. Third digit indicates the additional number of zeros. For example, order 100,000 pF as 104. (For values below 10pF, use "R" in place of decimal point, e.g., 1R4 = 1.4 pF).

Capacitance Tolerances:

NP0: C = ±.25pF, D = ±.5pF, F = ±1.0% (>50 pF only), G = ±2.0% (>25 pF only), J = ±5%, K = ±10%
 X7R: J = ±5%, K = ±10%, M = ±20%
 Z5U: M = ±20%, Z = +80%, -20%

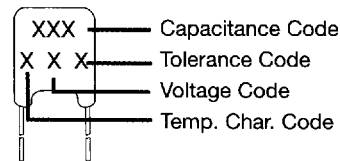
Tolerance Codes F and G are not available in SR15.

Failure Rate: A = Not Applicable

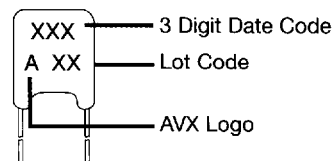
Leads: T = Trimmed Leads, .230" ± .030"
 A = Long Leads, 1.25" minimum

MARKING

FRONT



BACK



PACKAGING REQUIREMENTS

	Quantity per Bag
SR15, 20, 21, 22, 27, 30	1000 Pieces
SR40, 50	500 Pieces

Note: SR15, SR20, SR21, SR30, and SR40 available on tape and reel per EIA specifications RS-468. See Pages 24 and 25.

NP0 Dielectric

SIZE AND CAPACITANCE SPECIFICATIONS

EIA Characteristic

Dimensions: Millimeters (Inches)

AVX Style	SR15	SR20	SR21	SR22	SR27	SR30	SR40	SR50											
AVX "Insertable"	SR07	SR29	SR59	N/A	N/A	SR65	SR75	N/A											
Width (W)	3.81 (.150)	5.08 (.200)	5.08 (.200)	5.08 (.200)	6.604 (.260)	7.62 (.300)	10.16 (.400)	12.70 (.500)											
Height (H)	3.81 (.150)	5.08 (.200)	5.08 (.200)	5.08 (.200)	6.35 (.250)	7.62 (.300)	10.16 (.400)	12.70 (.500)											
Thickness (T)	2.54 (.100)	3.175 (.125)	3.175 (.125)	3.175 (.125)	4.06 (.160)	3.81 (.150)	3.81 (.150)	5.08 (.200)											
Lead Spacing (L.S.)	2.54 (.100)	2.54 (.100)	5.08 (.200)	6.35 (.250)	7.62 (.300)	5.08 (.200)	5.08 (.200)	10.16 (.400)											
Lead Diameter (L.D.)	.508 (.020)	.508 (.020)	.508 (.020)	.508 (.020)	.508 (.020)	.508 (.020)	.508 (.020)	.635 (.025)											
Cap. in.* Industry Preferred Values in Blue	WVDC			WVDC			WVDC			WVDC			WVDC		WVDC		WVDC		
	200	100	50	200	100	50	200	100	50	200	100	50	200	100	50	100	50	100	50
1.0-9.9 10 15	SR151A1R0DAA SR151A100KAA SR.....A150KAA	█																	
22 33 39	SR.....A220KAA SR.....A330KAA SR.....A390KAA			▨															
47 68 100	SR.....A470KAA SR.....A680KAA SR151A101KAA			▨															
150 220 330	SR.....A151KAA SR.....A221KAA SR.....A331KAA			▨															
390 470 680	SR.....A391KAA SR.....A471KAA SR.....A681KAA																		
1000 1500 2200	SR211A102KAA SR.....A152KAA SR.....A222KAA		█				█			█			█						
3900 4700 6800	SR.....A392KAA SR.....A472KAA SR.....A682KAA																		
8200 10,000 15,000	SR.....A822KAA SR305A103KAA SR.....A153KAA															█			
22,000 33,000 39,000	SR.....A223KAA SR.....A333KAA SR.....A393KAA																		
47,000 68,000 100,000	SR.....A473KAA SR.....A683KAA SR.....A104KAA																		

For other styles, voltages, tolerances and lead lengths see Part No. Codes or contact factory.

*Other capacitance values available upon special request.

█ = Industry preferred values

▨ = Available in tight tolerances only

X7R Dielectric

SIZE AND CAPACITANCE SPECIFICATIONS

EIA Characteristic

Dimensions: Millimeters (Inches)

AVX Style	SR15	SR20	SR21	SR22	SR27	SR30	SR40	SR50
AVX "Insertable"	SR07	SR29	SR59	N/A	N/A	SR65	SR75	N/A
Width (W)	3.81 (.150)	5.08 (.200)	5.08 (.200)	5.08 (.200)	6.604 (.260)	7.62 (.300)	10.16 (.400)	12.70 (.500)
Height (H)	3.81 (.150)	5.08 (.200)	5.08 (.200)	5.08 (.200)	6.35 (.250)	7.62 (.300)	10.16 (.400)	12.70 (.500)
Thickness (T)	2.54 (.100)	3.175 (.125)	3.175 (.125)	3.175 (.125)	4.06 (.160)	3.81 (.150)	3.81 (.150)	5.08 (.200)
Lead Spacing (L.S.)	2.54 (.100)	2.54 (.100)	5.08 (.200)	6.35 (.250)	7.62 (.300)	5.08 (.200)	5.08 (.200)	10.16 (.400)
Lead Diameter (L.D.)	.508 (.020)	.508 (.020)	.508 (.020)	.508 (.020)	.508 (.020)	.508 (.020)	.508 (.020)	.635 (.025)
Cap. in.* Industry Preferred Values in Blue	WVDC 100 50	WVDC 100 50	WVDC 100 50	WVDC 100 50	WVDC 100 50	WVDC 100 50	WVDC 100 50	WVDC 100 50
470 1000 1500	SR.....C471KAA SR155C102KAA SR.....C152KAA							
2200 3300 4700	SR.....C222KAA SR.....C332KAA SR.....C472KAA							
6800 10,000 15,000	SR.....C682KAA SR215C103KAA SR.....C153KAA							
22,000 33,000 47,000	SR.....C223KAA SR.....C333KAA SR.....C473KAA							
68,000 100,000 150,000	SR.....C683KAA SR215C104KAA SR.....C154KAA							
220,000 330,000 390,000	SR215C224KAA SR.....C334KAA SR.....C394KAA							
470,000 1.0 µF 2.2 µF	SR305C474KAA SR305C105KAA SR405C225KAA							
2.7 µF 4.7 µF	SR505C275KAA SR505C475KAA							

For other styles, voltages, tolerances and lead lengths see Part No. Codes or contact factory.

*Other capacitance values available upon special request.

= Industry preferred values

Z5U Dielectric

SIZE AND CAPACITANCE SPECIFICATIONS

EIA Characteristic

Dimensions: Millimeters (Inches)

AVX Style	SR15	SR20	SR21	SR22	SR27	SR30	SR40	SR50
AVX "Insertable"	SR07	SR29	SR59	N/A	N/A	SR65	SR75	N/A
Width (W)	3.81 (.150)	5.08 (.200)	5.08 (.200)	5.08 (.200)	6.604 (.260)	7.62 (.300)	10.16 (.400)	12.70 (.500)
Height (H)	3.81 (.150)	5.08 (.200)	5.08 (.200)	5.08 (.200)	6.35 (.250)	7.62 (.300)	10.16 (.400)	12.70 (.500)
Thickness (T)	2.54 (.100)	3.175 (.125)	3.175 (.125)	3.175 (.125)	4.06 (.160)	3.81 (.150)	3.81 (.150)	5.08 (.200)
Lead Spacing (L.S.)	2.54 (.100)	2.54 (.100)	5.08 (.200)	6.35 (.250)	7.62 (.300)	5.08 (.200)	5.08 (.200)	10.16 (.400)
Lead Diameter (L.D.)	.508 (.020)	.508 (.020)	.508 (.020)	.508 (.020)	.508 (.020)	.508 (.020)	.508 (.020)	.635 (.025)
Cap. in.* Industry Preferred pF Values in Blue	WVDC 100 50	WVDC 100 50	WVDC 100 50	WVDC 100 50	WVDC 100 50	WVDC 100 50	WVDC 100 50	WVDC 100 50
10,000 47,000 100,000	SR155E103ZAA SR.....E473ZAA SR215E104ZAA							
150,000 220,000 330,000	SR.....E154ZAA SR215E224ZAA SR215E334ZAA							
470,000 680,000 1.0 µF	SR215E474ZAA SR.....E684ZAA SR305E105ZAA							
1.5 µF 2.2 µF 3.3 µF	SR.....E155ZAA SR.....E225ZAA SR.....E335ZAA							
4.7 µF	SR.....E475ZAA							

For other styles, voltages, tolerances and lead lengths see Part No. Codes or contact factory.

*Other capacitance values available upon special request.

= Industry preferred values

AVX 500 VOLT SKYCAPS**

STYLE*	MAXIMUM CAPACITANCE VALUE	
	NPO	X7R
SR29	900 pF	.015 µF
SR20	1800 pF	.033 µF
SR28 SR59	900 pF	.015 µF
SR13 SR21	1800 pF	.033 µF
SR30 SR61 SR65	7200 pF	.12 µF
SR40 SR75	.015 µF	.27 µF
SR22	1800 pF	.033 µF
SR27	1800 pF	.033 µF
SR76	.015 µF	.27 µF
SR50	.036 µF	.59 µF

*Consult pages 18 and 19 for style sizes.

**Voltage rating based on DWV of 150% of rated voltage.

Configurations by Lead Spacing

LEAD SPACING .100 ±.030 Dimensions: Millimeters (Inches)

<p>SR14 (T=.125)</p>	<p>SR15* (T=.100)</p>	<p>SR07* (T=.100)</p>	<p>SR20* (T=.125)</p>	<p>SR29* (T=.125)</p>
---------------------------------	----------------------------------	----------------------------------	----------------------------------	----------------------------------

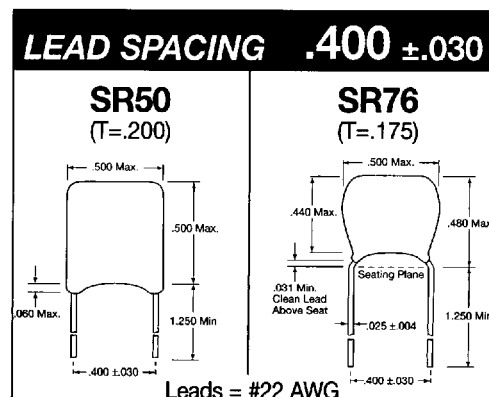
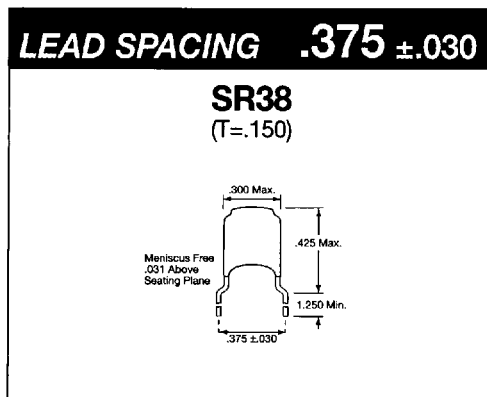
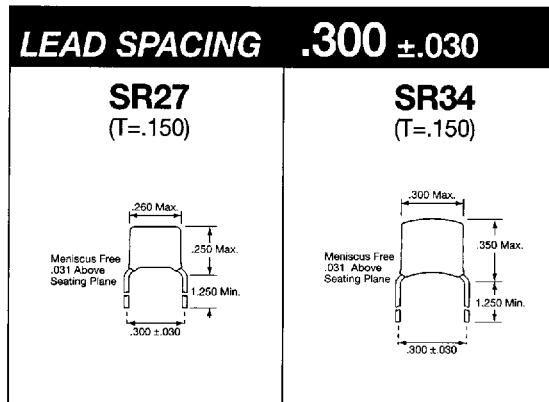
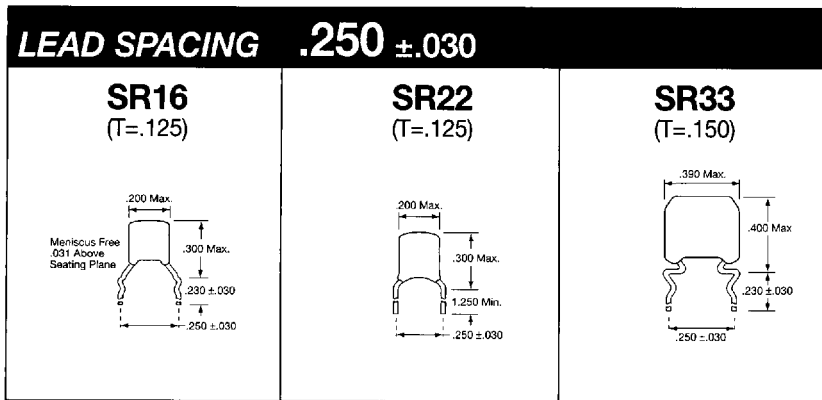
LEAD SPACING .200 ±.030 Dimensions: Millimeters (Inches)

<p>SR12* (T=.125)</p>	<p>SR13* (T=.125)</p>	<p>SR21* (T=.125)</p>	<p>SR21-85* (T=.125)</p>
----------------------------------	----------------------------------	----------------------------------	-------------------------------------

LEAD SPACING .200 ±.030 Dimensions: Millimeters (Inches)

<p>SR28* (T=.125)</p>	<p>SR30* (T=.150)</p>	<p>SR32* (T=.150)</p>	<p>SR40* (T=.150)</p>	<p>SR59* (T=.125)</p>	<p>SR61 (T=.150)</p>
<p>SR63* (T=.150)</p>	<p>SR65* (T=.150)</p>	<p>SR67 (T=.125)</p>	<p>SR75* (T=.150) Leads = #22AWG</p>	<p>NOTES:</p> <ol style="list-style-type: none"> 1. All leads are #24 AWG unless otherwise noted. 2. Available in tape and reel packaging(*). 3. Other styles are also available, contact factory. 4. (T = XXX) under type designation is maximum thickness in inches. <p style="text-align: right;">www.DataSheet4U.com</p>	

Configurations by Lead Spacing



- NOTES:**
1. All leads are #24 AWG unless otherwise noted.
 2. Available in tape and reel packaging(*).
 3. Other styles are also available, contact factory.
 4. (T = XXX) under type designation is maximum thickness in inches.