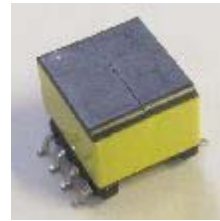
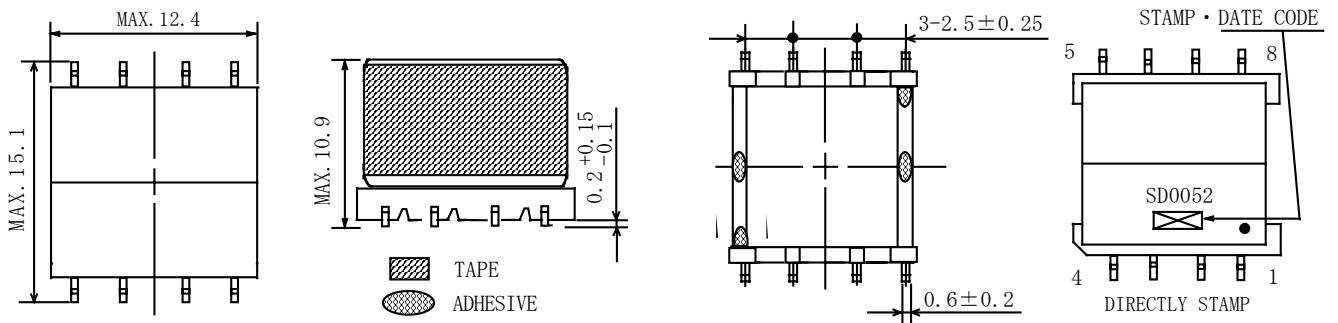
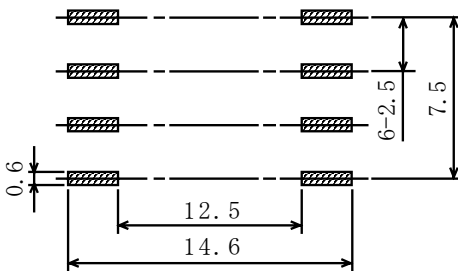
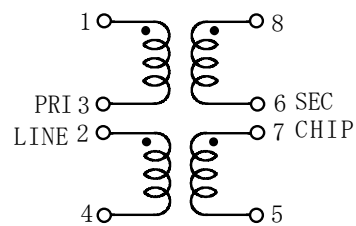


Type: CEP1010
◆ Product Description

- 15.1×12.4mm Max.(L×W),10.9mm Max. Height.

◆ Feature

- xDSL line transformer.
- Ideally used in ADSL Customer Premises Equipment and splitter.
- RoHS Compliance.


◆ Dimensions (mm)

◆ Land Pattern (mm)

◆ Schematics(Bottom)

◆ Specification

| Part Name | Primary OCL | Turns ratio (Pri:Sec) | THD (dB) | Insulation level | Application |
|-----------|------------------|-----------------------|-----------|------------------|-------------|
| SD0052 | 475μH±10% Within | 1.41:1 | 80dB MIN. | Supplementary | Splitter |