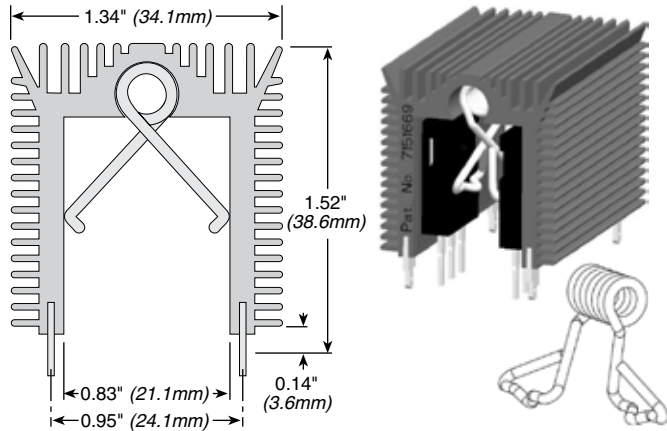


M Series Heatsinks

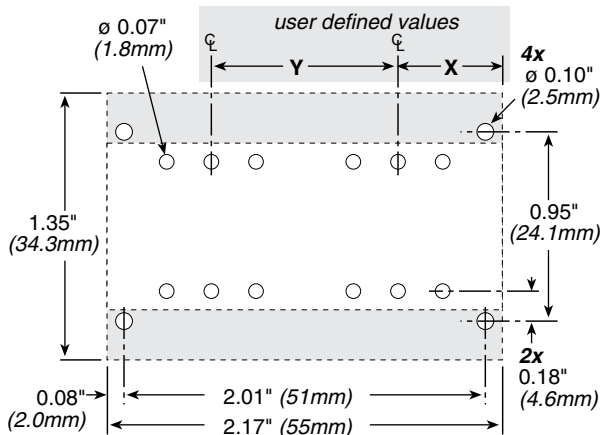
Heatsink with two clips for TO-264 and TO-247



Part No.	Surface Area (in ² /mm ²)	Weight (oz./g)	Thermal Resistance (°C/w)*
MV-102-55E	45 / 29,097	2.2 / 63	2.0
MA-102-55E	45 / 29,097	2.2 / 63	2.0

* Forced convection @200 LFM

LAND PATTERN



STANDARD PART NUMBERS FOR M SERIES		
Part Number	Description	Packaging
MV-102-55E	Degreased	Bulk
MA-102-55E	Black anodized	Bulk

Ohmite introduces the M series, patented (Pat. No. 7,151,669), high performance, low cost, configurable, scalable and compact heat sink with matrix clip system for TO-247 and TO-264 packages. This powerful heat sink provides the easiest assembly, largest surface area and smallest footprint. It is the ideal type of heat sink for high power density and small size (1U or 2U) electronic packaging with forced convection cooling.

SPECIFICATIONS

Heat Sink: Aluminum Alloy 6063-T5 or Equivalent with either degreased or black anodized finish.

Spring Clip: Music Wire, Per ASTM A228 with bright nickel plating

Solder Foot: Cold-rolled Steel, Per ASTM A-366 with pure tin over copper strike. RoHS compliant.

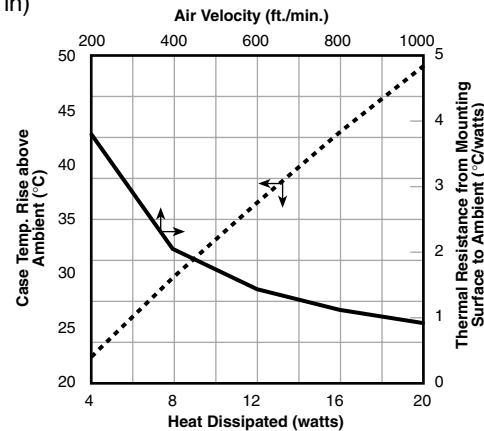
Insulator: (Optional) Sil-Pad 900-S, K6 800-S and K10

FEATURES

- **Minimum assembly cost and labor.** Spring Clips make the mounting holes and fasteners obsolete in assembly operations & reduce costs.
- **Maximum Thermal Transfer.** Maximum surface area per unit volume, efficient cooling fins & consistent mounting force reduces thermal resistance
- **Maximum Repeatability.** Constant spring force over repeated assembly/disassembly
- **Maximum Reliability.** Resilient spring action locks electronic component in place. Fewer parts in assembly and no fasteners and washers required. Prevent short circuit by eliminating metal particles generated from hardware or thread tapping
- **Design Flexibility.** Maximum flexibility for dynamic device locations and power up grading. "Configure-to-Fit" & "Scale-to-Meet" options give designers the total freedom to configure the heat sink to fit their packaging designs and to scale the heat sink to meet their power dissipations.

HEAT DISSIPATION

(L = 1.8 in)



ORDERING INFORMATION

No. of clips RoHS Compliant
M V - 1 0 2 - 5 5 E
 Series Finish Length (mm)

A = black anodized
 V = degreased

**Check product availability
using the Worldwide Inventory
Search at ohmite.com**