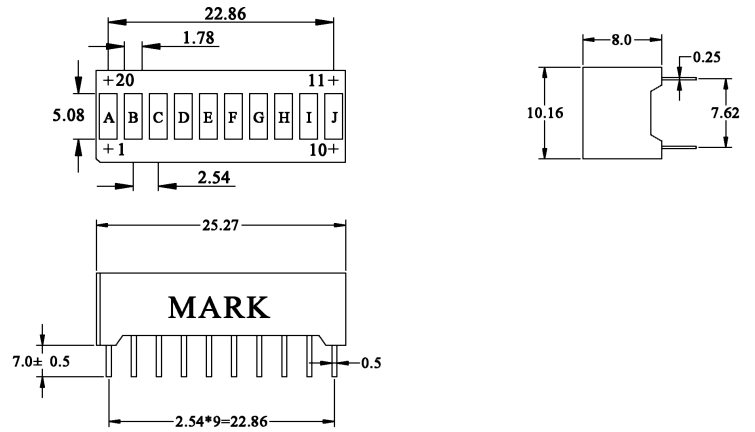


MTB10000-PG

Features

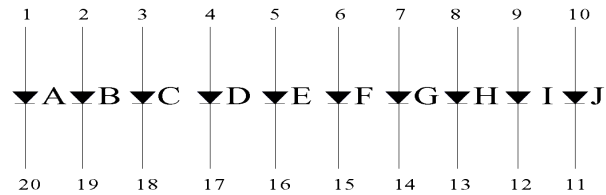
- Solid state reliability
- Low Current Requirements
- Wide Viewing Angle
- IC Compatible



Maximum Ratings (Ta=25°C)

Characteristic	Symbol	Max.	Unit
Forward Current	I _F	30	mA
Reverse Voltage	V _R	5	V
Power Dissipation	PD	7.8	mW
Operating Temperature	T _{opr}	-40 ~ +85	°C
Storage Temperature	T _{stg}	-40 ~ +100	°C
Soldering Temperature	T _{sol}	260	°C
Soldering Time	-	for 3 sec. max	-

1. ALL DIMENSIONS ARE IN mm, TOLERANCE IS ± 0.25mm UNLESS OTHERWISE NOTED.
2. THE SLOPE ANGLE OF ANY PIN MAY BE ± 5.0° MAX.



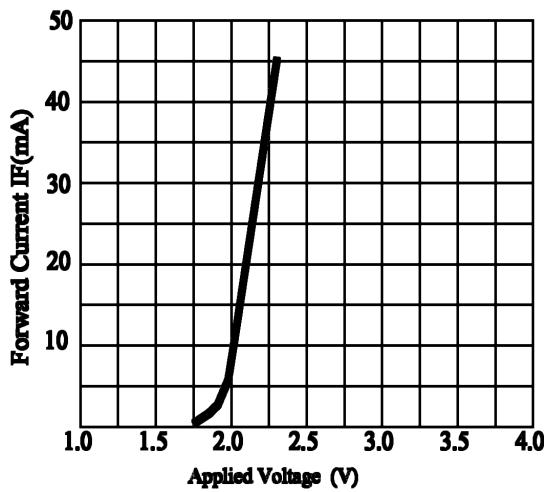
Opto-Electrical Characteristics (Ta=25°C)

Characteristic	Symbol	Test Condition	Min	Typ	Max	Unit
Forward Voltage	V _F	I _F =10mA	-	2.10	2.60	V
Reverse Current	I _R	V _R =5V	-	-	100	μA
Luminous Intensity	I _v	I _F =10mA	1.40	3.40	-	mcd
Peak Wavelength	λ _p	I _F =20mA	-	555	-	nm
Dominant Wavelength	λ _d	I _F =20mA	-	562	-	nm
Spectral Line Half Width	Δλ	I _F =20mA	-	25	-	nm

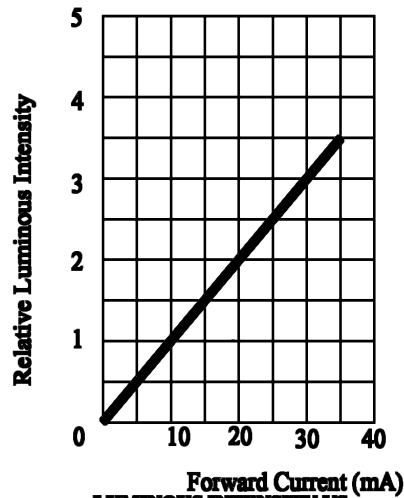
Pin No.	Function	Pin No.	Function
1	A ANODE	11	J CATHODE
2	B ANODE	12	I CATHODE
3	C ANODE	13	H CATHODE
4	D ANODE	14	G CATHODE
5	E ANODE	15	F CATHODE
6	F ANODE	16	E CATHODE
7	G ANODE	17	D CATHODE
8	H ANODE	18	C CATHODE
9	I ANODE	19	B CATHODE
10	J ANODE	20	A CATHODE

MTB10000-PG Graphs

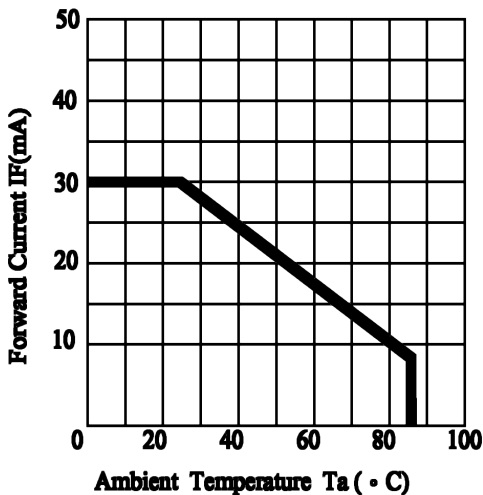
Typical Electrical/Optical Characteristic Curves (25 °C Ambient Temperature Unless Otherwise Noted)



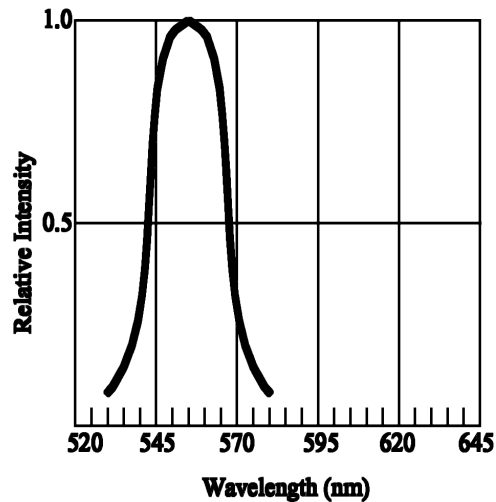
FORWARD CURRENT VS. APPLIED VOLTAGE



LUMINOUS INTENSITY VS. FORWARD CURRENT



FORWARD CURRENT VS. AMBIENT TEMPERATURE



RELATIVE INTENSITY VS. WAVELENGTH