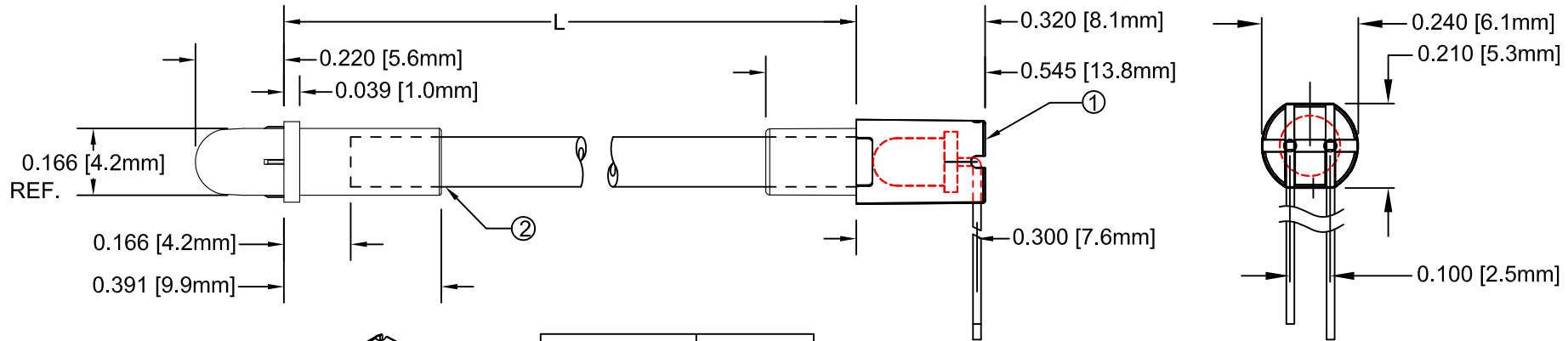


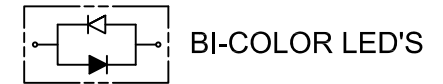
| ITEM | Q'TY | PART NUMBER | PART DESCRIPTION  |
|------|------|-------------|---|
| 1    | 1    | FLPR2-XX    | Flexible Light Pipe 2mm Adapter, Right Angle w/ LED, See page 2 |
| 2    | 1    | FLPD-XX.X   | Flexible Light Pipe Lens Cap Assembly, 2mm, Dome Face           |

| REV. | DESCRIPTION         | DATE     | APPROVED |
|------|---------------------|----------|----------|
| A    | Engineering Release | 09/14/09 | T. Y.    |
|      |                     |          |          |
|      |                     |          |          |
|      |                     |          |          |
|      |                     |          |          |

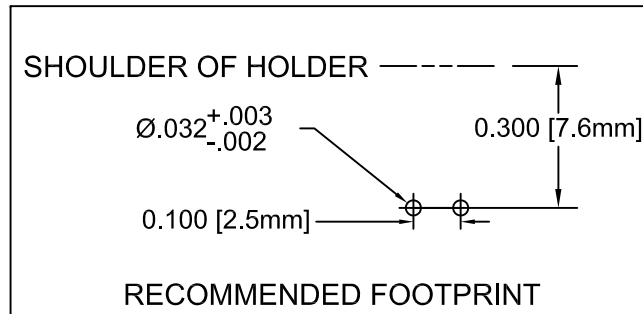
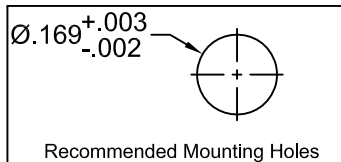
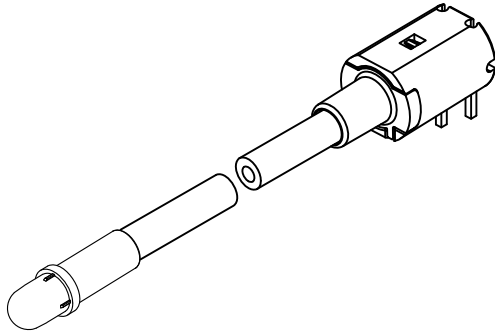
**NOTE: FLPR2-XX ADAPTER SHIPPED NON-ASSEMBLED**



| " L "            | Tolerance |
|------------------|-----------|
| 2.5" ~ 16.0"     | ±0.050"   |
| 16.1" ~ 40.0"    | ±0.15"    |
| 40.1" ~ 80.0"    | ±0.30"    |
| 80.1" ~ 3,940.0" | ±0.5%     |



| SHORT LEAD CATHODE | LED PART NO. | LONG LEAD CATHODE |
|--------------------|--------------|-------------------|
| RED                | 3xBCC-F      | GREEN             |
| YELLOW             | 3xBCC-Y/G-F  | GREEN             |
| RED                | 3xBCC-R/Y-F  | YELLOW            |
| AMBER              | 3xBCC-A/G-F  | GREEN             |



### ABSOLUTE MAXIMUM RATINGS (Ta=25°C)

|   |                      |
|---|----------------------|
| REVERSE VOLTAGE _____                             | 5V                   |
| REVERSE CURRENT _____                             | 100uA                |
| OPERATING TEMPERATURE RANGE _____                 | -25° C - 85° C       |
| STORAGE TEMPERATURE _____                         | -30° C - 100° C      |
| LEAD SOLDERING TEMPERATURE(1/16" FROM BODY) _____ | 260° C FOR 5 SECONDS |

|   |                       |   |
|---|-----------------------|---|
| STANDARD TOLERANCE (UNLESS OTHERWISE SPECIFIED) |                       | <br>4 THOMAS, IRVINE, CA. 92618<br>TEL: (949) 951-8808 FAX: (949) 951-3974  |
| DECIMALS  | ANGULAR               |   |
| .X ±.1  | X° ± 1°               | <b>TITLE:</b> FLEXIBLE LIGHT PIPE ASSY, DOME FACE, RIGHT ANGLE<br><b>PART NO:</b> FLP2DRX.X-XXX<br><b>REVISION:</b> A |
| .XX ±.02  |                       |   |
| .XXX ±.010                                      |                       |   |
| DESIGNED: <b>Brian Oliver</b>                   | DATE: <b>09/14/09</b> | <b>CAGE CODE :</b> 32559 <b>SHEET # 1 OF 2</b>  |
| CHECKED: <b>Fred Jensen</b>                     | DATE: <b>09/14/09</b> |   |
| CAD GENERATED DOCUMENT, DO NOT MEASURE DRAWING. |                       |   |

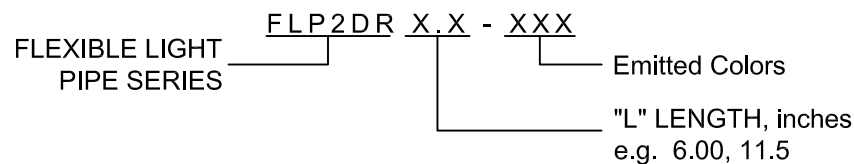
| REV. | DESCRIPTION | DATE | APPROVED |
|------|-------------|------|----------|
|      | SEE SHEET#1 |      |          |
|      |             |      |          |
|      |             |      |          |
|      |             |      |          |
|      |             |      |          |

SINGLE COLOR ASSEMBLIES



| Assembly Part No. | Emitted Color | LED Part No. |
|-------------------|---------------|--------------|
| FLP2DRX.X-SA      | AMBER         | 3SAC-F       |
| FLP2DRX.X-UBW     | BLUE          | 3UBWC-0.6K-F |
| FLP2DRX.X-SG      | GREEN         | 3SGC-F       |
| FLP2DRX.X-UG      | GREEN         | 3UGC-F       |
| FLP2DRX.X-SUG     | GREEN         | 3SUGC-F      |
| FLP2DRX.X-UO      | ORANGE        | 3UOC-F       |
| FLP2DRX.X-SUO     | ORANGE        | 3SUOC-F      |
| FLP2DRX.X-SR      | RED           | 3SRC-F       |
| FLP2DRX.X-UR      | RED           | 3URC-F       |
| FLP2DRX.X-SUR     | RED           | 3SURC-F      |
| FLP2DRX.X-UT      | TURQUOISE     | 3UTC-F       |
| FLP2DRX.X-SY      | YELLOW        | 3SYC-F       |
| FLP2DRX.X-UY      | YELLOW        | 3UYC-F       |
| FLP2DRX.X-SUY     | YELLOW        | 3SUYC-F      |
| FLP2DRX.X-UUY     | YELLOW        | 3UUYC-F      |
| FLP2DRX.X-UW      | WHITE         | 3UWC-0.6K-F  |

BI-COLOR ASSEMBLIES

| Assembly Part No. | Emitted Color | LED Part No. |
|-------------------|---------------|--------------|
| FLP2DRX.X-BC      | HE RED        | 3BCC-F       |
|                   | GREEN         |              |
| FLP2DRX.X-YG      | YELLOW        | 3BCC-Y/G-F   |
|                   | GREEN         |              |
| FLP2DRX.X-RY      | YELLOW        | 3BCC-R/Y-F   |
|                   | HE RED        |              |
| FLP2DRX.X-AG      | AMBER         | 3BCC-A/G-F   |
|                   | GREEN         |              |
| FLP2DRX.X-SBC     | SUPER RED     | 3SBCC-F      |
|                   | HE GREEN      |              |
| FLP2DRX.X-SYG     | SUPER YELLOW  | 3SBCC-Y/G-F  |
|                   | HE GREEN      |              |
| FLP2DRX.X-SRY     | SUPER RED     | 3SBCC-R/Y-F  |
|                   | SUPER YELLOW  |              |



NOTES:  
1. REFERENCE LED PRINTS FOR OPTICAL/ELECTRICAL SPECIFICATIONS

|   |                          |   |                       |
|---|--------------------------|---|-----------------------|
| STANDARD TOLERANCE<br>( UNLESS OTHERWISE SPECIFIED )<br>DECIMALS                      ANGULAR |                          | <br><b>BIVAR</b> <sup>®</sup><br>4 THOMAS, IRVINE, CA. 92618<br>TEL: (949) 951-8808    FAX: (949) 951-3974 |                       |
|          |                          |   |                       |
| DESIGNED:<br><b>Brian Oliver</b>  | DATE:<br><b>09/14/09</b> | <b>PART NO:</b><br>FLP2DRX.X-XXX  | REVISION:<br><b>A</b> |
| CHECKED:<br><b>Fred Jensen</b>  | DATE:<br><b>09/14/09</b> | <b>CAGE CODE : 32559</b>  | <b>SHEET # 2 OF 2</b> |
| CAD GENERATED DOCUMENT, DO NOT MEASURE DRAWING.   |                          |   |                       |