

Shock-safe Fuseholder, Solder Terminals, 5x20 mm



250 VAC · 2.5W/6.3A

**Description**

- Fuseholder is designed and manufactured by Schurter Electronics Pvt. Ltd. in India
- Black and red caps available

Applications

- Low cost consumer electronics

References

[General Product Information](#)

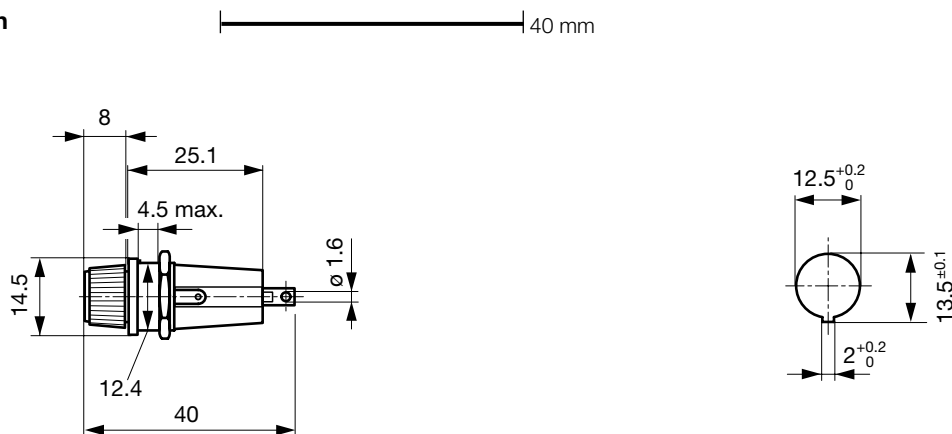
Weblinks

[Approvals, RoHS, CHINA-RoHS, e-Store, Distributor-Stock-Check, Accessories, Product Change Notification \(PCN\)](#)

Technical Data

Shocksafe Category	PC2
Fuse-Link	5 x 20mm
Mounting	Panel Mount
Mounting	Fixing Nut
Terminal	Solder
Rated Voltage	250 VAC
Rated Current	6.3A
Rated Power Acceptance IEC	2.5W / 6.3A @ Ta 23°C
Admissible Ambient Air Temp.	-40°C to 85°C
Material: Socket	Thermoplastic, UL 94V-2
Storage Conditions	0°C to 60°C, max. 70% r.h.

Soldering Methods	Iron
Solderability	350°C / 2 sec
Resistance to Soldering Heat	350°C / 2 sec

Abmessungen**Variants**

Holder	Colour Cap	Order Number
●	black	8601.2010
●	red	8601.2020

Packaging Unit

Bulk (100 pcs.)