

## IEC Appliance Inlet C14 with Line Switch 1-pole



C14  
  
 70° C

**Description**

- Panel Mount:  
Screw-on version from front or rear side, snap-in version from front side
- 2 Functions:  
Appliance Inlet Protection class I, Line Switch 1-pole
- Quick connect terminals 4.8 x 0.8 mm
- Alternative: version with line filter [KFB1](#)
- We recommend for new applications the new type [DC11](#)

**Approvals**

- VDE License Number: 40021941
- UL License Number: E96454
- CSA License Number: 38456

**Characteristics**

- All single elements are already wired  
Unwired versions available on request
- Line switch non-illuminated or illuminated

**Other versions on request**

- Unwired versions
- Line switch with other rocker marking
- For protection class II

**References**

[General Product Information](#)

**Weblinks**

[Approvals](#), [RoHS](#), [CHINA-RoHS](#), [Mating Connectors](#), [e-Store](#), [Distributor-Stock-Check](#), [Accessories](#)

**Technical Data**

|                           |   |
|---------------------------|---|
| Ratings IEC               | 10A / 250VAC; 50Hz  |
| Ratings UL/CSA            | 10A / 250VAC; 60Hz  |
| Dielectric Strength       | > 3kVAC between L-N<br>> 4kVAC between L/N-PE<br>(1 min/50Hz)               |
| Allowable Operation Temp. | -25°C to 70°C   |
| Degree of Protection      | from front side IP 40 acc. to IEC 60529                                     |
| Protection Class          | Suitable for appliances with protection class 1 acc. to IEC 61140           |
| Terminal                  | Quick connect terminals 4.8 x 0.8 mm  |
| Panel Thickness s         | Screw: max 6 mm<br>Mounting screw torque max 0.5Nm<br>Snap-in: 1.5/2/2.5 mm |
| Material: Housing         | Thermoplastic, black, UL 94V-0  |

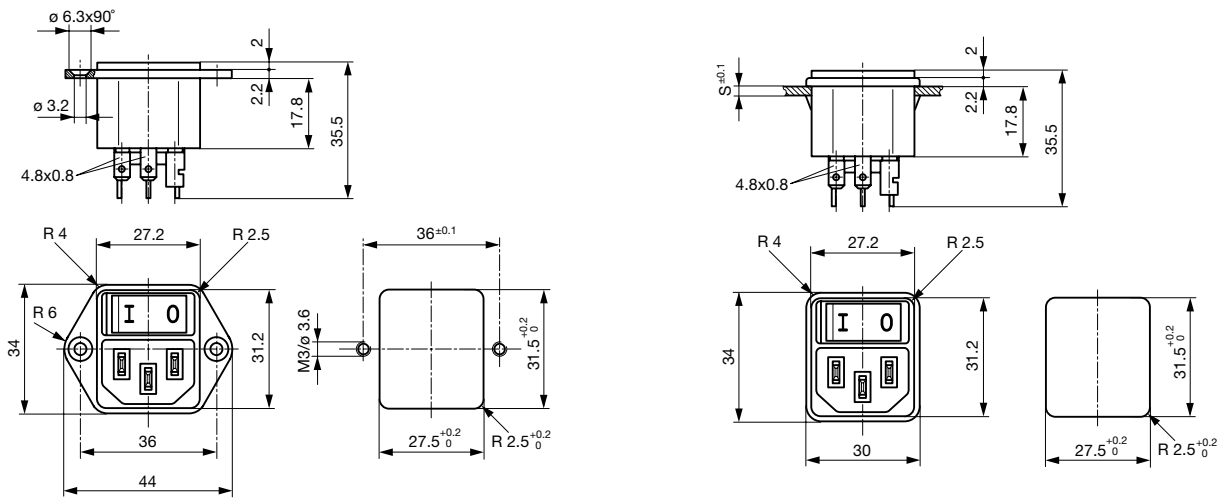
|                 |   |
|-----------------|---|
| Appliance Inlet | C14 acc. to IEC/EN 60320-1, UL 498, CSA C22.2 no. 42 (for cold conditions) pin-temperature 70 °C, 10A, Protection Class 1 |
| Line Switch     | Rocker switch 1-pole, non-illuminated or illuminated red, acc. to IEC 61058-1<br><a href="#">Technical details</a>        |

## Dimensions

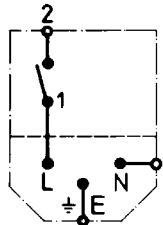
Screw on PCB mounting

44 mm

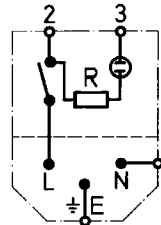
Snap-in mounting



## Diagrams



non-illuminated



illuminated

## Variants

with internal connections

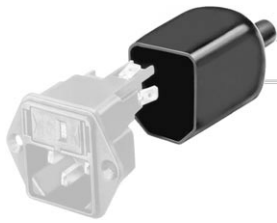
| Panel mounting | Panel Thickness s [mm] | Illumination | Color | Rated voltage 250 [V] | Rated voltage 125 [V] | Order Number |
|----------------|------------------------|--------------|-------|-----------------------|-----------------------|--------------|
| Screw          | -                      | -            | -     | -                     | -                     | 4302.0001    |
| Screw          | -                      | ●            | red   | -                     | 125                   | 4302.0121    |
| Screw          | -                      | ●            | red   | 50                    | -                     | 4302.0101    |
| Snap-in        | 1.5                    | -            | -     | -                     | -                     | 4302.0002    |
| Snap-in        | 2                      | -            | -     | -                     | -                     | 4302.0003    |
| Snap-in        | 2.5                    | -            | -     | -                     | -                     | 4302.0004    |
| Snap-in        | 1.5                    | ●            | red   | -                     | 125                   | 4302.0122    |
| Snap-in        | 1.5                    | ●            | red   | 50                    | -                     | 4302.0102    |
| Snap-in        | 2                      | ●            | red   | -                     | 125                   | 4302.0123    |
| Snap-in        | 2                      | ●            | red   | 50                    | -                     | 4302.0103    |
| Snap-in        | 2.5                    | ●            | red   | -                     | 125                   | 4302.0124    |
| Snap-in        | 2.5                    | ●            | red   | 50                    | -                     | 4302.0104    |

Packaging unit

50 Pcs

Accessories

Description



Assorted Covers  
Rear Cover

|  |           |
|--|-----------|
|  | 0859.0047 |
|  | 0859.0075 |
|  | 4311.9403 |
|  | 4311.9404 |



Cord retaining kits  
Cord retaining strain relief

|                |           |
|----------------|-----------|
| Flat head, A   | 4700.0001 |
| Countersunk, B | 4700.0002 |

Mating Outlets/Connectors

Category / Description

[Appliance Outlet Overview complete](#)



|   |      |
|---|------|
| IEC Appliance Outlet F, Screw-on Mounting, Front Side, Solder or Quick-connect Terminal           | 4787 |
| IEC Appliance Outlet F, Snap-in Mounting, Front Side, Solder or Quick-connect Terminal            | 4788 |
| IEC Appliance Outlet F or H, Screw-on Mounting, Front Side, Solder, PCB or Quick-connect Terminal | 5091 |
| IEC Appliance Outlet F or H, Screw-on Mounting, Front Side, Solder or Quick-connect Terminal      | 5092 |

[Appliance Outlet further types to KEB1](#)

[Connector Overview complete](#)



|  |        |
|--|--------|
| IEC Connector C15, Rewireable, Straight  | 0101   |
| IEC Connector C15A, Rewireable, Straight | 0102   |
| IEC Connector C15A, Rewireable, Straight | 0102-G |
| IEC Connector C15A, Rewireable, Angled   | 0112   |
| IEC Connector C13, Rewireable, Angled    | 4012   |

[Connector further types to KEB1](#)

...

[Power Cord Overview complete](#)



|   |      |
|---|------|
| Power Cord with IEC Connector C13, Angled | 0311 |
| Power Cord with IEC Connector C13, Angled | 3011 |
| Power Cord with IEC Connector C13, Angled | 3012 |
| Power Cord with IEC Connector C13, Angled | 3013 |
| Power Cord with IEC Connector C13         | 3020 |

[Power Cord further types to KEB1](#)

...