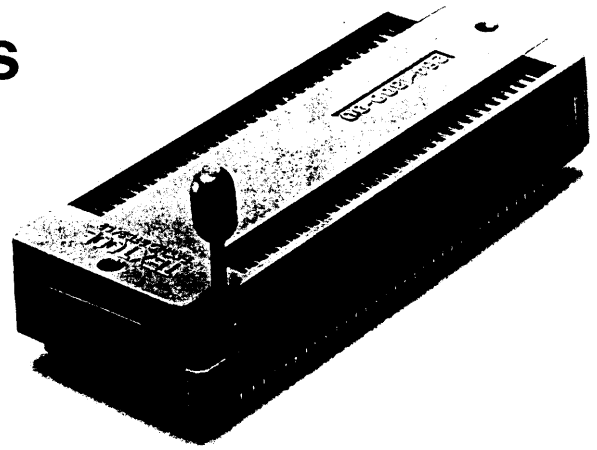


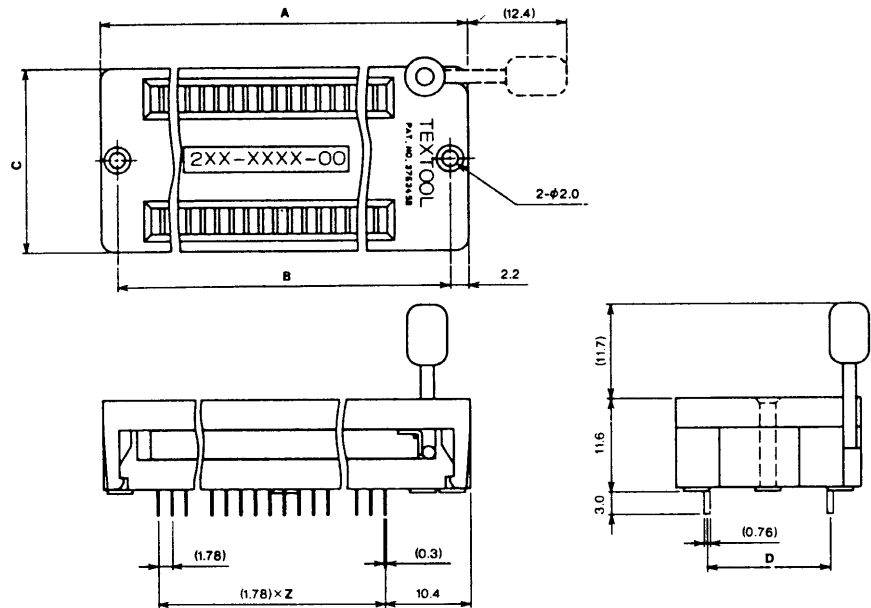
Shrink ZIP DIP II Sockets J Type

DIP



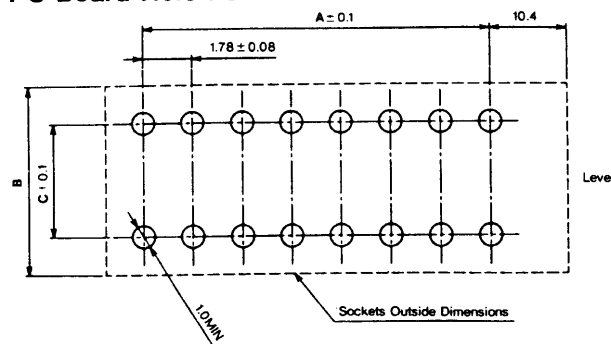
Textool Shrink ZIP DIP II Sockets/ Receptacles J Type have contacts on 1.778mm (0.70inch) centers to accept Shrink DIP ICs. This series inherits the proven zero insertion/extraction mechanism of the series of ZIP DIP II Sockets/ Receptacles.

● Sockets Dimensions



Leads	Part Number	A	B	C	D	Z
28S	228-1290-00-0602J	40.5	36.1	17.8	10.16	13
42S	242-1293-00-0602J	52.9	48.5	22.9	15.24	20
64S	264-1300-00-0602J	72.5	68.1	28.3	20.70	31
90S	290-1294-00-3302J	95.7	91.3	31.3	22.86	44

PC Board Hole Patterns For Sockets



Leads	Part Number	A	B	C
28S	228-1290-00-0602J	23.14	17.8	10.16
42S	242-1293-00-0602J	35.60	22.9	15.24
64S	264-1300-00-0602J	55.18	28.3	20.70*
90S	290-1294-00-3302J**	78.32	31.3	22.86

(Note) * C dimension of 264-1300-00-0602J is 20.70, not 19.05.
** Body color of 290-1294-00-3302J is black.

UIC: 328-6496.