

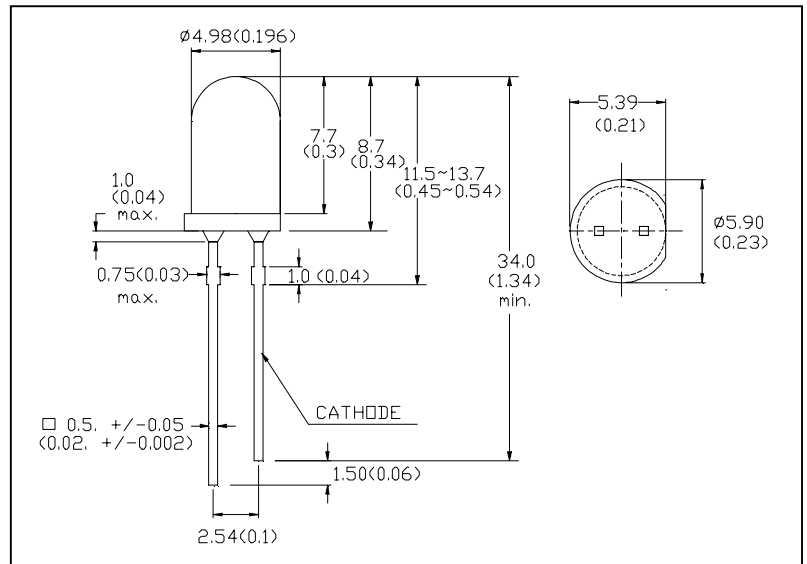
# MICRO ELECTRONICS

**MSB557TA-5**

**HIGH  
BRIGHTNESS  
BLINKING LED LAMP**

## DESCRIPTION

MSB557TA-5 is a high brightness output GaAlAs red LED lamp with a 5mm diameter clear transparent lens . The built-in IC flashes the lamp on/off and can be driven directly by standard TTL or CMOS circuits , eliminating the need for external switching circuitry.



## ABSOLUTE MAXIMUM RATINGS

Operating Temperature Range  
Storage Temperature Range  
Lead Soldering Temperature (1/16" from body)

-20 to +80°C  
-30 to +100°C  
260°C for 5 sec.

## ELECTRO-OPTICAL CHARACTERISTICS (Ta=25°C)

PARAMETER	SYMBOL	MIN	TYP	MAX	UNIT	CONDITIONS
Luminous Intensity	IV	2600	3800		mcd	Vopr=3V DC
Operating Voltage	Vopr	2.5	3.0	3.8	V	
Peak Current(1/12 duty cycle)	ICM	10	35		mA	Vopr=3V DC
Dominant Wavelength	$\lambda_p$		660		nm	Vopr=3V DC
Flashing Rate		0.6	1.0	1.8	Hz	Vopr=3V DC
Viewing Angle	2 $\theta$ 1/2		20		degree	Vopr=3V DC

## CAUTION

\*Reverse voltage will damages the LED .  
\*Static eletricity and surge damages the LED ,It is recommended to use a wrist band or anti-eletrostatic glove when handling the LED . All devices,equipment and machinery must be properly grounded.



**MICRO ELECTRONICS LTD.** 美科有限公司  
7/F, Enterprise Square Three, 39 Wang Chiu Road, Kowloon Bay, Kowloon, Hong Kong.  
TEL: (852) 23430181 FAX: (852) 23410321  
HOMEPAGE: <http://www.microelectr.com.hk>

REV :C

21/3/2005