

PLEASE CHECK WWW.MOLEX.COM FOR LATEST PART INFORMATION

Part Number: [0743232111](#)
Status: **Active**
Description: MicroCross™ DVI Analog, High Volume Plug Connector Sub-assembly, for PCB Mount, Vertical, Gold (Au) Flash, 23 Circuits, Lead Free

Documents:

[Drawing \(PDF\)](#) [RoHS Certificate of Compliance \(PDF\)](#)
[Product Specification PS-74320-001 \(PDF\)](#)

Agency Certification

CSA LR19980
 UL E29179

General

Product Family I/O Connectors
 Series [74323](#)
 Application Wire-to-Board
 Comments DDWG (Digital Display Working Group) Standard
 Component Type I/O Plug Connector Subassembly
 Product Name MicroCross™DVI
 Type N/A

Physical

Boot Color N/A
 Circuits (Loaded) 23
 Circuits (maximum) 29
 Circuits Detail Circuits 1-2,6-8,14-16,17-18,23-24; C1-C5 are loaded
 Color - Resin Black
 Durability (mating cycles max) 100
 Flammability 94V-0
 Keying to Mating Part Yes
 Lock to Mating Part Yes
 Material - Metal Copper Alloy
 Material - Plating Mating Gold
 Material - Plating Termination Tin
 Material - Resin High Temperature Thermoplastic
 Number of Rows 3
 Orientation Vertical
 PCB Retention None
 Packaging Type Tray
 Panel Mount N/A
 Pitch - Mating Interface (in) 0.075 In, 0.100 In
 Pitch - Mating Interface (mm) 1.90 mm, 2.54 mm
 Pitch - Term. Interface (in) 0.075 In, 0.100 In
 Pitch - Term. Interface (mm) 1.90 mm, 2.54 mm
 Plating min: Mating (µin) 10
 Plating min: Mating (µm) 0.25
 Plating min: Termination (µin) 150
 Plating min: Termination (µm) 3.80
 Polarized to Mating Part Yes
 Polarized to PCB Yes
 Ports 1
 Temperature Range - Operating -20°C to +85°C
 Termination Interface: Style Solder or Weld
 Waterproof / Dustproof No
 Wire Size AWG N/A

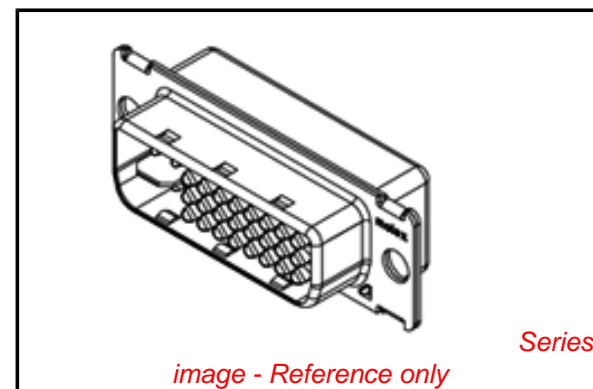


image - Reference only

EU RoHS

**ELV and RoHS
 Compliant**
REACH SVHC
 Not Reviewed
**Halogen-Free
 Status**
Not Reviewed

China RoHS



**Need more information on product
 environmental compliance?**

Email productcompliance@molex.com
 For a multiple part number RoHS Certificate of Compliance, [click here](#)

Please visit the [Contact Us](#) section for any non-product compliance questions.

Search Parts in this Series

[74323Series](#)

Mates With

Other receptacle components, [74320](#) DVI Receptacle, [67351](#) DVI Receptacle

Electrical

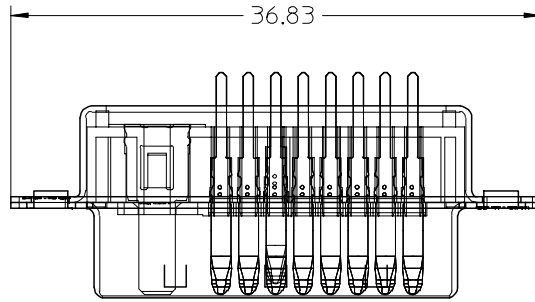
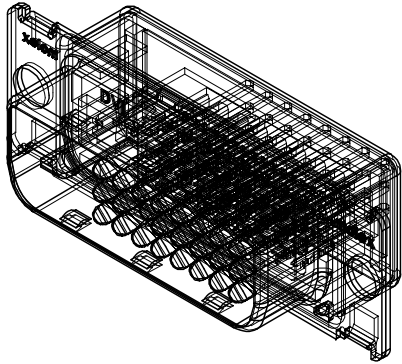
Current - Maximum per Contact	3A
Grounding to Panel	Yes
Shield Type	Full Shield
Shielded	Yes
Voltage - Maximum	40V AC (RMS)

Material Info**Reference - Drawing Numbers**

Product Specification	PS-74320-001
Sales Drawing	SD-74323-005

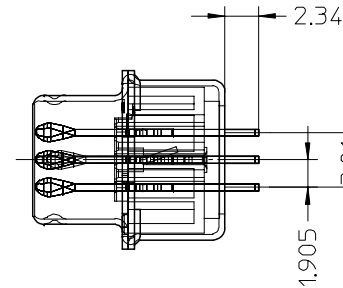
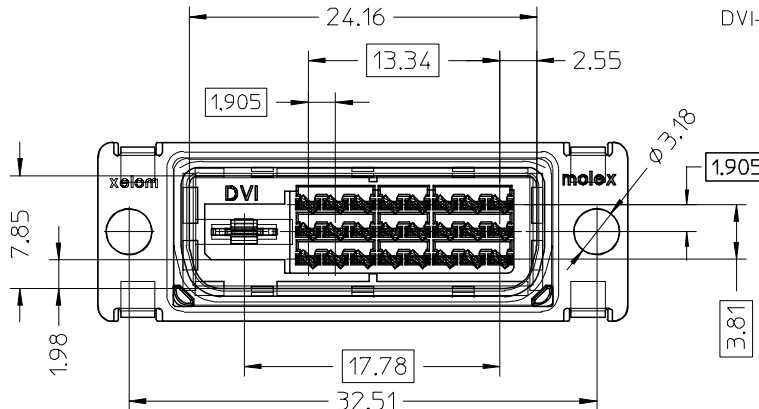
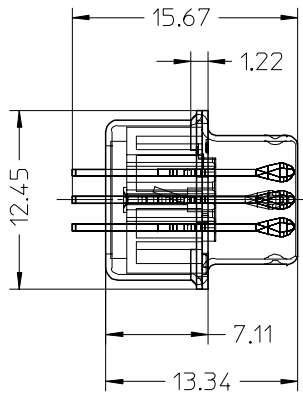
This document was generated on 04/05/2010

PLEASE CHECK WWW.MOLEX.COM FOR LATEST PART INFORMATION



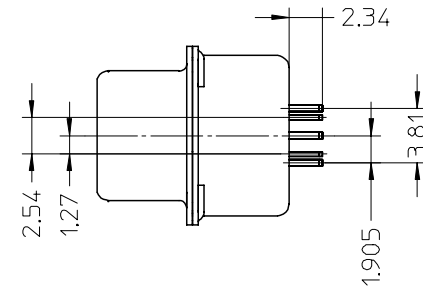
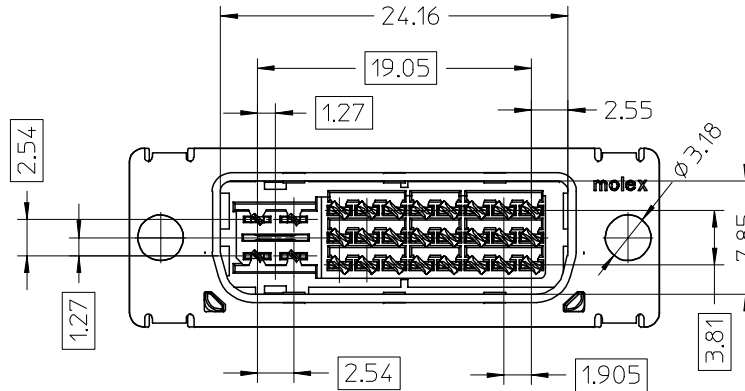
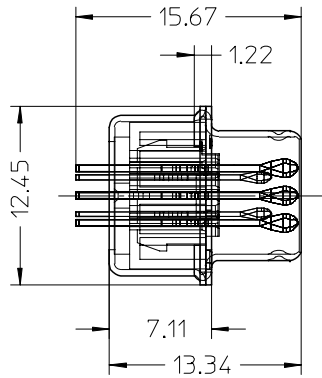
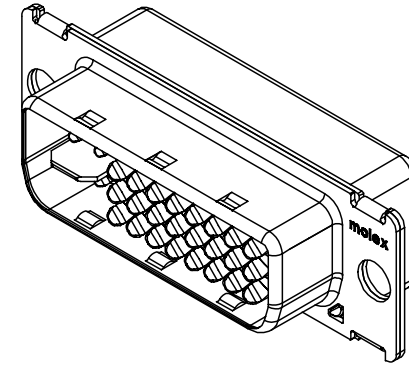
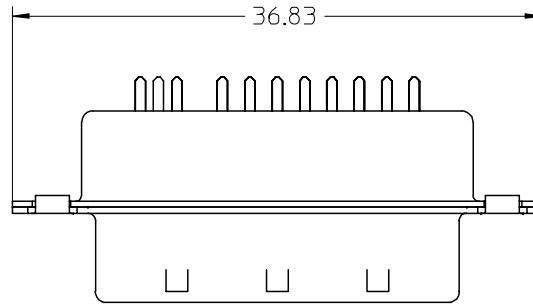
NOTES:

- 1.MATERIALS: HOUSING: HIGH TEMPERATURE PLASTIC
UL 94V-0, COLOR: BLACK
TERMINAL: COPPER ALLOY
SHIELD: STEEL ALLOY
- 2.FINISH: TERMINAL: SEE THE CHART FOR GOLD PLATING OVER 1.27 MICROMETER (50u") NICKEL IN CONTACT AREA AND 3.81 MICROMETER (150u") PURE TIN OVER 1.27 MICROMETER (50u") NICKEL AT SOLDERING AREA.
SHIELD: 3.81 MICROMETER (150u") BRIGHT TIN OVER 1.27 MICROMETER (50u") NICKEL OVERALL.
- 3.PRODUCT SPECIFICATION: PS-74320-001.
- 4.PACKAGING: PARTS ARE TO BE PACKAGED 40 PCS PER TRAY.
- 5.THE LOADED CIRCUITS SEE THE CHART.
- 6.THE DIMENSION SHOWN ON SHEET 1 REFLECT THE DVI-D SINGLE AND DUAL CHANNEL ASSEMBLY.
THE DIMENSION SHOWN ON SHEET 2 REFLECT THE DVI-A AND DVI-I ASSEMBLY. FOR ALL OTHER DIMENSIONS REFER TO SHEET 1.

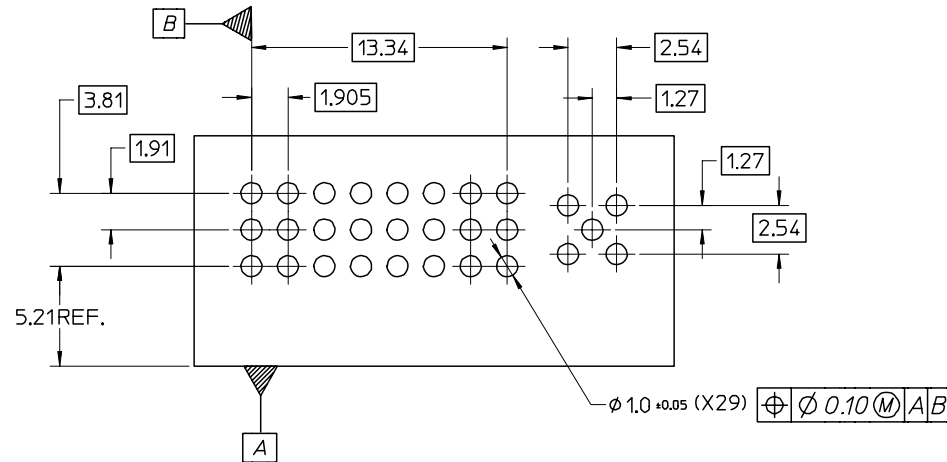


LEAD-FREE EC NO: SH2005-0067 DRWN:DXUE 2004/09/02 CHKD: 2004/09/03 APPR: YTYAP 2004/09/09	DESCRIPTION DVI	QUALITY SYMBOLS	GENERAL TOLERANCES (UNLESS SPECIFIED)		SCALE 1:1	DESIGN UNITS INCH	THIRD ANGLE PROJECTION	REVISE ON CAD ONLY		
		$\nabla = 0$ $\sphericalangle = 0$	mm	INCH	DIMENSION STYLE MM ONLY		TITLE HIGH VOLUME DVI PLUG CONNECTOR FOR PCB MOUNT			
		4 PLACES ± --- ± --- 3 PLACES ± --- ± --- 2 PLACES ± 0.25 ± --- 1 PLACE ± 0.25 ± --- ANGULAR ± .5 °	DRAFT WHERE APPLICABLE		DRAWN BY JCHIANG	DATE 00/05/12	MATERIAL NO. SEE TABLE			
		MUST REMAIN WITHIN DIMENSIONS	APPROVED BY MLIN	DATE 00/05/12	DOCUMENT NO. SD-74323-005	SHEET NO. 1 OF 3	THIS DRAWING CONTAINS INFORMATION THAT IS PROPRIETARY TO MOLEX INCORPORATED AND SHOULD NOT BE USED WITHOUT WRITTEN PERMISSION			

PART NO.	DESCRIPTION	LOAD CIRCUIT REF
74323-2101	DVI-D Au FLASH SINGLE CHANNEL	1-3,6-8,9-11,14-16,17-19,22-24 WITH KEY
74323-2102	DVI-D 30 u" Au SINGLE CHANNEL	1-3,6-8,9-11,14-16,17-19,22-24 WITH KEY
74323-2103	DVI-D Au FLASH DUAL CHANNEL	1-24, WITH KEY
74323-2104	DVI-D 30 u" Au DUAL CHANNEL	1-24, WITH KEY
74323-2111	DVI-A Au FLASH	1-2,6-8,14-16,17-18,23-24 C1-C5
74323-2112	DVI-A 30 u" Au	1-2,6-8,14-16,17-18,23-24 C1-C5
74323-2131	DVI-I Au FLASH SINGLE CHANNEL	1-3,6-8,9-11,14-16,17-19,22-24 C1-C5
74323-2132	DVI-I 30 u" Au SINGLE CHANNEL	1-3,6-8,9-11,14-16,17-19,22-24 C1-C5
74323-2133	DVI-I Au FLASH DUAL CHANNEL	1-24,C1-C5
74323-2134	DVI-I 30 u" Au DUAL CHANNEL	1-24,C1-C5



LEAD-FREE EC NO: SH2005-0067 DRWN:DXUE 2004/09/02 CHKD: 2004/09/03 APPR: YTYAP 2004/09/09	QUALITY SYMBOLS ▽ = 0 ▽ = 0	GENERAL TOLERANCES (UNLESS SPECIFIED)		SCALE 1:1	DESIGN UNITS INCH	THIRD ANGLE PROJECTION	REVISE ON CAD ONLY	
		4 PLACES ± --- ± --- 3 PLACES ± --- ± --- 2 PLACES ± 0.25 ± --- 1 PLACE ± 0.25 ± ---	DIMENSION STYLE MM ONLY	TITLE HIGH VOLUME DVI PLUG CONNECTOR FOR PCB MOUNT				
		ANGULAR ± .5 °	DRAFT WHERE APPLICABLE	DRAWN BY JCHIANG CHECKED BY MLIN	DATE 00/05/12 DATE 00/05/12	MATERIAL NO. SEE TABLE DOCUMENT NO. SD-74323-005		
		MUST REMAIN WITHIN DIMENSIONS	THIS DRAWING CONTAINS INFORMATION THAT IS PROPRIETARY TO MOLEX INCORPORATED AND SHOULD NOT BE USED WITHOUT WRITTEN PERMISSION	SHEET NO. 2 OF 3	MOLEX INCORPORATED			



RECOMMENDED PCB LAYOUT ,PCB THICKNESS :1.60 MM

LEAD-FREE EC NO: SH2005-0067 DRWN:DXUE 2004/09/02 CHKD: 2004/09/03 APPR: YTYAP 2004/09/09	DESCRIPTION REV B	QUALITY SYMBOLS	GENERAL TOLERANCES (UNLESS SPECIFIED)		SCALE 4:1	DESIGN UNITS INCH	THIRD ANGLE PROJECTION	REVISE ON CAD ONLY	
		▽ = 0 ◻ = 0	4 PLACES	mm	INCH	DIMENSION STYLE MM ONLY		TITLE HIGH VOLUME DVI PLUG CONNECTOR FOR PCB MOUNT	
			3 PLACES	± ---	± ---	DRAWN BY JCHIANG	DATE 00/05/12		
			2 PLACES	± 0.25	± ---	CHECKED BY MLIN	DATE 00/05/12	MOLEX INCORPORATED	
ANGULAR ± .5 ° DRAFT WHERE APPLICABLE MUST REMAIN WITHIN DIMENSIONS			APPROVED BY MLIN		DATE 00/05/12	MATERIAL NO. SEE TABLE	DOCUMENT NO. SD-74323-005	SHEET NO. 3 OF 3	
THIS DRAWING CONTAINS INFORMATION THAT IS PROPRIETARY TO MOLEX INCORPORATED AND SHOULD NOT BE USED WITHOUT WRITTEN PERMISSION									