

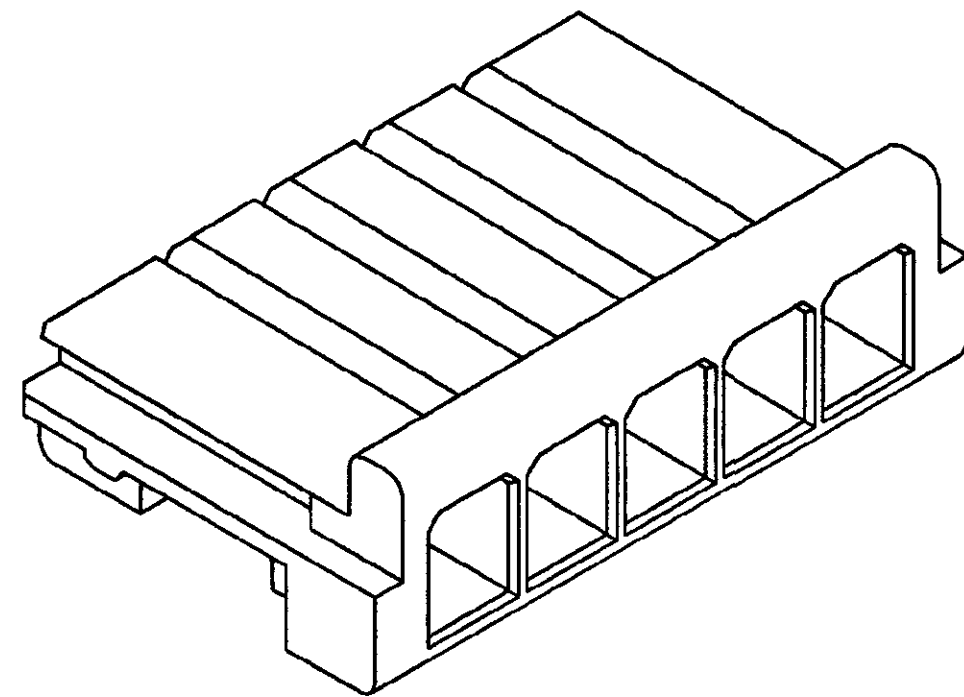
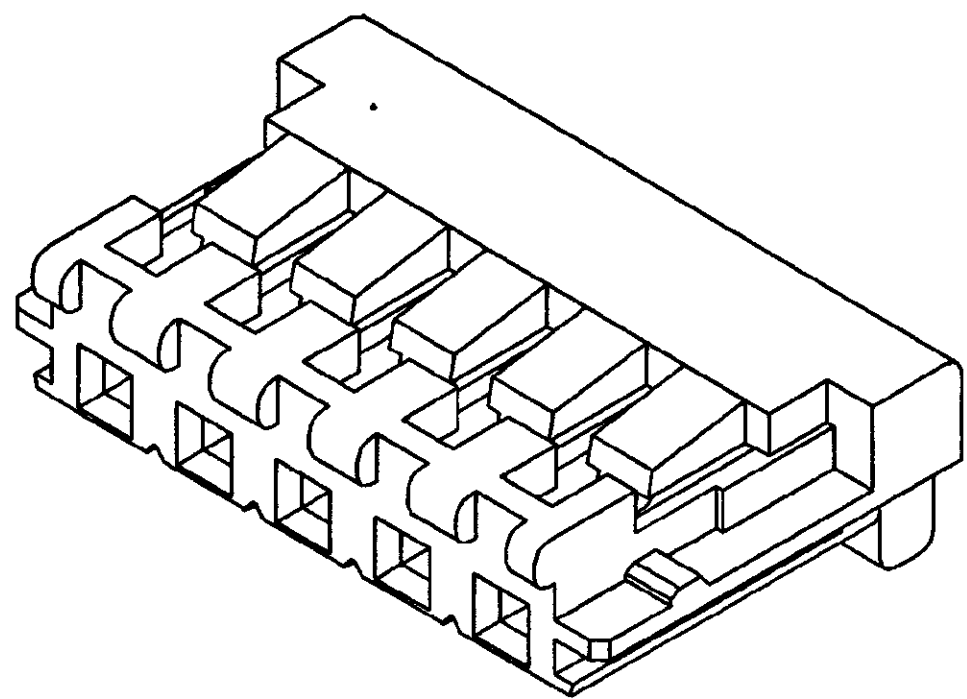
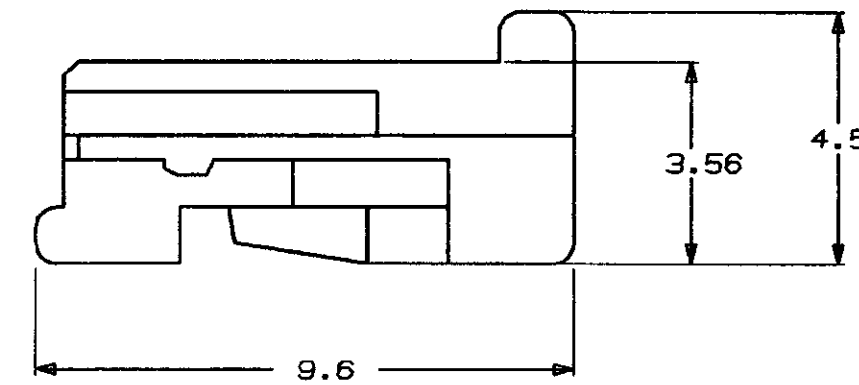
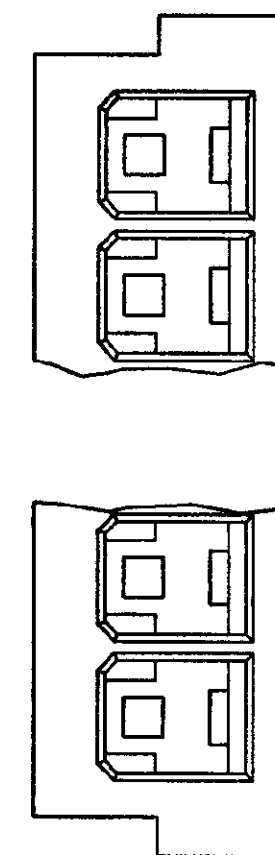
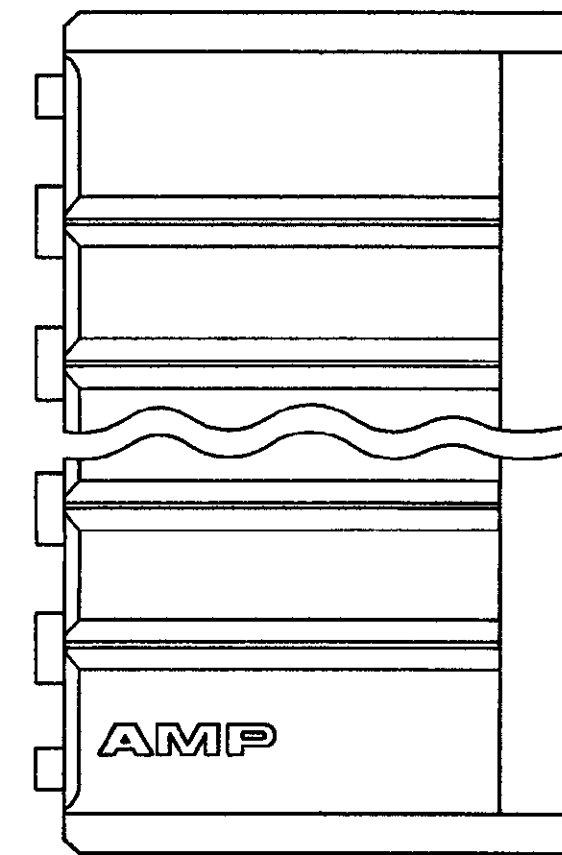
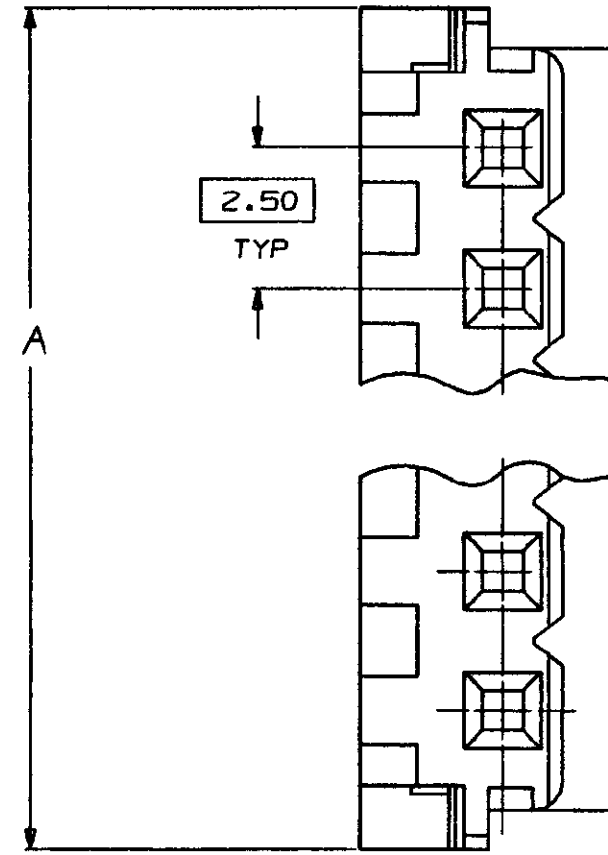
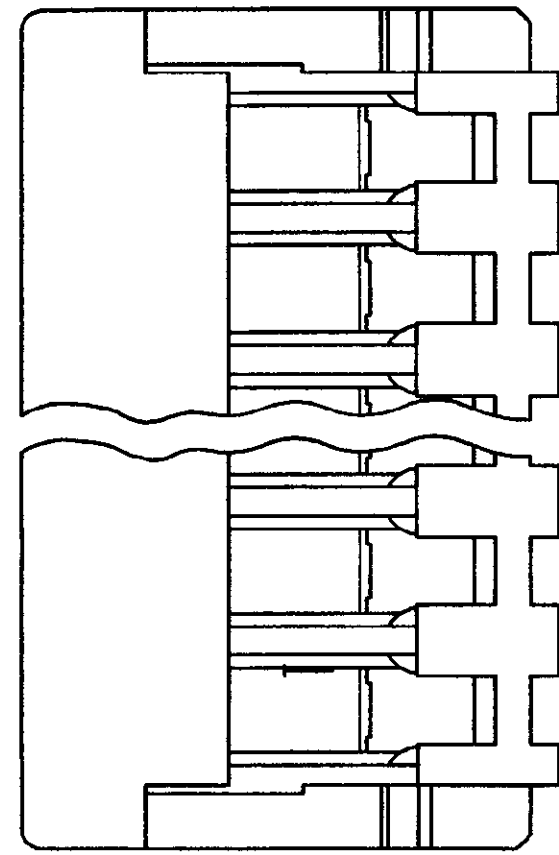
NUMBER 92009



METRIC

NOTE:

1. HOUSING WILL ACCEPT CONTACT P/N 92007-1.
2. PRODUCT SPEC: 108-51007
3. APPLICATION SPEC: 114-58000



| | | | | | | |
|------|----------------|-----------|-----------|-----------|-----------|-----------|
| 40 | 15 | 9-92009-5 | 7-92009-5 | 5-92009-5 | 3-92009-5 | 1-92009-5 |
| 37.5 | 14 | 9-92009-4 | 7-92009-4 | 5-92009-4 | 3-92009-4 | 1-92009-4 |
| 35 | 13 | 9-92009-3 | 7-92009-3 | 5-92009-3 | 3-92009-3 | 1-92009-3 |
| 32.5 | 12 | 9-92009-2 | 7-92009-2 | 5-92009-2 | 3-92009-2 | 1-92009-2 |
| 30 | 11 | 9-92009-1 | 7-92009-1 | 5-92009-1 | 3-92009-1 | 1-92009-1 |
| 27.5 | 10 | 9-92009-0 | 7-92009-0 | 5-92009-0 | 3-92009-0 | 1-92009-0 |
| 25 | 9 | 8-92009-9 | 6-92009-9 | 4-92009-9 | 2-92009-9 | 92009-9 |
| 22.5 | 8 | 8-92009-8 | 6-92009-8 | 4-92009-8 | 2-92009-8 | 92009-8 |
| 20 | 7 | 8-92009-7 | 6-92009-7 | 4-92009-7 | 2-92009-7 | 92009-7 |
| 17.5 | 6 | 8-92009-6 | 6-92009-6 | 4-92009-6 | 2-92009-6 | 92009-6 |
| 15 | 5 | 8-92009-5 | 6-92009-5 | 4-92009-5 | 2-92009-5 | 92009-5 |
| 12.5 | 4 | 8-92009-4 | 6-92009-4 | 4-92009-4 | 2-92009-4 | 92009-4 |
| 10 | 3 | 8-92009-3 | 6-92009-3 | 4-92009-3 | 2-92009-3 | 92009-3 |
| 7.5 | 2 | 8-92009-2 | 6-92009-2 | 4-92009-2 | 2-92009-2 | 92009-2 |
| A | NO OF CIRCUITS | BLUE | BLACK | RED | YELLOW | NATURAL |

PART NO

THREE DIMENSIONAL MODEL
NOT TO SCALE

| | | | | | | | |
|--------------------------------------|-----|-------------------|-----|---|------|---------------------------------------|--------------|
| Copyright © 1992 | | Copyright © 1992 | | AMP MANUFACTURING SINGAPORE PTE. LTD. | | AMP MANUFACTURING SINGAPORE PTE. LTD. | |
| (WIRE RANGE) | | (INSULATION DIA.) | | (NAME) | | | |
| REVISED FP00-0260-88 | | - | | HOUSING, CRIMP-SNAP, METRIC INTERCONNECT SYSTEM | | | |
| REVISED FP00-0073-88 | | - | | (GENERAL TOLERANCE) | | | |
| REVISED FP00-0130-85 | | - | | 2 PLG DEC ±0.13 | | SIZE | LOC |
| PRELIMINARY RELEASE TO AMP HONG KONG | | - | | 3 PLG DEC ± | | A2 | DY |
| (REVISION RECORD) | | - | | ANGLES ± | | (No.) | 92009 |
| DR | CHK | DATE | CHK | APP | DATE | SCALE | REV. C |
| | | | | | | 8:1 | SHEET 1 OF 1 |

CUSTOMER DRAWING

DIMENSIONS IN MM. DO NOT SCALE PRINT

PRINT DIST