

# Low noise, high drive, metastable immune, PLD

# ABT22V10-7

## DESCRIPTION

The ABT22V10 is a versatile PAL® device fabricated with the Philips BiCMOS process known as QUBiC. The QUBiC process produces a very high speed device (7.5ns worst case) which has excellent noise characteristics. The ground bounce, with 9 outputs switching and the 10th held low is less than 0.8V (see page 12).

The ABT22V10 is designed so the outputs can never display a metastable state due to set up and hold time violations. If set up and hold times are violated, the outputs will not glitch or display a metastable state (the propagation delays may, however, be extended).

The ABT22V10 uses the familiar AND/OR logic array structure, which allows direct implementation of sum-of-product equations. This device has a programmable AND array which drives a fixed OR array. The AND array is programmed to create custom product terms while the fixed OR array sums selected terms at the output.

The OR sum of the products feeds the "Output Macro Cell" (OMC), which can be individually configured as a dedicated input, a combinatorial output, or a registered output with internal feedback. In other words, the architecture provides maximum design flexibility by allowing the Output Macro Cell to be configured by the user.

This device is pin and JEDEC file compatible with industry standard 22V10 and can be used in all standard applications where speed is to be maximized.

## FEATURES

- Ultra fast 7.5ns  $t_{PD}$  and 6ns  $t_{CO}$
- High output drive; 48mA =  $I_{OL}$  (complete specification, page 3)
- Metastable immune flip-flops,  $\tau = 83pS$  (complete specification, page 9)
- Low ground bounce (<0.8V)
- Varied product term distribution with up to 16 product terms per output for complex functions
- Programmable output polarity
- Power-up reset on all registers
- Synchronous Preset/Asynchronous Reset
- Programmable on standard PAL-type device programmers
- Design support provided using SNAP software development package and other CAD tools for PLDs

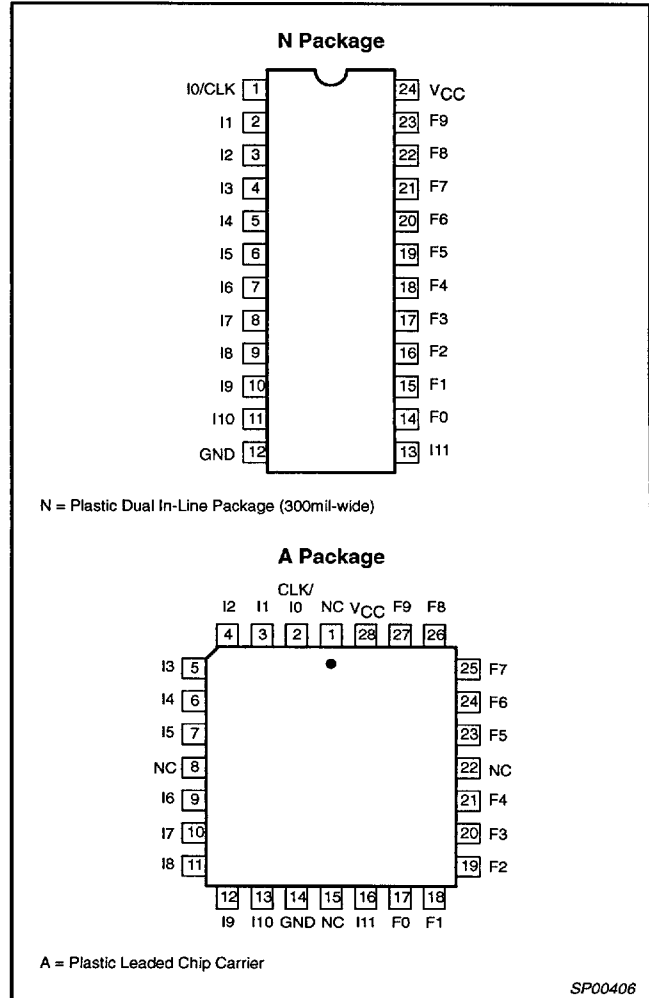
## APPLICATIONS

- DMA control
- State machine implementation
- High speed graphics processing
- Counters/shift registers
- SSI/MSI random logic replacement
- High speed memory decoder

## ORDERING INFORMATION

DESCRIPTION	ORDER CODE	DRAWING NUMBER
24-Pin Plastic Dual-In-Line Package 300mil-wide	ABT22V10-7N	SOT222-1
28-Pin Plastic Leaded Chip Carrier	ABT22V10-7A	SOT261-3

## PIN CONFIGURATIONS



## PIN LABEL DESCRIPTIONS

I1 – I11	Dedicated Input
NC	Not Connected
F0 – F9	Macro Cell Input/Output
CLK/I0	Clock Input/Dedicated Input
VCC	Supply Voltage
GND	Ground

®PAL is a registered trademark of Advanced Micro Devices, Inc.

Low noise, high drive, metastable immune, PLD

ABT22V10-7

**ABSOLUTE MAXIMUM RATINGS<sup>1</sup>**

SYMBOL	PARAMETER	RATINGS		UNIT
		MIN	MAX	
V <sub>CC</sub>	Supply voltage	-0.5	+7.0	V <sub>DC</sub>
V <sub>IN</sub>	Input voltage	-1.2	V <sub>CC</sub> + 0.5	V <sub>DC</sub>
V <sub>OUT</sub>	Output voltage	-0.5	V <sub>CC</sub> + 0.5	V <sub>DC</sub>
I <sub>IN</sub>	Input currents	-30	+30	mA
I <sub>OUT</sub>	Output currents		+100	mA
T <sub>stg</sub>	Storage temperature range	-65	+150	°C

**NOTE:**

1. Stresses above those listed may cause malfunction or permanent damage to the device. This is a stress rating only. Functional operation at these or any other condition above those indicated in the operational and programming specification of the device is not implied.

**THERMAL RATINGS**

TEMPERATURE	
Maximum junction	150°C
Maximum ambient	75°C
Allowable thermal rise ambient to junction	75°C

**OPERATING RANGES**

SYMBOL	PARAMETER	RATINGS		UNIT
		MIN	MAX	
V <sub>CC</sub>	Supply voltage	+4.75	+5.25	V <sub>DC</sub>
T <sub>amb</sub>	Operating free-air temperature	0	+75	°C

**DC ELECTRICAL CHARACTERISTICS (OVER OPERATING RANGES)**

SYMBOL	PARAMETER	TEST CONDITIONS <sup>1</sup>	LIMITS		UNIT
			MIN	MAX	
<b>Input voltage</b>					
V <sub>IL</sub>	Low	V <sub>CC</sub> = MIN		0.8	V
V <sub>IH</sub>	High	V <sub>CC</sub> = MAX	2.0		V
V <sub>I</sub>	Clamp	V <sub>CC</sub> = MIN, I <sub>IN</sub> = -18mA		-1.2	V
<b>Output voltage</b>					
V <sub>OL</sub>	Low	V <sub>CC</sub> = MIN, V <sub>IN</sub> = V <sub>IH</sub> or V <sub>IL</sub> I <sub>OL</sub> = 48mA		0.5	V
V <sub>OH</sub>	High	I <sub>OH</sub> = -16 mA	2.4		V
<b>Input current</b>					
I <sub>IL</sub>	Low	V <sub>CC</sub> = MAX, V <sub>IN</sub> = 0.40V		-10	µA
I <sub>IH</sub>	High	V <sub>CC</sub> = MAX, V <sub>IN</sub> = 2.7V		10	µA
<b>Output current</b>					
I <sub>OL</sub>	Low	V <sub>CC</sub> = MIN, V <sub>IN</sub> or V <sub>IL</sub> V <sub>OL</sub> = .5 (MAX)		48	mA
I <sub>OH</sub>	High	V <sub>OH</sub> = 2.4 (MIN)		-16	mA
I <sub>OZH</sub>	Output leakage <sup>2</sup>	V <sub>CC</sub> = MAX V <sub>IN</sub> = V <sub>IL</sub> or V <sub>IH</sub> , V <sub>OUT</sub> = 2.7V		100	µA
I <sub>OZL</sub>	Output leakage <sup>2</sup>	V <sub>IN</sub> = V <sub>IL</sub> or V <sub>IH</sub> , V <sub>OUT</sub> = 0.4V		-100	µA
I <sub>SC</sub>	Short circuit <sup>3</sup>	V <sub>OUT</sub> = 0.5 V	-30	-190	mA
I <sub>CC</sub>	V <sub>CC</sub> supply current	V <sub>CC</sub> = MAX		185	mA

**NOTES:**

- These are absolute values with respect to device ground and all overshoots due to system or tester noise are included.
- I/O pin leakage is the worst case of I<sub>OZX</sub> or I<sub>IY</sub> (where X = H or L).
- No more than one output should be tested at a time. Duration of the short-circuit test should not exceed one second. V<sub>OUT</sub> = 0.5V has been chosen to avoid test problems caused by tester ground degradation.

# Low noise, high drive, metastable immune, PLD

# ABT22V10-7

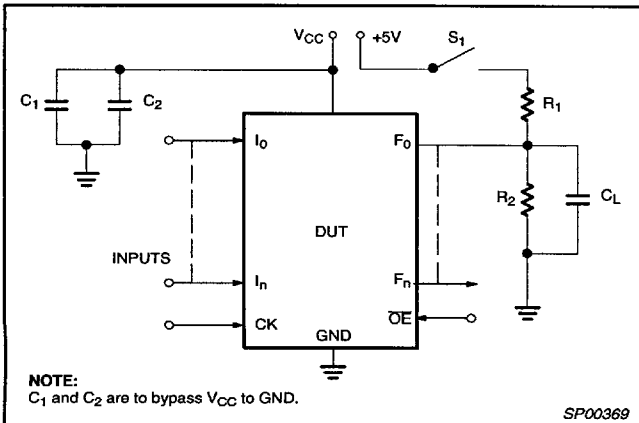
## AC ELECTRICAL CHARACTERISTICS

SYMBOL	PARAMETER	TEST CONDITIONS	LIMITS <sup>1</sup>			UNIT
			MIN	TYP	MAX	
t <sub>PD</sub>	Input or feedback to non-registered output <sup>2, 4</sup>	Active-LOW	3.5		7.5	ns
		Active-HIGH	3.5		7.5	
t <sub>S</sub>	Setup time from input, feedback or SP to Clock		5.5			ns
t <sub>H</sub>	Hold time		0			ns
t <sub>CO</sub>	Clock to output <sup>4, 7</sup>		3.0		6.0/6.5	ns
t <sub>CF</sub>	Clock to feedback <sup>3</sup>				2.5	ns
t <sub>AR</sub>	Asynchronous Reset to registered output				10.0	ns
t <sub>ARW</sub>	Asynchronous Reset width		7.5			ns
t <sub>ARR</sub>	Asynchronous Reset recovery time		5.5			ns
t <sub>SPR</sub>	Synchronous Preset recovery time		5.0			ns
t <sub>WL</sub>	Width of Clock LOW		3.0			ns
t <sub>WH</sub>	Width of Clock HIGH		3.0			ns
f <sub>MAX</sub>	Maximum frequency; External feedback 1/(t <sub>S</sub> + t <sub>CO</sub> ) <sup>4,7</sup>		87/83			MHz
	Maximum frequency; Internal feedback 1/(t <sub>S</sub> + t <sub>CF</sub> ) <sup>4</sup>		125			MHz
t <sub>EA</sub>	Input to Output Enable <sup>5</sup>				7.5	ns
t <sub>ER</sub>	Input to Output Disable <sup>5</sup>				7.5	ns
<b>Capacitance<sup>6</sup></b>						
C <sub>IN</sub>	Input Capacitance (Pin 1)	V <sub>IN</sub> = 2.0V	V <sub>CC</sub> = 5.0V T <sub>amb</sub> = 25°C		6	pF
	Input Capacitance (Others)	V <sub>IN</sub> = 2.0V			6	pF
C <sub>OUT</sub>	Output Capacitance	V <sub>OUT</sub> = 2.0V	f = 1MHz		8	pF

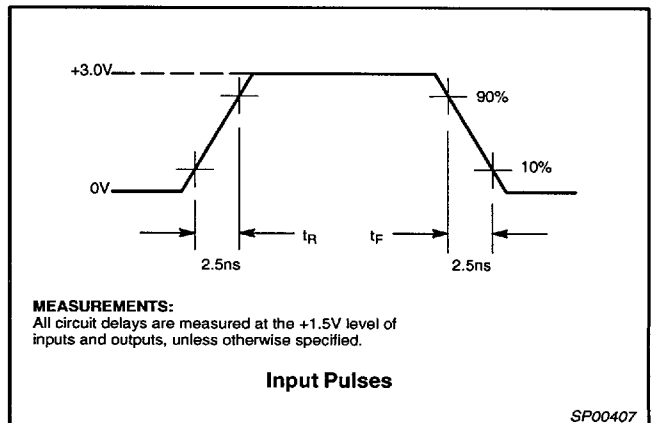
**NOTES:**

- Commercial Test Conditions: R<sub>1</sub> = 300Ω, R<sub>2</sub> = 390Ω (see Test Load Circuit).
- t<sub>PD</sub> is tested with switch S<sub>1</sub> closed and C<sub>L</sub> = 50pF (including jig capacitance). V<sub>IH</sub> = 3V, V<sub>IL</sub> = 0V, V<sub>T</sub> = 1.5V.
- Calculated from measured f<sub>MAX</sub> internal.
- These parameters are not 100% tested, but are calculated at initial characterization and at any time the design is modified where frequency may be affected.
- For 3-State output; output enable times are tested with C<sub>L</sub> = 50pF to the 1.5V level, and S<sub>1</sub> is open for high-impedance to High tests and closed for high-impedance to Low tests. Output disable times are tested with C<sub>L</sub> = 5pF. High-to-High impedance tests are made to an output voltage of V<sub>T</sub> = (V<sub>OH</sub> - 0.5V) with S<sub>1</sub> open, and Low-to-High impedance tests are made to the V<sub>T</sub> = (V<sub>OL</sub> + 0.5V) level with S<sub>1</sub> closed.
- These parameters are not 100% tested, but are evaluated at initial characterization and at any time the design is modified where capacitance may be affected.
- For PLCC package, t<sub>CO</sub> = 6.0ns; for DIP package, t<sub>CO</sub> = 6.5ns

### TEST LOAD CIRCUIT



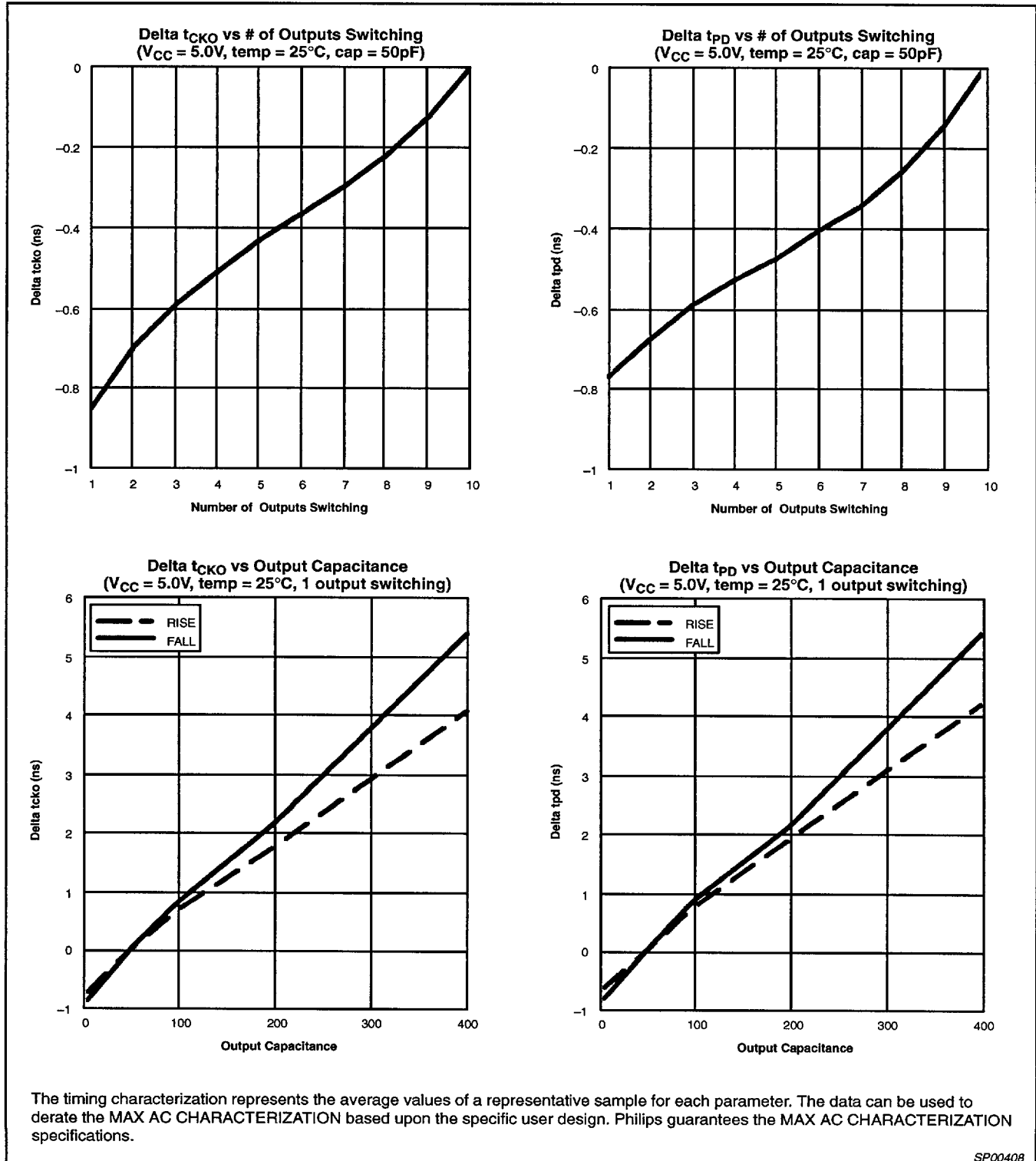
### VOLTAGE WAVEFORM



# Low noise, high drive, metastable immune, PLD

# ABT22V10-7

## TIMING CHARACTERIZATION



The timing characterization represents the average values of a representative sample for each parameter. The data can be used to derate the MAX AC CHARACTERIZATION based upon the specific user design. Philips guarantees the MAX AC CHARACTERIZATION specifications.

SP00408

Figure 1. Device Characterization

Low noise, high drive, metastable immune, PLD

ABT22V10-7

TIMING CHARACTERIZATION

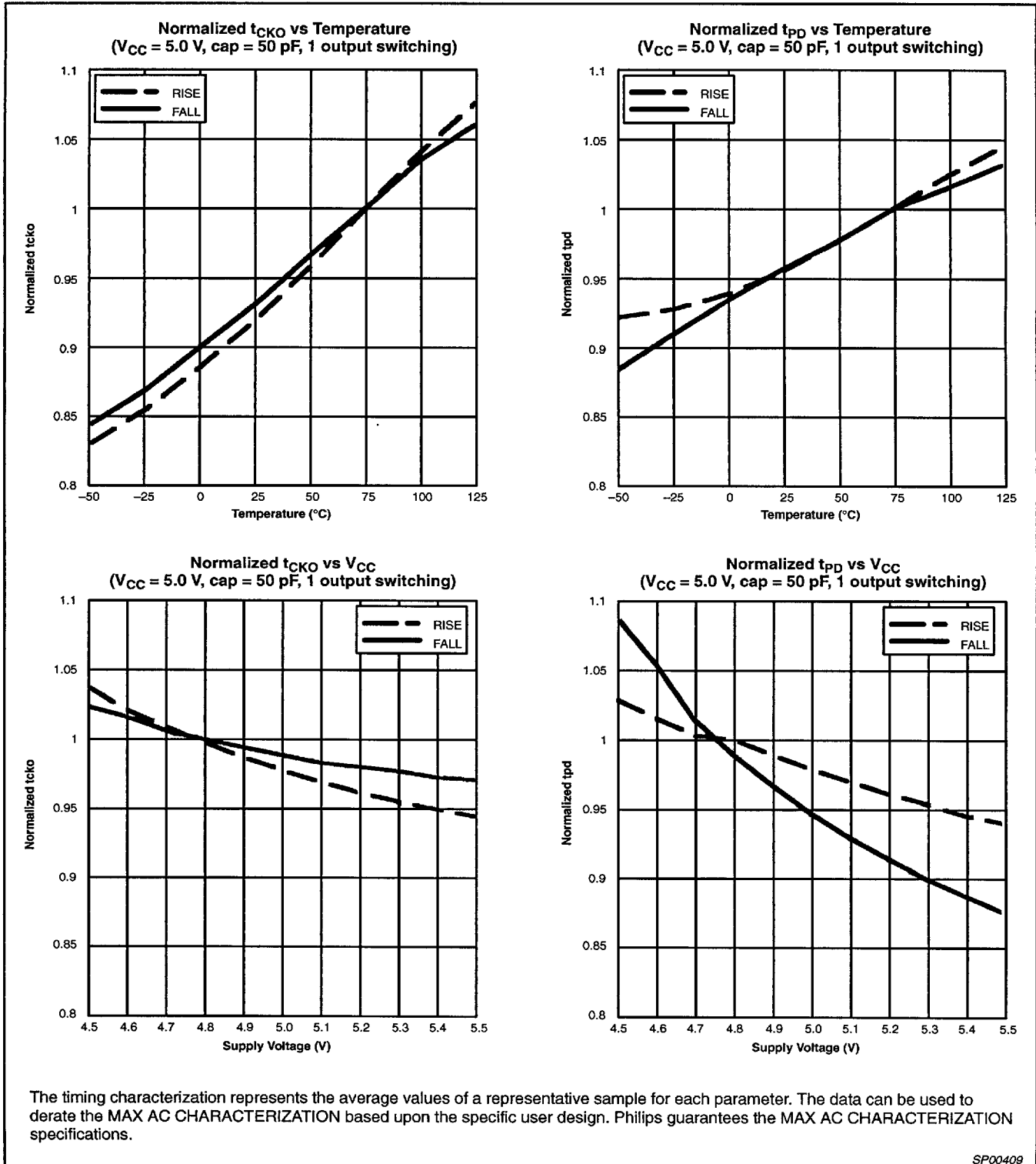


Figure 1. Device Characterization (continued)

# Low noise, high drive, metastable immune, PLD

# ABT22V10-7

## PRODUCT FEATURES

### Metastable Immune Flip-flops

The D-type flip-flops have been designed such that the outputs will not glitch or display an output anomaly if the input set up or hold times are violated. Based on a  $\tau$  of 83pS, and sampling the output 8ns after the clock edge, the typical MTBF is 104 years. If the sample is taken 8.5ns after the clock, the MTBF is 43,095 years. (See page 11.)

### Low Ground Bounce

The Philips Semiconductors BiCMOS QUBiC process produces exceptional noise immunity. The typical ground bounce, with 9 outputs simultaneously switching and the 10th output held low, is less than 0.8V. (See page 12.)

### Programmable 3-stage Outputs

Each output has a 3-Stage output buffer with 3-State control. A product term controls the buffer, allowing enable and disable to be a function of any product of device inputs or output feedback. The combinatorial output provides a bidirectional I/O pin, and may be configured as a dedicated input if the buffer is always disabled.

### Programmable Output Parity

The polarity of each macro cell output can be Active-HIGH or Active-LOW, either to match output signal needs or to reduce product terms. Programmable polarity allows Boolean expressions to be written in their most compact form (true or inverted), and the output can still be of the desired polarity. It can also save "DeMorganizing" efforts.

Selection is controlled by programmable bit  $S_0$  in the Output Macro Cell, and affects both registered and combinatorial outputs. Selection is automatic, based on the design specification and pin definitions. If the pin definition and output equation have the same polarity, the output is programmed to be Active-HIGH ( $S_0 = 1$ ). (See page 15.)

### Preset/Reset

For initialization, the ABT22V10 has additional Preset and Reset product terms. These terms are connected to all registered outputs. When the Synchronous Preset (SP) product term is asserted high, the output registers will be loaded with a HIGH on the next LOW-to-HIGH clock transition. When the Asynchronous Reset (AR) product term is asserted high, the output registers will be immediately loaded with a LOW, independent of the clock.

Note that Preset and Reset control the flip-flop, not the output pin. The output level is determined by the output polarity selected. (See page 16.)

### Power-Up Reset

All flip-flops power-up to a logic LOW for predictable system initialization. Outputs of the ABT22V10 will depend on the programmed output polarity. The  $V_{CC}$  rise must be monotonic and the reset delay time is 1–10 $\mu$ s maximum. (See page 18.)

### Security Fuse

After programming and verification, a ABT22V10 design can be secured by programming the security fuse link. Once programmed,

this fuse defeats readback of the internal programmed pattern by a device programmer, securing proprietary designs from competitors. When the security fuse is programmed, the array will read as if every fuse is programmed.

### Quality and Testability

The ABT22V10 offers a very high level of built-in quality. Extra programmable fuses provide a means of verifying performance of all AC and DC parameters. In addition, this verifies programmability and functionality of the device to provide the highest programming and post-programming functional yields.

### Technology

The BiCMOS ABT22V10 is fabricated with the Philips Semiconductors process known as QUBiC. QUBiC combines an advanced, state-of-the-art 1.0 $\mu$ m (drawn feature size) CMOS process with an ultra fast bipolar process to achieve superior speed and drive capabilities. QUBiC incorporates three layers of Al/Cu interconnects for reduced chip size, and our proven Ti-W fuse technology ensures highest programming yields.

### Programming

The ABT22V10-7 is fully supported by industry standard (JEDEC compatible) PLD CAD tools, including Philips Semiconductors SNAP design software package. ABEL™ CUPL™ and PALASM® 90 design software packages also support the ABT22V10-7 architecture.

All packages allow Boolean and state equation entry formats, SNAP, ABEL and CUPL also accept, as input, schematic capture format.

## PROGRAMMING/SOFTWARE SUPPORT

Refer to Section 9 (*Development Software*) and Section 10 (*Support material*) of the 1994 PLD data handbook for additional information.

## OUTPUT REGISTER PRELOAD

The register on the ABT22V10 can be preloaded from the output pins to facilitate functional testing of complex state machine designs. This feature allows direct loading of arbitrary states, making it unnecessary to cycle through long test vector sequences to reach a desired state. In addition, transitions from illegal states can be verified by loading illegal states and observing proper recovery. The procedure for preloading follows:

1. Raise  $V_{CC}$  to 5.0V  $\pm$  0.25V.
2. Set pin 2 or 3 to  $V_{HH}$  to disable outputs and enable preload.
3. Apply the desired value ( $V_{ILP}/V_{IHP}$ ) to all registered output pins. Leave combinatorial output pins floating.
4. Clock Pin 1 from  $V_{ILP}$  to  $V_{IHP}$ .
5. Remove  $V_{ILP}/V_{IHP}$  from all registered output pins.
6. Lower pin 2 or 3 to  $V_{ILP}$ .
7. Enable the output registers according to the programmed pattern.
8. Verify  $V_{OL}/V_{OH}$  at all registered output pins. Note that the output pin signal will depend on the output polarity.

ABEL is a trademark of Data I/O Corp.  
CUPL is a trademark of Logical Devices, Inc.  
PALASM is a registered trademark of AMD Corp.

# Low noise, high drive, metastable immune, PLD

# ABT22V10-7

### PHILIPS ABT FEATURES

The ABT22V10-7 is the first in a complete family of 22V10s targeted to meet the high performance needs of the design community. In addition to the high speed characteristics of the devices, Philips has designed the devices with advanced features to ensure high system reliability.

The ABT22V10-7 is the only programmable device that guarantees metastable immunity while providing high drive and low noise.

The ABT22V10A55 and ABT22V10A7 offer high performance with live insertion capability, as well as high drive and low noise. Live insertion refers to the ability of the outputs to remain 3-States during power supply ramp. This is a key feature for many telecom applications, where boards are inserted into powered-up systems. System integrity is maintained as the device powers up in a well-defined manner.

	ABT22V10-7	ABT22V10A5	ABT22V10A7
Live Insertion	NO	YES	YES
Dual Verify	NO	YES	YES
Metastability	Immune	NO	NO
Source Drive Capability	16mA (V <sub>OH</sub> = 2.4V)	16mA (V <sub>OH</sub> = 2.4V)	16mA (V <sub>OH</sub> = 2.4V)
Sink Drive Capability	48mA (V <sub>OL</sub> = 0.5V)	48mA (V <sub>OL</sub> = 0.5V)	48mA (V <sub>OL</sub> = 0.5V)
Low Ground Bounce	YES	YES	YES
Package Availability:			
Plastic Dual In-line (N)	24-Pin	not available	not available
Plastic Leaded Chip Carrier (A)	28-Pin	28-Pin	28-Pin
Pinout	Standard	Evolutionary	Evolutionary

# Low noise, high drive, metastable immune, PLD

# ABT22V10-7

### Metastable Immune Characteristics

What is metastable immunity?

Philips Semiconductors uses the term 'metastable immune' to describe a combination of two characteristic features. The first is a patented Philips circuit that prevents the outputs from glitching, oscillating, or remaining in the linear region under any circumstances, including setup and hold time violations. The second is the flip-flop's inherent ability of resolving the metastable condition.

For example, using a non-metastable immune device, a typical metastable condition could result by running two independent signal generators (see Figure 2) at nearly the same frequency (in this case 10MHz clock and 10.02MHz data). This device-under-test can often be driven into a metastable state. If the Q outut is used to trigger a digital scope set to infinite persistence, the Q output will build a waveform.

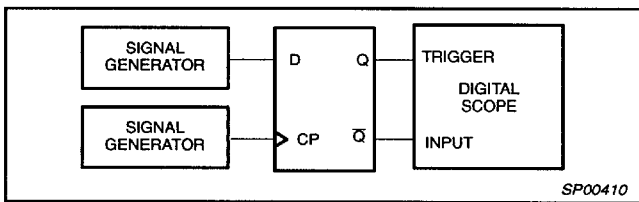


Figure 2. Test Set-up

Figure 3 shows that for a non-metastable immune device, the Q̄ output can vary in time with respect to the Q trigger point. This also implies that the Q or Q̄ output waveshapes may be distorted. This can be verified on an analog scope with a charge plate CRT. Of even greater interest are the dots running along the 3.5V volt line in the upper right-hand quadrant. These show that the Q̄ output did not change state even though the Q output glitched to at least 1.5 volts, the trigger point of the scope.

When the device-under-test is a metastable immune part, the waveform will appear as in Figure 4. The output will not vary with respect to the Q trigger point even when the part is driven into a metastable state. Any tendency towards internal metastability is resolved by Philips Semiconductors patented circuitry. If a metastable event occurs within the flip-flop, the only outward manifestation of the event will be an increased clock-to-Q delay. This delay is a function of the metastability characteristics of the device, defined by  $\tau$  and  $T_0$  as described in the Design Example that follows. Since the outputs never glitch, oscillate, or remain in the linear region, the only metastable failure that can propagate further into the system is when the next flip-flop in the system samples the ABT22V10-7's output at precisely the same time it is making a logic transition. By allowing sufficient time for any increased clock-to-Q delay, propagation of metastable failures can be avoided. The following design example illustrates this concept.



COMPARISON OF METASTABLE IMMUNE AND NON-IMMUNE CHARACTERISTICS

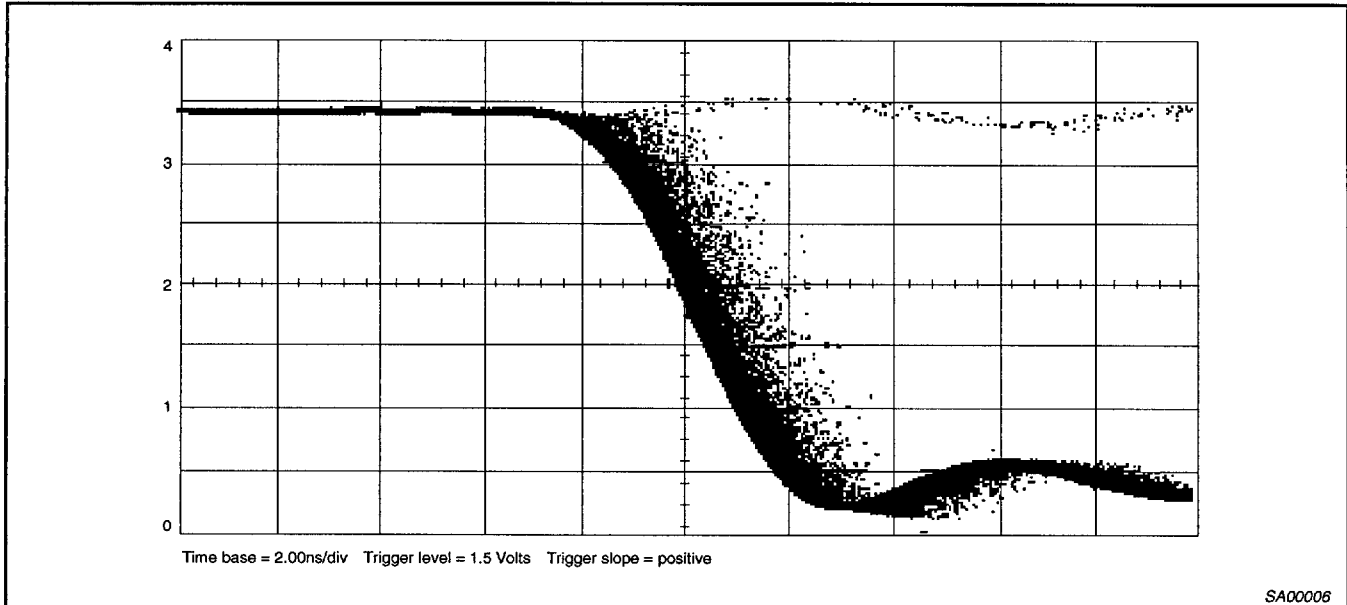


Figure 3. Non-immune  $\bar{Q}$  output triggered by Q output, Setup and Hold times violated

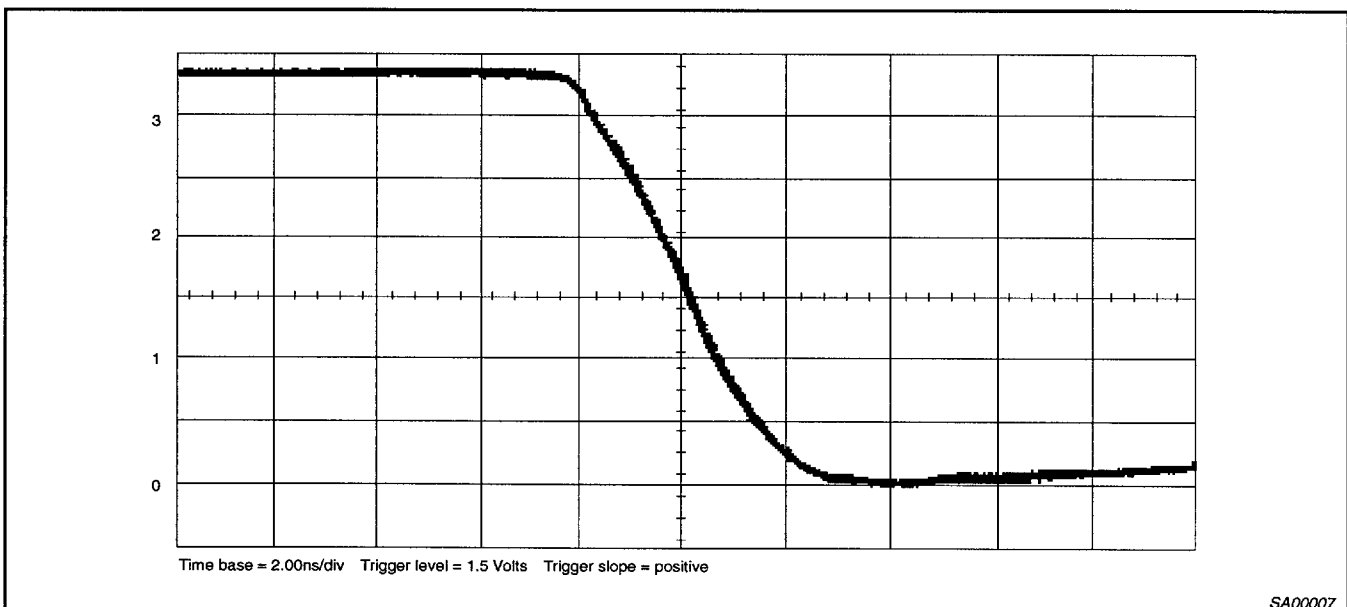


Figure 4. Metastable Immune  $\bar{Q}$  output triggered by Q output, Setup and Hold times violated

Low noise, high drive, metastable immune, PLD

ABT22V10-7

**Design Example**

Suppose a designer wants to use the ABT22V10-7 for synchronizing asynchronous data that is arriving at 10MHz (as measured by a frequency counter), in a 5V system that has a clock frequency of 50MHz, at an ambient temperature of 25°C. She has decided that she would like to sample the output of the ABT22V10 8.5ns after the clock edge to ensure that any clock-to-Q delays that were the result of the ABT22V10 internal metastability resolution circuitry have completed and the outputs have transitioned. The MTBF for this situation can be calculated by using the equation below:

$$MTBF = \frac{e\left(\frac{t'}{\tau}\right)}{T_0 F_C F_I}$$

In this formula,  $F_C$  is the frequency of the clock,  $F_I$  is the average input event frequency, and  $t'$  is the time after the clock pulse that the

output is sampled ( $t' > T_{CO}$ ).  $T_0$  and  $\tau$  are derived from tests and can most nearly be defined as follows:

$\tau$  is a function of the rate at which a latch in a metastable state resolves that condition.

$T_0$  is a function of the measurement of the propensity of a latch to enter a metastable state.  $T_0$  is also a normalization constant which is a very strong function of the normal propagation delay of the device.

In this situation, the  $F_I$  will be twice the data frequency, or 20MHz, because input events consist of both low and high transitions. Thus, in this case,  $F_C$  is 50MHz,  $F_I$  is 20MHz,  $\tau$  is 83ps,  $t'$  is 8.5ns, and  $T_0$  is  $2.2 \times 10^{17}$  seconds. Using the above formula, the actual MTBF for this situation is  $1.36 \times 10^{12}$  seconds, or 43,095 years for the ABT22V10-7.

**ABT22V10-7 VALUES FOR  $\tau$  AND  $T_0$**

V <sub>CC</sub>	T <sub>amb</sub> = 0°C		T <sub>amb</sub> = 25°C		T <sub>amb</sub> = 70°C	
	$\tau$	T <sub>0</sub>	$\tau$	T <sub>0</sub>	$\tau$	T <sub>0</sub>
5.5V	83ps	$8.1 \times 10^{18}$ sec	82ps	$7.5 \times 10^{18}$ sec	101ps	$3.0 \times 10^{12}$ sec
5.0V	80ps	$4.0 \times 10^{18}$ sec	83ps	$2.2 \times 10^{17}$ sec	98ps	$4.4 \times 10^{11}$ sec
4.5V	85ps	$3.4 \times 10^{14}$ sec	91ps	$2.5 \times 10^{12}$ sec	106ps	$1.1 \times 10^8$ sec

**Summary**

The Philips ABT22V10-7 has on-chip circuitry that completely eliminates any output glitches, oscillations, or other output anomalies associated with metastable conditions. For outputs that are then used to generate clocks, control signals or other asynchronous data, this represents an unparalleled level of reliability in a PLD. In addition, a complete set of metastability data is provided, which allows designers the ability to design extremely robust systems where data is synchronously pipelined.

# Low noise, high drive, metastable immune, PLD

# ABT22V10-7

## LOW NOISE

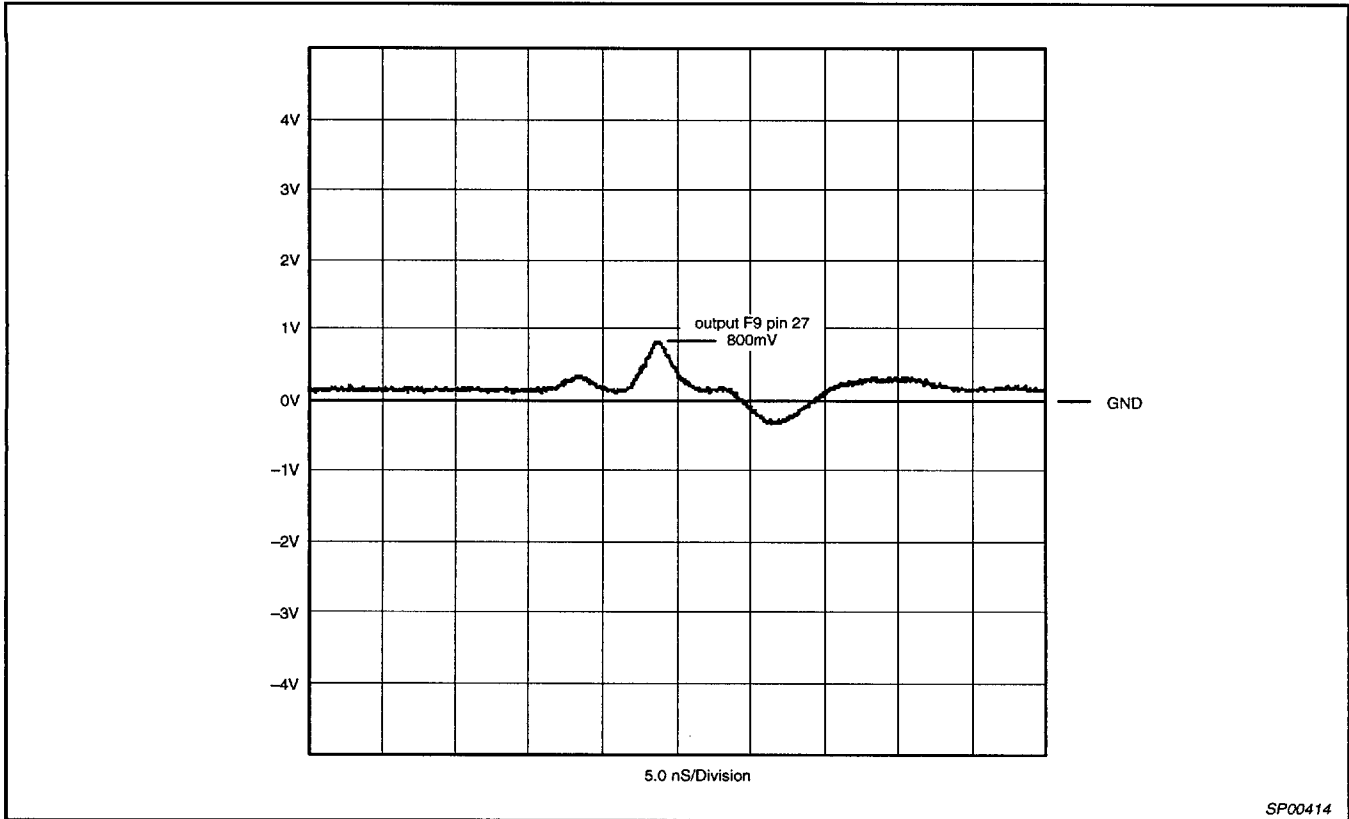


Figure 5. Device Characterization

SP00414

### Ground Bounce

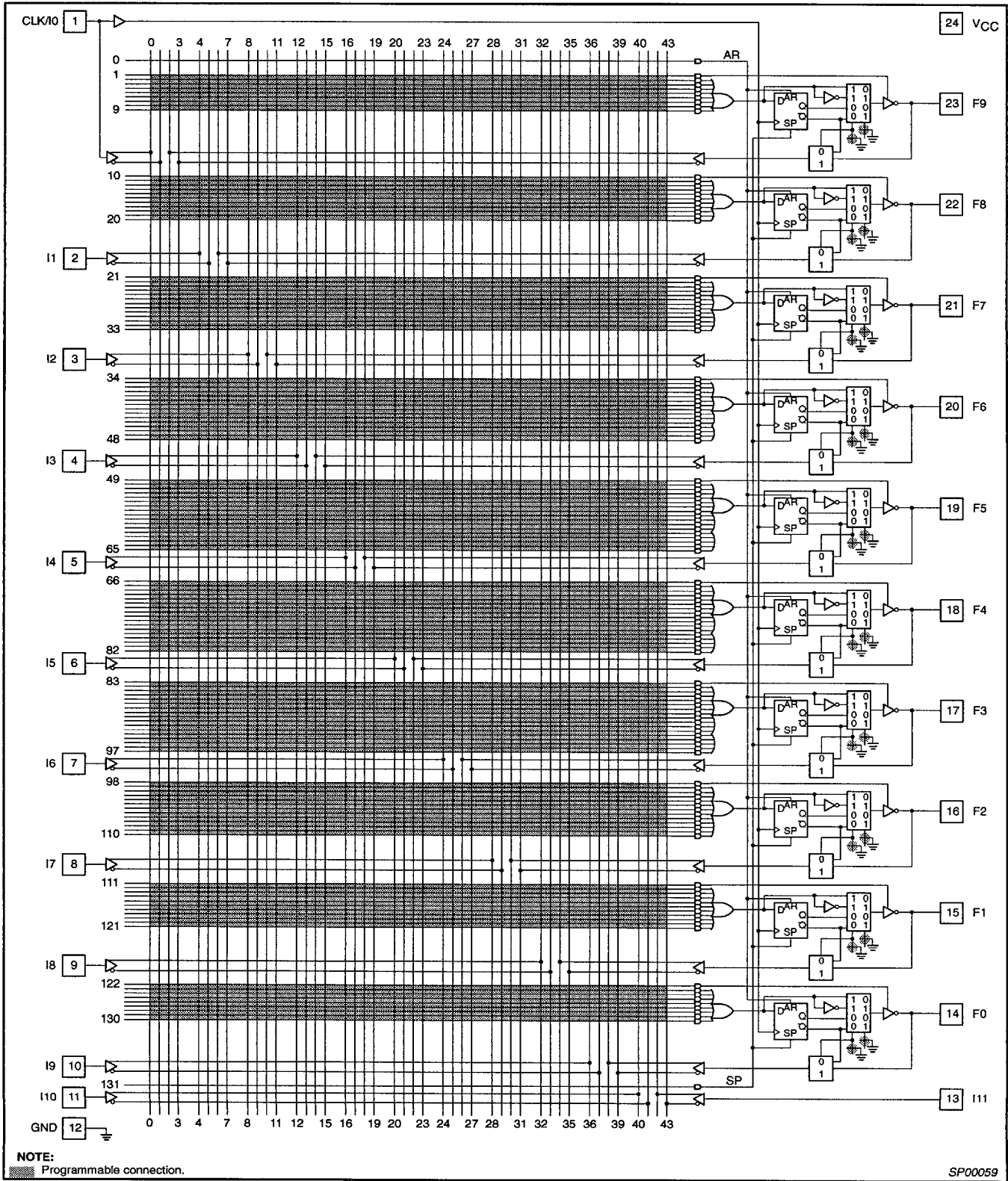
Figure 5 shows the low ground ( $V_{OLP}$ ) bounce (0.8V) observed on the 10th output of the ABT22V10 under the following conditions: 9 remaining outputs switching, each driving 50pF loads, in PLCC non-socketed device, at 5.25V, 25°C. Similar testing of comparable EECMOS 22V10 devices resulted in ground bounce in the 1.5 – 2.0V range.

At Philips the utilization of our advanced BiCMOS process, QUBiC, enables the production of high performance devices with the lowest output noise to ensure first pass system reliability. Quiet your concerns on ground bounce with Philips ABT22V10-7.

# Low noise, high drive, metastable immune, PLD

# ABT22V10-7

## LOGIC DIAGRAM



Low noise, high drive, metastable immune, PLD

ABT22V10-7

FUNCTIONAL DIAGRAM

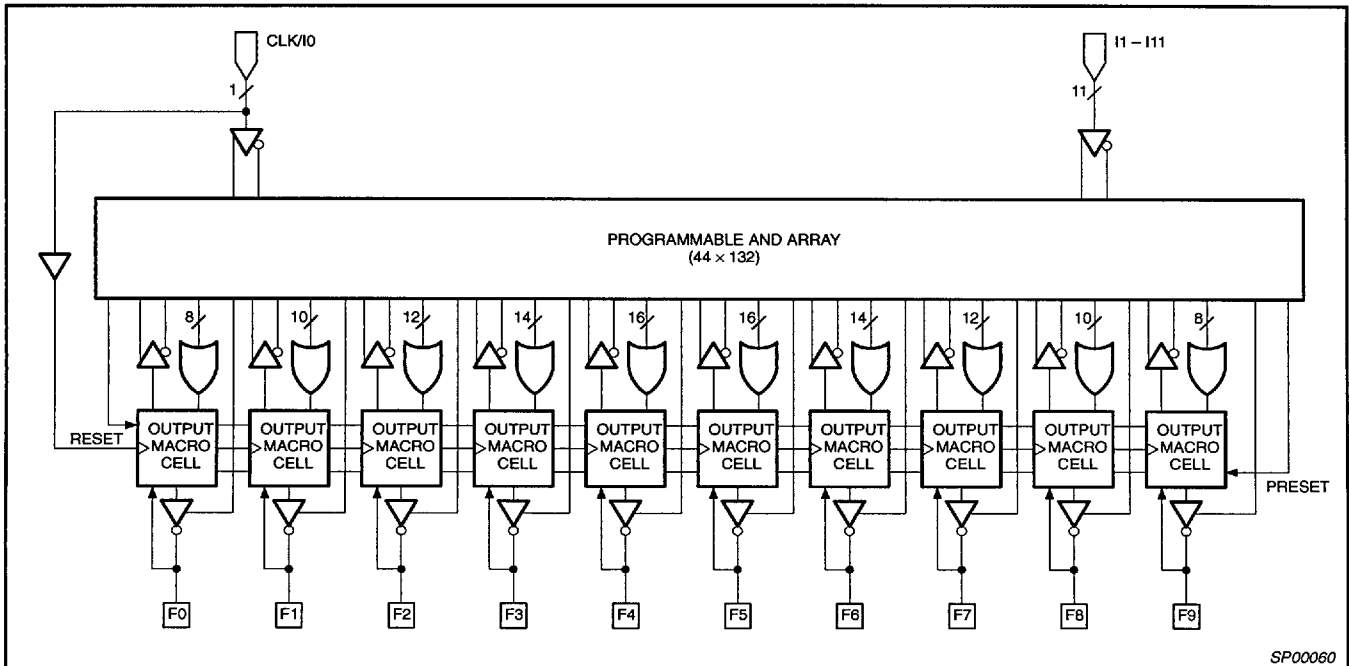


Figure 6. Functional Diagram

FUNCTIONAL DESCRIPTION

The ABT22V10 allows the systems engineer to implement the design on-chip, by opening fuse links to configure AND and OR gates within the device, according to the desired logic function.

Product terms with all fuses opened assume the logical HIGH state; product terms connected to both True and Complement of any single input assume the logical LOW state.

The ABT22V10 has 12 inputs and 10 I/O Macro Cells (Figure 6). The Macro Cell allows one of four potential output configurations, registered output or combinatorial I/O, Active-HIGH or Active-LOW (see Figure 7). The configurational choice is made according to the user's design specification and corresponding programming of the

configuration bits  $S_0 - S_1$ . Multiplexer controls are connected to ground (0) through a programmable fuse link, selecting the "0" path through the multiplexer. Programming the fuse disconnects the control line from GND and it floats to  $V_{CC}$  (1), selecting the "1" path.

The device is produced with a fuse link at each input to the AND gate array, and connections may be selectively removed by applying appropriate voltages to the circuit. Utilizing an easily-implemented programming algorithm, these products can be rapidly programmed to any customized pattern. Information on approved programmers can be found in the Programmer Reference Guide. Extra test fuses are pre-programmed during manufacturing to ensure extremely high field programming yields, and provide extra test paths to achieve parametric correlation.

Low noise, high drive, metastable immune, PLD

ABT22V10-7

OUTPUT MACRO CELL

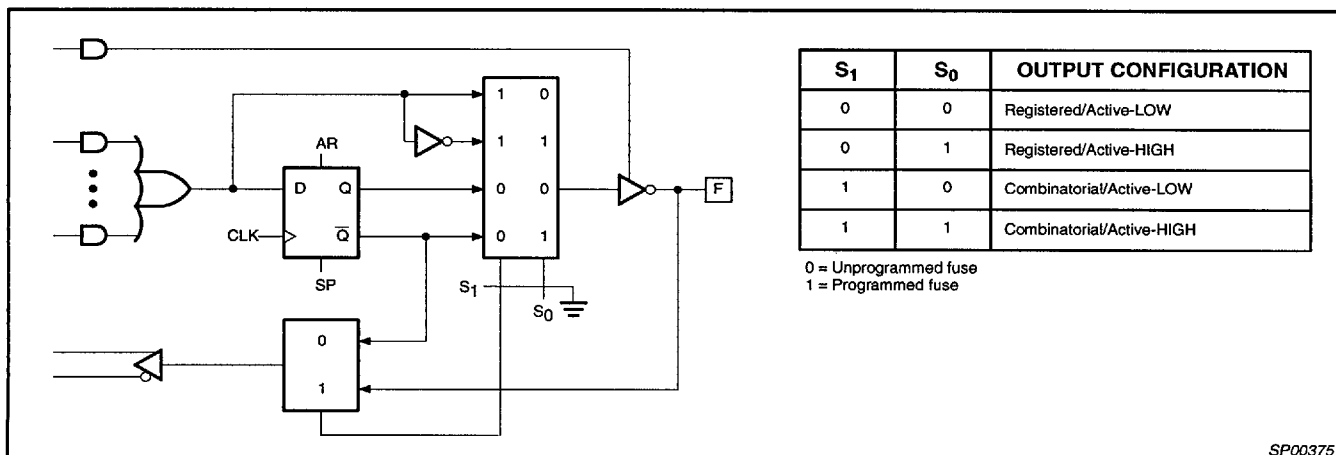


Figure 7. Output Macro Cell Logic Diagram

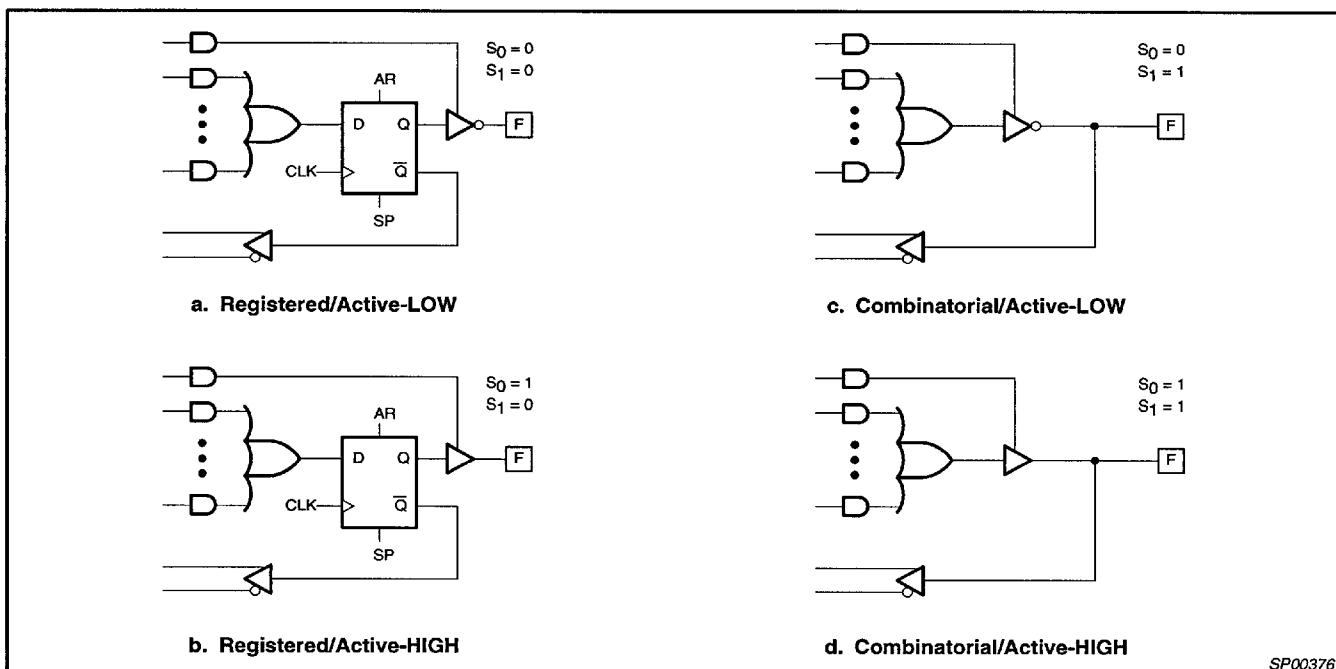


Figure 8. Output Macro Cell Configurations

**Registered Output Configuration**

Each Macro Cell of the ABT22V10 includes a D-type flip-flop for data storage and synchronization. The flip-flop is loaded on the LOW-to-HIGH transition of the clock input. In the registered configuration (S<sub>1</sub> = 0), the array feedback is from Q̄ of the flip-flop.

**Combinatorial I/O Configuration**

Any Macro Cell can be configured as combinatorial by selecting the multiplexer path that bypasses the flip-flop (S<sub>1</sub> = 1). In the combinatorial configuration, the feedback is from the pin.

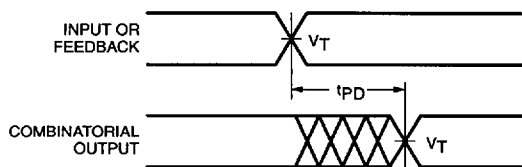
**Variable Input/Output Pin Ratio**

The ABT22V10 has twelve dedicated input lines, and each Macro Cell output can be an I/O pin. Buffers for device inputs have complementary outputs to provide user-programmable input signal polarity. Unused input pins should be tied to V<sub>CC</sub> or GND.

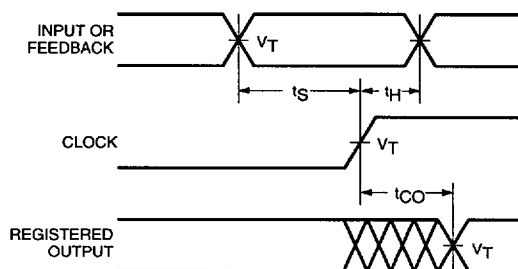
Low noise, high drive, metastable immune, PLD

ABT22V10-7

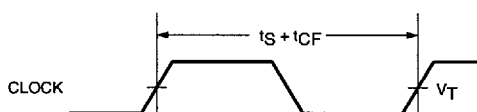
SWITCHING WAVEFORMS



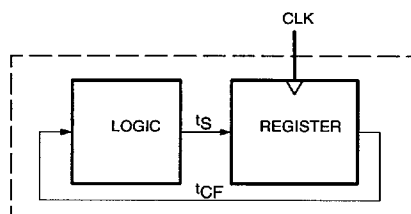
Combinatorial Output



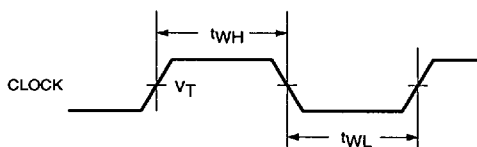
Registered Output



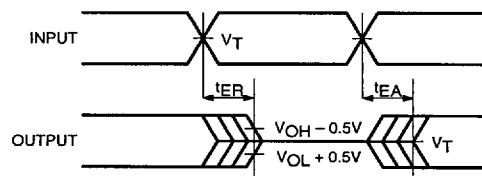
Clock to Feedback ( $f_{MAX}$  Internal)  
(See Path at Right)



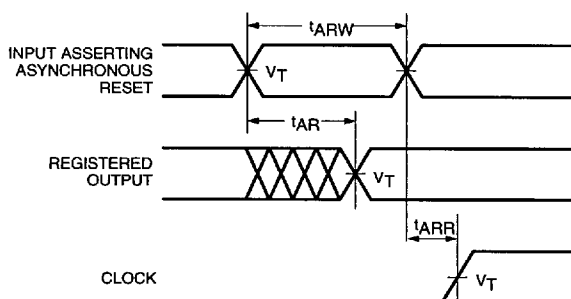
Clock to Feedback



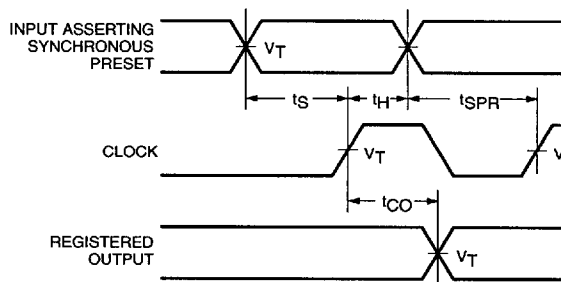
Clock Width



Input to Output Disable/Enable



Asynchronous Reset



Synchronous Preset

SP00377

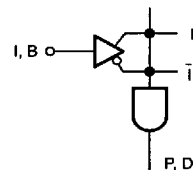
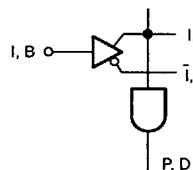
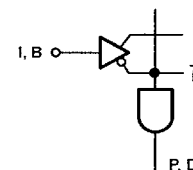
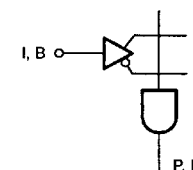
NOTES:

1.  $V_T = 1.5V$ .
2. Input pulse amplitude 0V to 3.0V.
3. Input rise and fall times 2.5ns max.

Low noise, high drive, metastable immune, PLD

ABT22V10-7

“AND” ARRAY – (I, B)

																			
<table border="1" style="margin: auto;"> <tr><th>STATE</th><th>CODE</th></tr> <tr><td>INACTIVE<sup>1</sup></td><td>O</td></tr> </table>	STATE	CODE	INACTIVE <sup>1</sup>	O	<table border="1" style="margin: auto;"> <tr><th>STATE</th><th>CODE</th></tr> <tr><td>TRUE</td><td>H</td></tr> </table>	STATE	CODE	TRUE	H	<table border="1" style="margin: auto;"> <tr><th>STATE</th><th>CODE</th></tr> <tr><td>COMPLEMENT</td><td>L</td></tr> </table>	STATE	CODE	COMPLEMENT	L	<table border="1" style="margin: auto;"> <tr><th>STATE</th><th>CODE</th></tr> <tr><td>DON'T CARE</td><td>—</td></tr> </table>	STATE	CODE	DON'T CARE	—
STATE	CODE																		
INACTIVE <sup>1</sup>	O																		
STATE	CODE																		
TRUE	H																		
STATE	CODE																		
COMPLEMENT	L																		
STATE	CODE																		
DON'T CARE	—																		

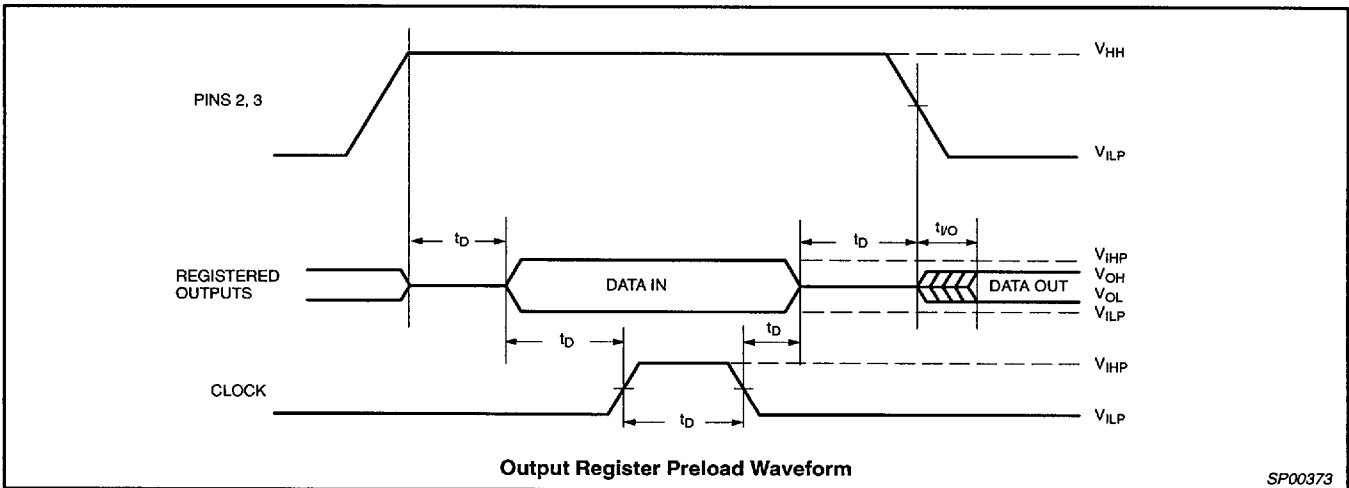
SP00008

NOTE:

1. This is the initial state.

PRELOAD SET-UP

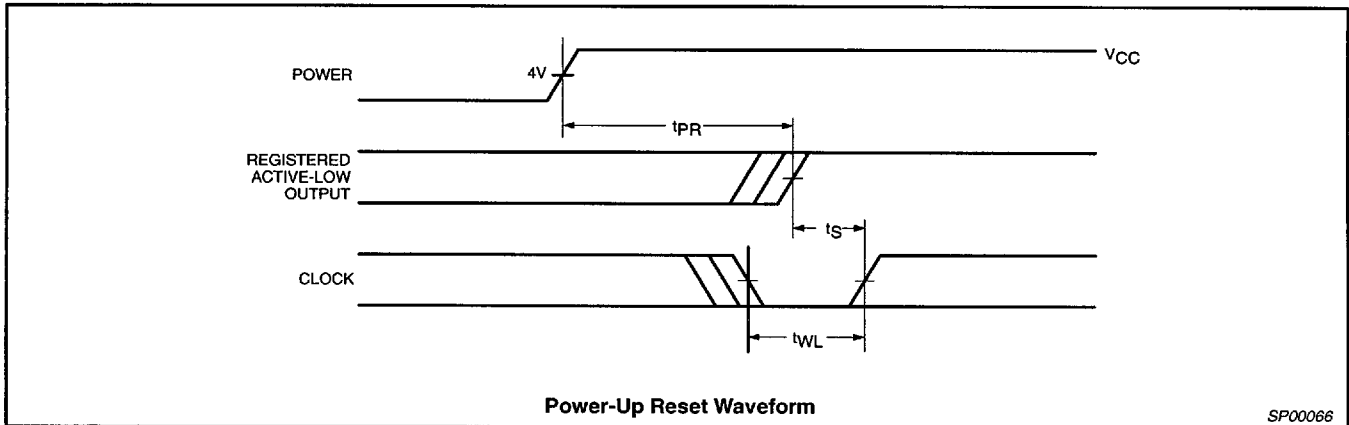
SYMBOL	PARAMETER	LIMITS			UNIT
		MIN	REC	MAX	
V <sub>HH</sub>	Super-level input voltage	9.5	9.5	10	V
V <sub>ILP</sub>	Low-level input voltage	0	0	0.8	V
V <sub>IHP</sub>	High-level input voltage	2.4	5.0	5.5	V
t <sub>D</sub>	Delay time	100	200	1000	ns
t <sub>I/O</sub>	I/O valid after Pin 2 or 3 drops from V <sub>HH</sub> to V <sub>ILP</sub>	100			ns





Low noise, high drive, metastable immune, PLD

ABT22V10-7



Power-Up Reset Waveform

SP00066

SYMBOL	PARAMETER	LIMITS		UNIT
		MIN	MAX	
t <sub>PR</sub>	Power-up Reset Time		1	μs
t <sub>S</sub>	Input or Feedback Setup Time	See AC Electrical Characteristics		
t <sub>WL</sub>	Clock Width LOW			

**POWER-UP RESET**

The power-up reset feature ensures that all flip-flops will be reset to LOW after the device has been powered up. The output state will depend on the programmed pattern. This feature is valuable in simplifying state machine initialization. A timing diagram and parameter table are shown above. Due to the synchronous operation of the power-up reset and the wide range of ways V<sub>CC</sub> can rise to its steady state, two conditions are required to ensure a valid power-up reset. These conditions are:

1. The V<sub>CC</sub> rise must be monotonic.
2. Following reset, the clock input must not be driven from LOW to HIGH until all applicable input and feedback setup times are met.

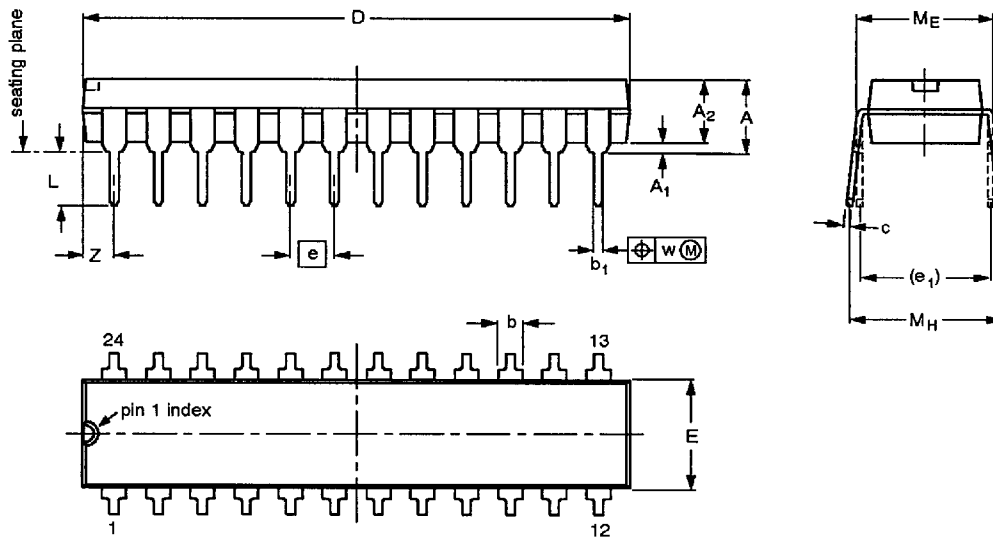


Low noise, high drive, metastable immune, PLD

ABT22V10-7

DIP24: plastic dual in-line package; 24 leads (300 mil)

SOT222-1



DIMENSIONS (millimetre dimensions are derived from the original inch dimensions)

UNIT	A max.	A <sub>1</sub> min.	A <sub>2</sub> max.	b	b <sub>1</sub>	c	D <sup>(1)</sup>	E <sup>(1)</sup>	e	e <sub>1</sub>	L	M <sub>E</sub>	M <sub>H</sub>	w	Z <sup>(1)</sup> max.
mm	4.70	0.38	3.94	1.63 1.14	0.56 0.43	0.36 0.25	31.9 31.5	6.73 6.48	2.54	7.62	3.51 3.05	8.13 7.62	10.03 7.62	0.25	2.05
inches	0.185	0.015	0.155	0.064 0.045	0.022 0.017	0.014 0.010	1.256 1.240	0.265 0.255	0.100	0.300	0.138 0.120	0.32 0.30	0.395 0.300	0.01	0.081

Note

1. Plastic or metal protrusions of 0.01 inches maximum per side are not included.

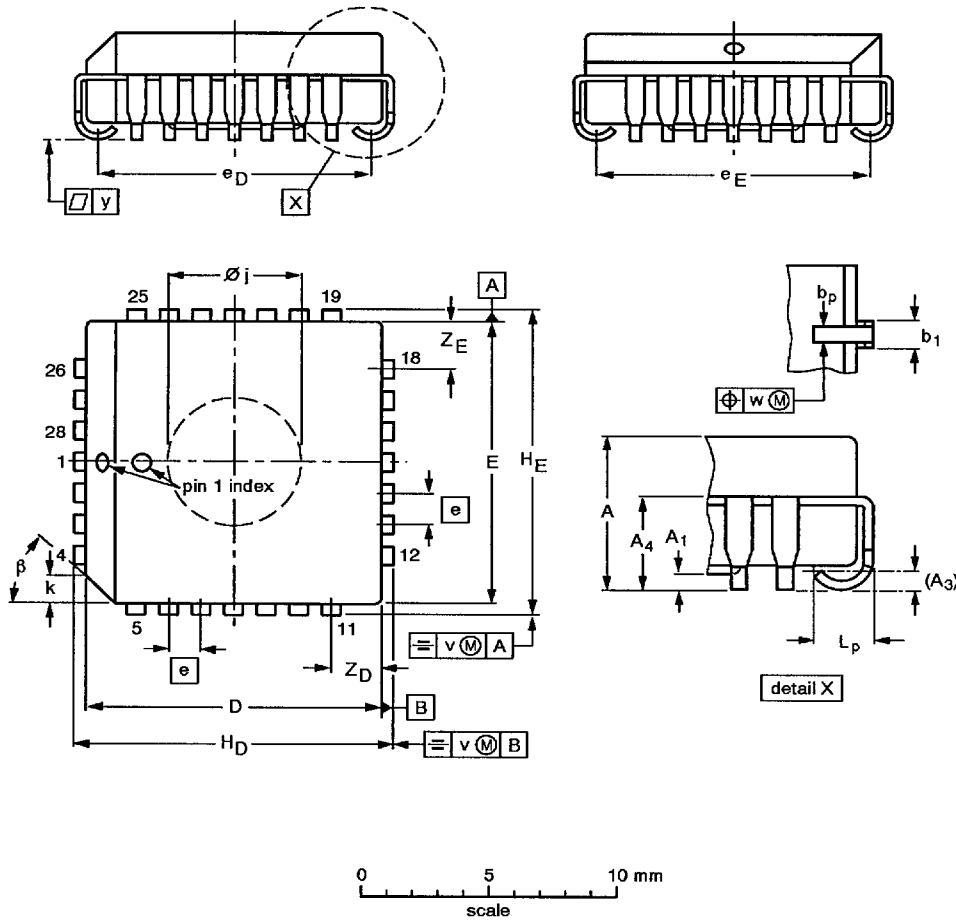
OUTLINE VERSION	REFERENCES				EUROPEAN PROJECTION	ISSUE DATE
	IEC	JEDEC	EIAJ			
SOT222-1		MS-001AF				95-03-11

Low noise, high drive, metastable immune, PLD

ABT22V10-7

PLCC28: plastic leaded chip carrier; 28 leads; pedestal

SOT261-3



DIMENSIONS (millimetre dimensions are derived from the original inch dimensions)

UNIT	A	A <sub>1</sub> min.	A <sub>3</sub>	A <sub>4</sub> max.	b <sub>p</sub>	b <sub>1</sub>	D <sup>(1)</sup>	E <sup>(1)</sup>	e	e <sub>D</sub>	e <sub>E</sub>	H <sub>D</sub>	H <sub>E</sub>	k	φ <sub>j</sub>	L <sub>p</sub>	v	w	y	Z <sub>D</sub> <sup>(1)</sup> max.	Z <sub>E</sub> <sup>(1)</sup> max.	β
mm	4.57 4.19	0.13	0.25	3.05	0.53 0.33	0.81 0.66	11.58 11.43	11.58 11.43	1.27	10.92 9.91	10.92 9.91	12.57 12.32	12.57 12.32	1.22 1.07	5.69 5.54	1.44 1.02	0.18	0.18	0.10	2.06	2.06	45°
inches	0.180 0.165	0.005	0.01	0.12	0.021 0.013	0.032 0.026	0.456 0.450	0.456 0.450	0.05	0.430 0.390	0.430 0.390	0.495 0.485	0.495 0.485	0.048 0.042	0.224 0.218	0.057 0.040	0.007	0.007	0.004	0.081	0.081	

Note

1. Plastic or metal protrusions of 0.01 inches maximum per side are not included.

OUTLINE VERSION	REFERENCES				EUROPEAN PROJECTION	ISSUE DATE
	IEC	JEDEC	EIAJ			
SOT261-3		MO-047AB				92-11-17 95-02-25