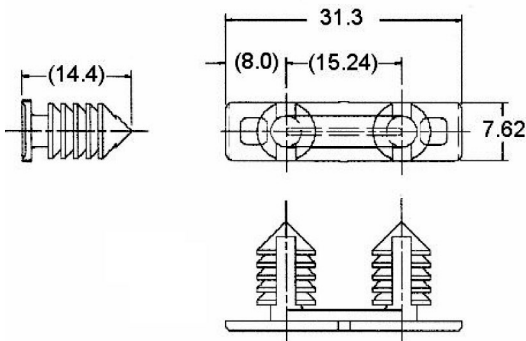


## APEX 2.8 mm Connector Clips

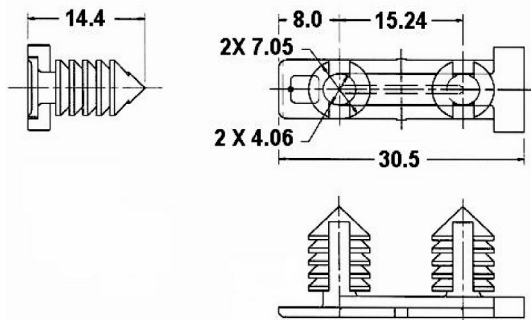


**Double X-Tree**

Supplier: NTI

Part No. 04707091

Fits both male & female connector clip slots

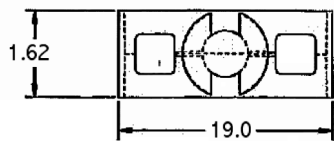


**Double X-Tree**

Supplier: FCI

Part No. 54200010

Fits male side only connector clip slots.  
Provides <200N push through retention.

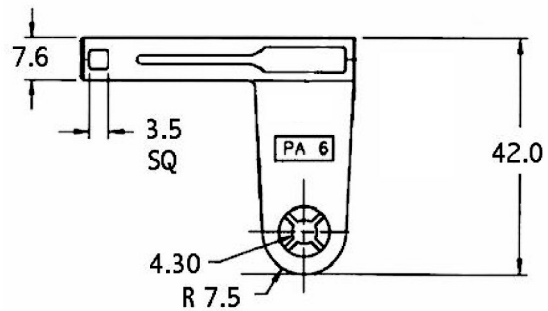
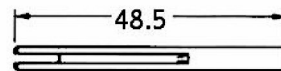


**Single X-Tree Clip**

Supplier: ITW DELTAR

Part No. 15-002775

Fits both male and female



**M5 Weld Stud Clip**

Part No. 54200002

Fits both male and female