

PLEASE CHECK WWW.MOLEX.COM FOR LATEST PART INFORMATION

Part Number: [0522130311](#)
Status: **Active**
Overview: [splash_proof](#)
Description: 2.50mm (.098") Pitch Splash Proof Wire-to-Wire Receptacle Housing, 3 and 4 Circuit Version, 3 Circuits

Documents:

[3D Model](#) [Product Specification PS-52213-002 \(PDF\)](#)
[Drawing \(PDF\)](#) [RoHS Certificate of Compliance \(PDF\)](#)

Agency Certification

UL E29179

General

Product Family Crimp Housings
 Series [52213](#)
 MolexKits Yes
 Overview [splash_proof](#)
 Product Name Splash Proof

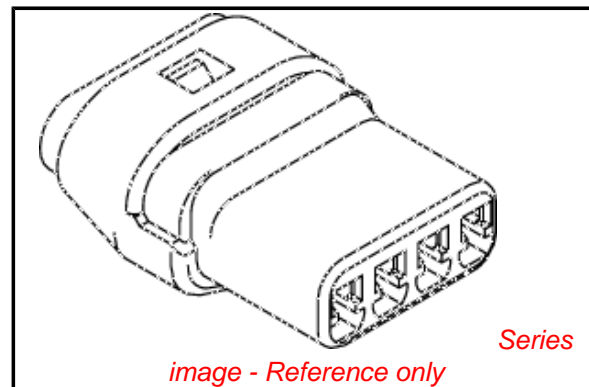
Physical

Circuits (maximum) 3
 Flammability 94V-0
 Gender Female
 Glow-Wire Compliant No
 Number of Rows 1
 Packaging Type Tray
 Panel Mount No
 Pitch - Mating Interface (in) 0.098 In
 Pitch - Mating Interface (mm) 2.50 mm
 Stackable No
 Temperature Range - Operating -40°C to +105°C

Material Info

Reference - Drawing Numbers

Product Specification PS-52213-002
 Sales Drawing SD-52213-**1*, SD-52213-001



EU RoHS

ELV and RoHS Compliant
REACH SVHC
 Not Reviewed
Halogen-Free Status
Not Reviewed

China RoHS



Need more information on product environmental compliance?

Email productcompliance@molex.com
 For a multiple part number RoHS Certificate of Compliance, [click here](#)

Please visit the [Contact Us](#) section for any non-product compliance questions.

Search Parts in this Series

[52213Series](#)

Mates With

[52266](#)

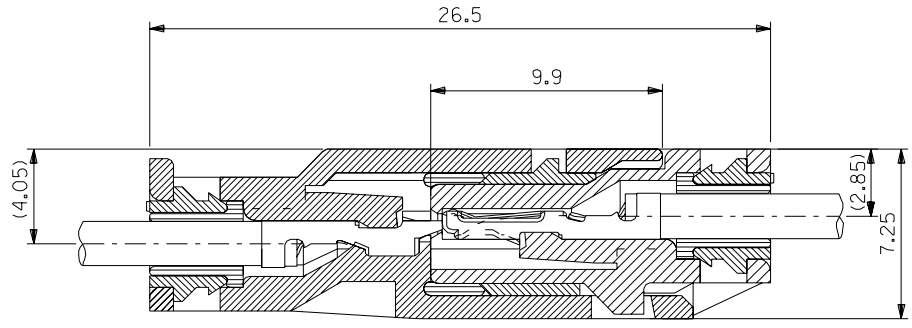
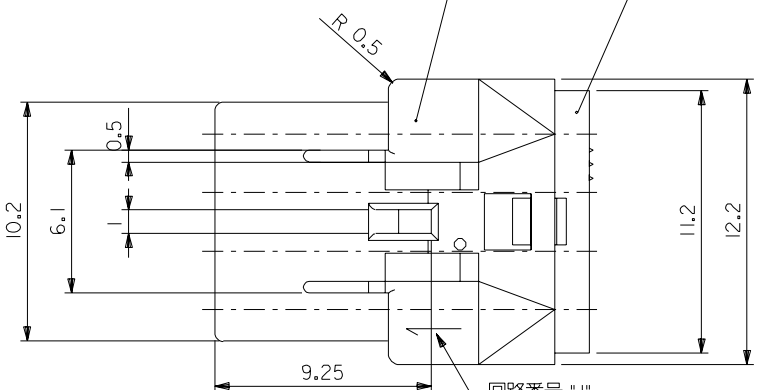
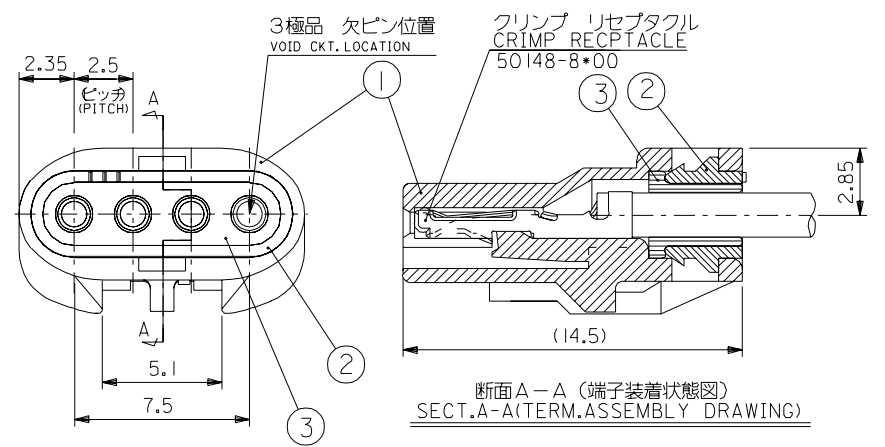
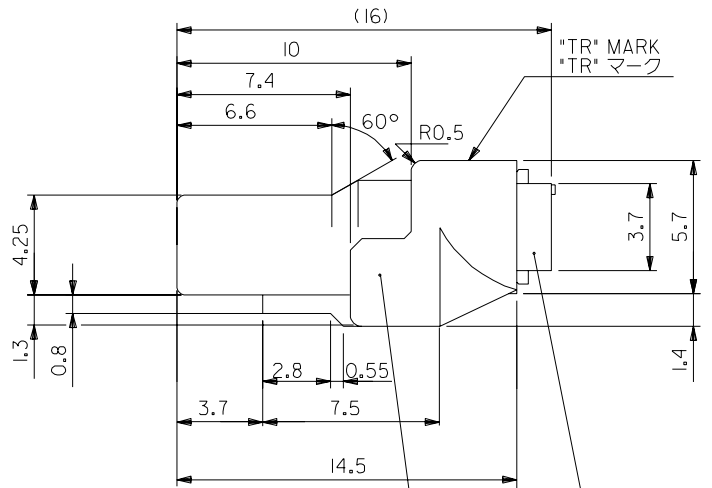
Use With

[50148](#)

ENG. NO.
SD-52213-***1*

EDP NO.

DIMENSIONS IN METRIC DO NOT SCALE DRAWING



注記 NOTES

- 1. 適合クリンプ ピン ; 50148-8*00
APPLICABLE CRIMP PIN ; 50148-8*00
- 2. 嵌合相手 ; 52266-***1*
MATES WITH ; 52266-***1*

黒 BLACK	52213-0311	3
茶 BROWN	52213-0417	4
ハウジングの色 HS'G COLOR	製品番号 ENG.No.	極数 No. OF CKT.

シリコンゴム SILICONE	ワイヤーエンド シール WIRE END SEAL	③
ポリエステル (15%G.F.) POLYESTER (15%G.F.)	キャップ CAP	②
ポリエステル (15%G.F.) POLYESTER (15%G.F.)	プラグ ハウジング PLUG HOUSING	①
材料 MATERIAL	名称 TITLE	×

端子装着時の断面 A-Aの構成部品
COMPONENT (SECT.A-A)

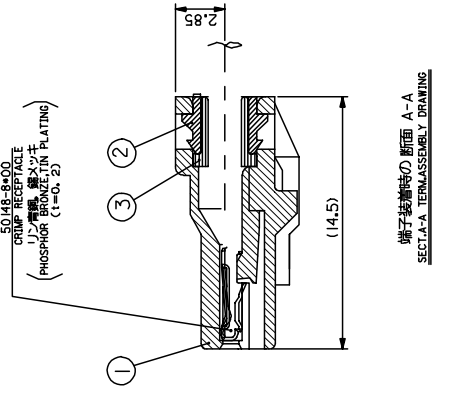
角度 ANGLE	±3°				
30以上 OVER	+0.3	A	変更 REVISED (J31090)	93/10/26	
10以下 30未満 UNDER	+0.25	O	新規作成 PROPOSED (J10601)	9/8/20	
10未満 UNDER	+0.2	記号 LTR	変更内容 REVISION RECORD	日付 DATE	
一般公差 GENERAL TOLERANCES			REVISION RECORD	DR. CHK.	

材料 MATERIAL	表参照 SEE CHART
仕上げ FINISH	— W —
適用電線範囲 WIRE RANGE	AVSS-0.3 CAVS-0.3
被覆外径 INS. RANGE	φ 1.4-1.5
DRAWN BY '91/7/17	CHK'D BY '93/11/9
M.SANO	M.SANO M.SAKANO
APP'D BY '93/11/9	尺度 SCALE 5-1
M.ENOMOTO	

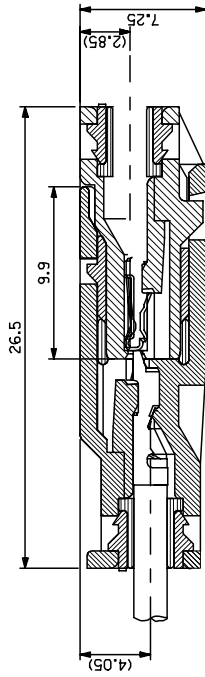
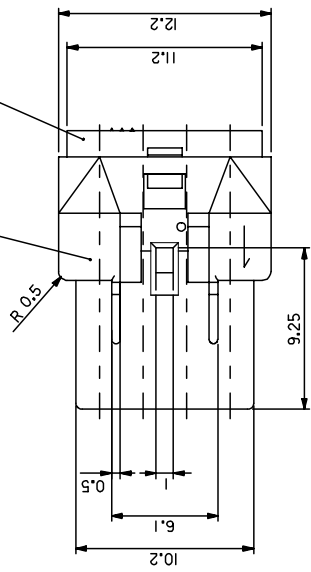
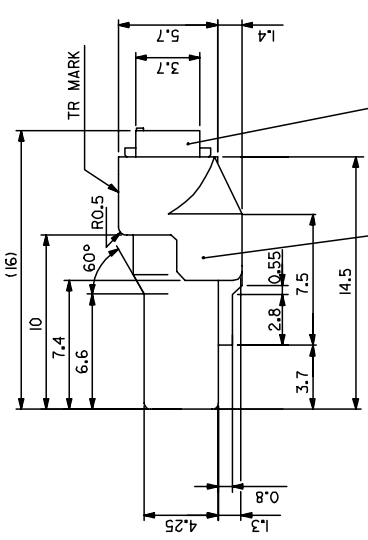
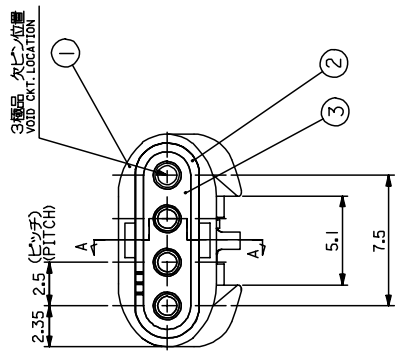
MOLEX JAPAN CO.,LTD. 日本モレックス株式会社	
EDP. NO.	
ENG. NO. SD-52213-***1*	REV A
TITLE 名称 2.5 MINI SPLASH PROOF CONN. REC.HOUSING ASS'Y	

THIS DRAWING CONTAINS INFORMATION THAT IS PROPRIETARY TO MOLEX(JAPAN) AND SHOULD NOT BE USED WITHOUT WRITTEN PERMISSION
本図面は日本モレックス(株)の所有する情報を含むもので 会社の許可なく複製を禁止する。

MXJ-8



端子装着時の断面 A-A
SECTION A-A TERNASSEMBLY DRAWING



集合状態図
FULLY MATED CONDITION

注 記
NOTE
1. *本品の性能仕様書: PS-52213-002 に準拠する。
PRODUCT SPECIFICATION: PS-52213-002

品名 POLYESTER (15%G.F.)	青 BLUE	ワイヤエンドシール WIRE END SEAL	59541-04*4	③
ポリテスター (15%G.F.) POLYESTER (15%G.F.)	灰 GRAY	キャップ CAP	52210-0405	②
ポリテスター (15%G.F.) POLYESTER (15%G.F.)	見本 SEE CHART	受容器 RECEPTACLE HOUSING	52213-040*	①
材料 MATERIAL	色 COLOR	名称 TITLE	工番 ENG. NO.	

材料 MATERIAL	見本 SEE CHART	REV	0
DESCRIPTION	RELEASED	EC NO.	J2007-0607
DRWNSKATYOKA	2006/09/12	CHKDKTYODA	2006/09/24
APPR.NMKITA	2006/09/26		

GENERAL TOLERANCES (UNLESS SPECIFIED)	10 UNDER ±0.2
	10 OVER 30 UNDER ±0.25
	30 OVER ±0.3
ANGULAR	±3 °
DRAFT WHERE APPLICABLE MUST REMAIN WITHIN DIMENSIONS	

SCALE	5:1
DESIGN UNITS	METRIC
THIRD ANGLE PROJECTION	
TITLE	2.5 MINI SPLASH PROOF CONN REC HSG ASSY
DRAWN BY	S. KATAOKA
CHECKED BY	K. TOYODA
APPROVED BY	N. UKITA
DATE	2006/09/11
DATE	2006/09/11
DATE	2006/09/11
MATERIAL NO.	SEE CHART
DOCUMENT NO.	SD-52213-001
SHEET NO.	1 OF 1

59541-0404	GREEN	52213-0417	4
59541-0404	GREEN	52213-0416	4
59541-0404	BLUE	52213-0414	4
59541-0404	BLUE	52213-0410	4
59541-0414	BLUE	52213-0311	3
FORM 2700-1 (REV. 06)	UNITED STATES OF AMERICA	MOLEX INC.	
WIRE END SEAL ENGR.	HOUSING CO. ENGR.		