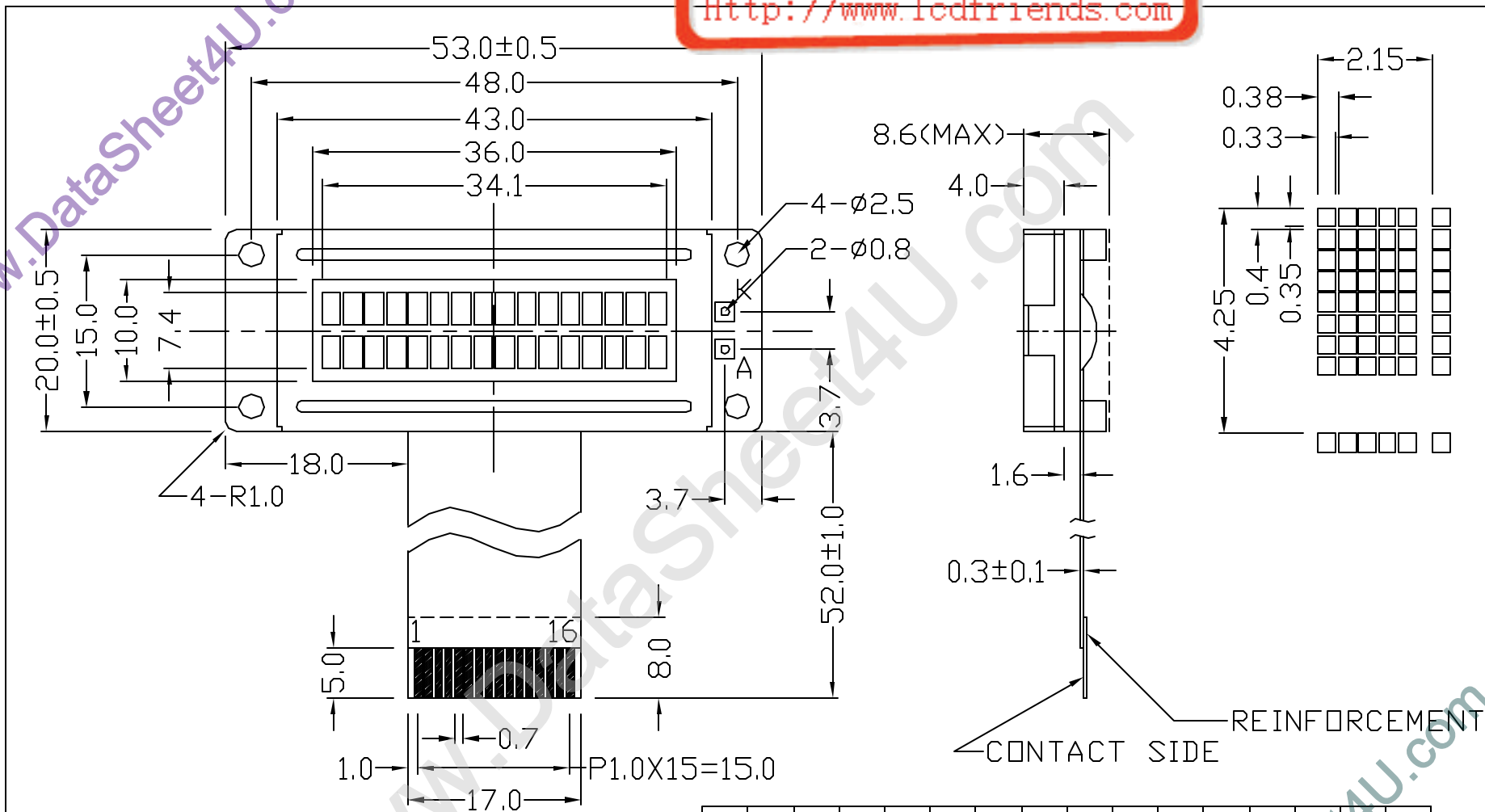


液晶之友 电话: 020-33819057
[Http://www.lcdfriends.com](http://www.lcdfriends.com)

www.DataSheet4U.com



- NOTES:
- 1.DISPLAY TYPE: TN, STN, or FSTN
 - 2.VIEWING DIRECTION: 6:00 or 12:00
 - 3.POLARIZER MODE: REFLECTIVE or TRANSFLECTIVE
 - 4.OPERATING TEMP: NORMAL or WIDE
 - 5.STORAGE TEMP: NORMAL or WIDE
 - 6.LCD OPERATING VOLTAGE: 4.2V
 - 7.DRIVE METHOD: 1/16 DUTY 1/5 BIAS
 - 8.BACKLIGHT TYPE: NONE, LED, or EL
 - 9.UNMARKED TOLERANCE: ±0.3mm
 - 10.THERE IS AN ADHESIVE DOUBLE TAPE BETWEEN PCB AND CABLE

1	2	3	4	5	6	7	8	9	10	11	12	13	14	15	16
V _{SS}	V _{DD}	V ₀	RS	R/W	E	DB0	DB1	DB2	DB3	DB4	DB5	DB6	DB7	A	K

TIAN-MA MICROELECTRONICS CO.
 6/F., CASTIC Building, Shennan Road, Central, Shenzhen, China

DRAWN BY:	TITLE: TM162X	
CHECKED BY:	DWG NO: G-1	
APPROVED BY:	DWG NAME: TM162XBC6G-1	SHEET NO: 01
CONFIRMED BY:		