



File No	RDPS-POTS050	
Revision	R0	
System Application	Asymmetric Digital Subscriber Line	
Product Type	Micro filter for South Africa	
Product Name	MF604F	
Date	Aug. 27 th , 2002	
Issued By	Sundi Lin - Design Engineer, R&D_1	
	sundi@ycl.com.tw	
Approved By	Roger Wu – Manager, R&D_1	
	roger@ycl.com.tw	
Issued Date		



YCL Electronics Co., Ltd.

No.95, Feng Jen Road. Feng Shan City, Kaohsiung, Taiwan, R.O.C.

This controlled document is the property of YCL Electronics Co., Ltd. Any duplication reproduction or transmission by unauthorized parties without the prior written permission of YCL Electronics Co., Ltd. is prohibited.

Table of contents

Item	Description	Page
1.	Introduction	3
2.	Reference	3
3.	Abbreviations	4
4.	Technical requirements	4
	4.1. Schematic	4
	4.2. Electrical specification	5
	4.3. DC characteristic	7
	4.4. Z _{ADSL} definition	7
	4.5. Test method	8
	4.5.1. Insertion loss test setup	8
	4.5.3. Return loss from line side test setup	9
	4.5.4. Return loss from phone side test setup	10
5	Environmental condition	11
	5.1. Resistibility to overvoltage and overcurrents	11
	5.2. Climatic condition	11
	5.2.1. Operating temperature	11
	5.2.2. Storage and transport	11
	5.2.3. Operating humidity	11
6	Reliability conditions	11
	6.1. Thermal shock	11
	6.2. Temperature humidity exposure	11
	6.3. Vibration test	11
7.	Mechanical condition	12
	7.1. Dimension	12
	7.2. Connector information	12

1. Introduction:

The MF604F is a “in – line” (or distributed) filter that has been specifically designed to implement the functionality of low pass filter in POTS over ADSL application .

Asymmetric Digital Subscriber Line (ADSL) technology is dedicated , point to point , public network access technology that allows multiple forms of data , voice , and video to be carried over twisted-pair copper wire on the local loop between a network service provider' s(NSP' S) central office and the customer site or within intra-campus / intra-building networks. Best of all , ADSL delivers this high speed performance over existing copper telephone line all while allowing traditional voice service to coexist without interruption through POTS low pass filters.

The MF604F integrates low pass filter that blocks the high frequency energy from reaching the POTS device and provides isolation from impedance effects of the POTS device on ADSL. In addition , this filter will also attenuate any wideband impulse noise generated by the POTS device due to the interruption of loop current(e.g. pulse dialing or on hook / off hook transfer)Because the POTS filter connects directly to the subscriber loop media , it must provide some protection for externally induced line hits or faults which could damage any attached equipment or endanger humans interacting with the installed equipment. The circuit protection will be provided mostly by standard central office line protection means and additional protection measures built into pots filter to protect against line overstress which could damage the filter itself.

2. Reference:

- | | | |
|----------|-----------------|---|
| Ref. 1 : | ETSI TR 101 728 | Attachment to Public Switched Telephone Network |
| Ref. 2 : | ITU-T G992.1 | Asymmetric Digital Subscriber Line (ADSL) Transceiver |
| Ref. 3 : | K21 | Resistibility of subscribers terminal to overvoltages and overcurrents. |

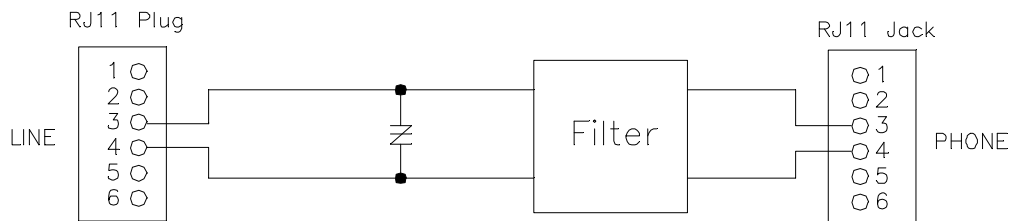
3. Abbreviations:

ADSL	Asymmetric Digital Subscriber Line
CO	Central Office
CPE	Customer Premise Equipment.
POTS	Plain Old Telephone Service
RT	Remote Terminal

4. Technical requirements:

4.1. Schematic:

The following drawing illustrate the schematic of this product.



4.2. Electrical specification :

Splitter parameter	Electrical requirements	
	Range	values
Frequency range		
Splitter bandwidth		DC to 16KHz
Nominal voice band		0KHz to 4KHz
Ringing frequency		17Hz , 25Hz
ADSL band		26KHz to 1104KHz
Line Impedance ZL		270ohm + (750ohm // 150nF)
CO impedance ZTc		270ohm + (750ohm // 150nF)
RT impedance ZTr		270ohm + (750ohm // 150nF)
Modem impedance	26KHz < f < 1104KHz	100 ohm
Operation voltage voice band		
Nominal signal		21mVpp to 5.4 Vpp
Ringing signal		35Vrms to 75Vrms
DC voltage		0V to 78V
Max. AC voltage	25Hz < f < 50Hz	100Vrms with 78VDC offset
Current voice band		
Loop current		<=125mA
Transient current(on/off hook)		<=125mA
DC Resistance		
DC Resistance		<=25 ohm
Isolation resistance between any wire and earth		>25 Mohm
Isolation resistance between wires	At 200Vdc	>25Mohm
Voice-band characteristic		
Delay distortion	200Hz < f < 4KHz	<200 usec

Splitter parameter		Electrical requirements			
		Range		values	
Insertion loss		1KHz		<=1.0 dB	
Attenuation distortion		200Hz<f<3.4KHz		<=±1.0 dB	
Splitter parameter	Range	values	Port		
			Modem	Line	Phone
Voice-band characteristic for single filter					
Insertion loss	1 kHz	<1.0 dB	Z_{ADSL}	$Z_R / 600$	$Z_R / 600$
Attenuation distortion	200Hz – 4kHz	<1.0 dB	Z_{ADSL}	$Z_R / 600$	$Z_R / 600$
Return loss at the Line / POTS port	300Hz – 3.4kHz	>12 dB	Z_{ADSL}	Z_R / Z_{sl}	Z_R / Z_{sl}
	3.4kHz – 4kHz	>8 dB	Z_{ADSL}	Z_R / Z_{sl}	Z_R / Z_{sl}
Voice-band characteristic for four filters					
Insertion loss	1 kHz	<1.0 dB	Z_{ADSL}	$Z_R / 600$	$Z_R / 600$
Attenuation distortion	200Hz – 4kHz	<1.0 dB	Z_{ADSL}	$Z_R / 600$	$Z_R / 600$
Return loss at the Line / POTS port	300Hz – 3.4kHz	>12 dB	Z_{ADSL}	Z_R / Z_{sl}	Z_R / Z_{sl}
	3.4kHz – 4kHz	>8 dB	Z_{ADSL}	Z_R / Z_{sl}	Z_R / Z_{sl}
Line side impedance of the filter at ADSL freq.	32kHz – 1100kHz	<1 kΩ	---	---	Z_{RHF}
Splitter parameter		Electrical requirements			
		Range		values	
Longitudinal conversion loss LCL		25K, 50K, 100 K, 200K ,1100K		>=40 dB	
ADSL band characteristic					
Stop band attenuation		32KHz< f <1100KHz		>=55 dB	

NOTE :

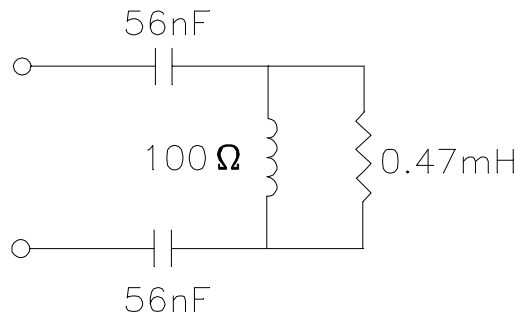
$$Z_{RHF} : 120 \text{ ohm} + [(150 \text{ ohm} // 47\text{nf}) + (750 \text{ ohms} // 150\text{nf})]$$

4.3. DC characteristic :

All requirement of this specification can be met in the presence of all POTS loop currents from 0mA to 125mA. This in line filter can pass POTS tip-to-ring dc voltages of 0V to 78V and ringing signals of 35Vrms to 75Vrms at any frequency from 17Hz and 25Hz with a dc component in the range from 0V to 78V. The dc resistance from tip-to-ring at the line port interface with the phone interface shorted, shall be less than or equal to 25 ohms. The DC resistance from tip-to-ground and from ring-to-ground at the POTS interface with the U-R interface open shall be greater than or equal to 5 Megohms. The ground point shall be local building or green wire ground. As an objective , the dc resistance should exceed 25MΩ.

4.4. Z_{ADSL} Definition:

To facilitate testing of the In-Line Filter independently of the actual modem or specific vendor, Z_{ADSL} is defined to allow proper termination of the ADSL port during voice band testing. The Z_{ADSL} is valid only for voice band frequency. The combination of capacitors in the Z_{ADSL} is only representative. The input shall be 27nF however derived. Z_{ADSL} equivalent circuit is shown below.



4.5. Test method :

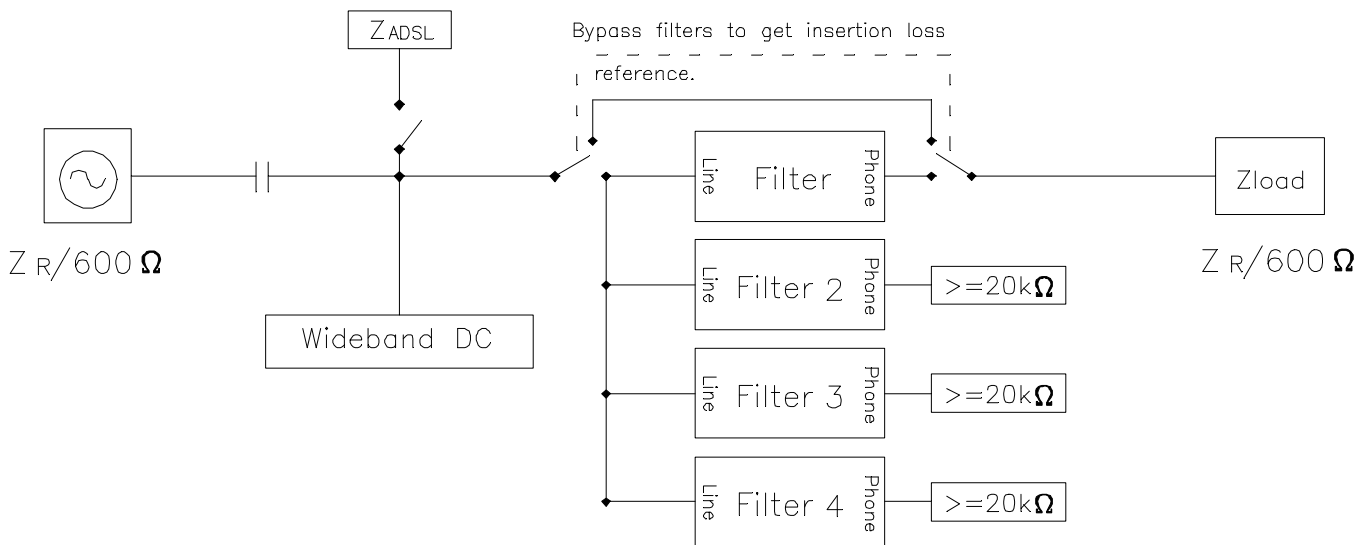
4.5.1. Insertion loss test setup :

The insertion loss of a device connected into a given transmission system is defined as the ratio, expressed in dB, of the load power available (before and after insertion) delivered to the output network beyond the point of insertion at a given frequency. In general , the insertion loss of a device inserted in a given transmission system is mainly caused by internal component resistive loss while all of the impedance between source , load and device interface having been matched. To perform the insertion loss measurement ,thru calibration must be done prior the testing . General Insertion loss equation can be expressed as following. Insertion loss = $20 \log |V2 / V1|$ dB where

V1 = the measured voltage value of load without LPF in circuit.

V2 = the measured voltage value of load with LPF in circuit.

The test setup is shown in drawing below :



Note : $Z_R = 270 \text{ ohm} + (750 \text{ ohm} // 150\text{nf})$

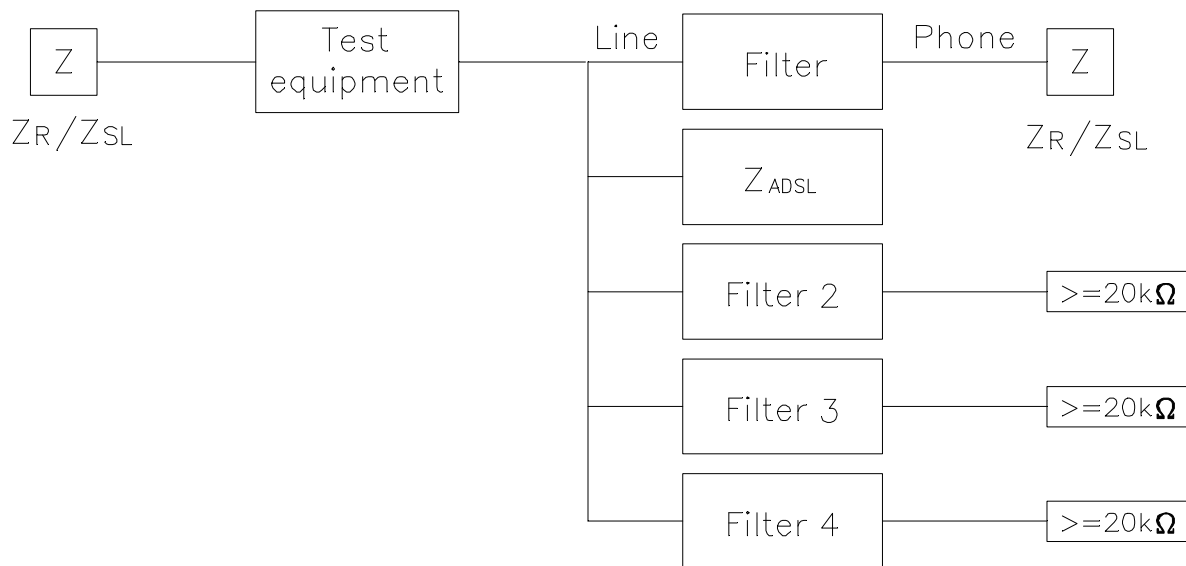
4.5.2 . Return loss from line side test setup :

Return loss measures the amount of lost energy due to reflection resulted from impedance mismatching at the interface. Return loss is essentially defined as the ratio of the incident power upon a given transmission system to the reflective power caused by impedance mismatch with respect to reference impedance at the interface between source and device. Return loss figure is a function of the impedance of the circuit involved and therefore frequency dependent. These impedance must be closely maintained in order to reduce the possibility of undesirable reflection and echoes which results from long distance circuit of the telephone user and may destroy the data being sent. To perform the return loss test , open ,short and load calibration must be done prior measurement while the LCZ impedance analyzer being selected in impedance mode. Return loss is general expressed in decibels.

General return loss equation is listed: $\text{Return loss} = 20 \log \left| \frac{Z_L + Z_M}{Z_L - Z_M} \right| \text{dB}$

Where Z_L = the reference impedance Z_M = the measured impedance

The test setup is shown in drawing below:



NOTE :

$Z_{SL} = 82 \text{ ohm} + (600 \text{ ohm} // 68 \text{ nf})$

Note : $Z_R = 270 \text{ ohm} + (750 \text{ ohm} // 150 \text{ nf})$

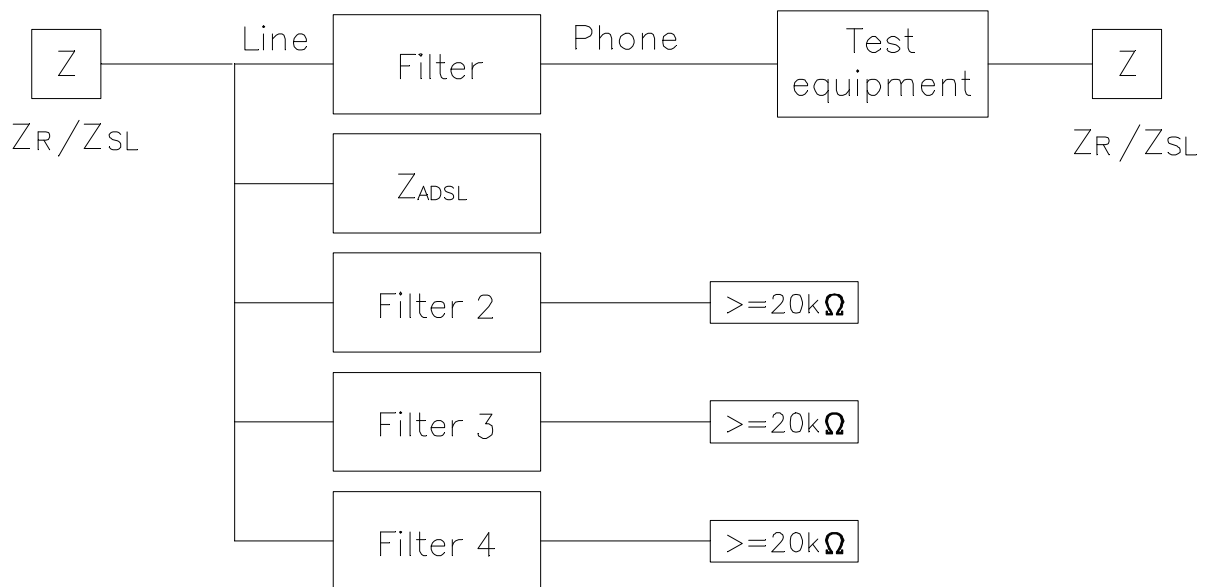
4.5.3 . Return loss from phone side test setup :

Return loss measures the amount of lost energy due to reflection resulted from impedance mismatching at the interface. Return loss is essentially defined as the ratio of the incident power upon a given transmission system to the reflective power caused by impedance mismatch with respect to reference impedance at the interface between source and device. Return loss figure is a function of the impedance of the circuit involved and therefore frequency dependent. These impedance must be closely maintained in order to reduce the possibility of undesirable reflection and echoes which results from long distance circuit of the telephone user and may destroy the data being sent. To perform the return loss test , open ,short and load calibration must be done prior measurement while the LCZ impedance analyzer being selected in impedance mode. Return loss is general expressed in decibels.

General return loss equation is listed: Return loss = $20 \log \left| \frac{Z_L + Z_M}{Z_L - Z_M} \right|$ dB

Where Z_L = the reference impedance Z_M = the measured impedance

The test setup is shown in drawing below:



NOTE :

$Z_{SL} : = 82 \text{ ohm} + (600 \text{ ohm} // 68\text{nf})$

Note : $Z_R = 270 \text{ ohm} + (750 \text{ ohm} // 150\text{nf})$

5. Environmental condition:

5.1. Resistibility to overvoltages and overcurrents:

The splitter has to comply with requirements as per ITU-T K.21.

5.2. Climatic conditions:

5.2.1. Operating temperature:

Application indoor
Long time operation guarantee temperature (5 to 40 °C)
Short time operation guarantee temperature (0 to 50 °C)
(According to ETS 300 019, class 3.2)

5.2.2. Storage and transport:

Low ambient temperature - 20 °C
High ambient temperature +85 °C
(According to MIL-STD-202 method 107)

5.2.3. Operation humidity:

Long time operation guarantee humidity (5 to 85 %)
Short time operation guarantee humidity (5 to 90 %)
Short time : within 72 continuous hours and 15 days in a year

6. Reliability conditions:

6.1. Thermal shock :

Temperature from -20 °C to +85 °C for 5 cycles
(According to MIL-STD-202 , method 107)

6.2. Temperature humidity exposure :

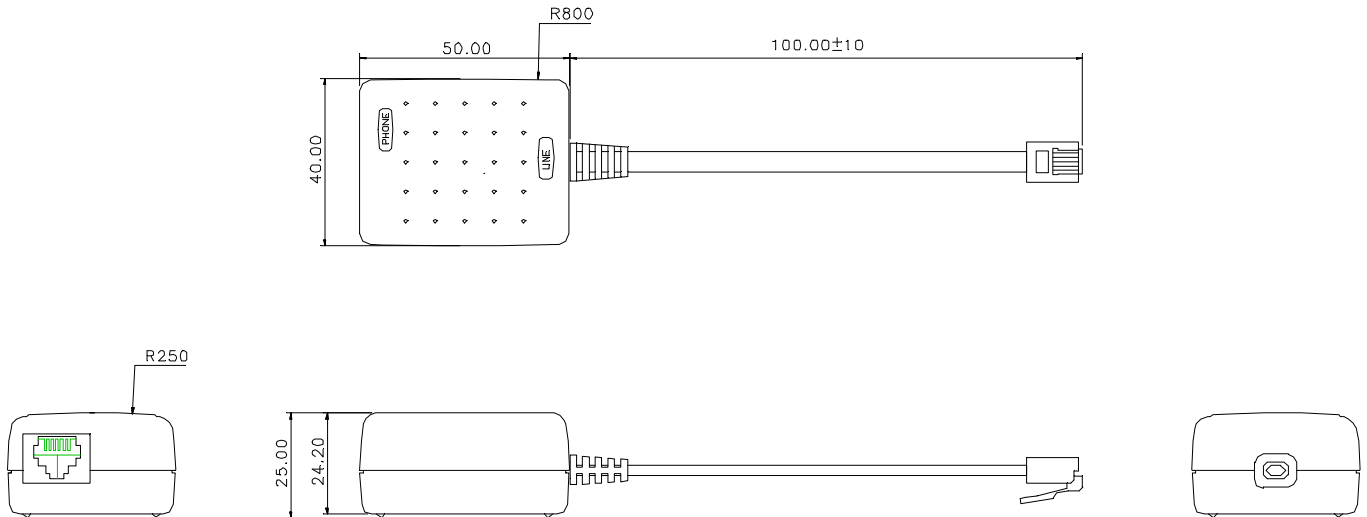
+50 °C /95RH , 96hrs
(According to MIL-STD-202 , method 103)

6.3. Vibration test :

Random vibration , frequency 5-500Hz , sweep time :1 hr / axis /
Force : 2.4grams (According to MIL-STD-202 , method 204)

7. Mechanical condition:

7.1. Dimension :



TOLERANCES	
.	±0.5
.X	±0.2
.XX	±0.10

Note:

Unit : mm

7.2. Connector information:

Position	Type	Tip	Ring
Phone	RJ11 Jack	3	4
Line	RJ11 Plug	3	4