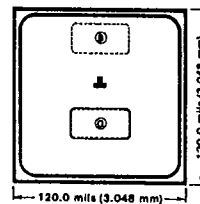


N-Channel Enhancement-Mode Power Field-Effect Transistor Chip

50 V, 15 A, 0.14 Ω

Features:

- **Contact metallization:**
Gate and source-aluminum
Drain-tri-metal (Al-Ti-Ni)
- **Assembly recommendations:**
Gate and source-10-mil aluminum wire
Drain-mounted with 95/5 lead-tin solder
- **Die Number-09522**
- **Device types that are derived
from PCF15N05L-**
RFM15N05L RFP15N05L
RFM15N06L RFP15N06L



ATTACH AREAS: 92CB-36990
 (S) Source } 0.020" x 0.040" (0.508 mm x 1.016 mm)
 (G) Gate }
 Back Side - Drain
 DIE THICKNESS - 14 ± 1 mils (0.356 ± 0.025 mm)

CHIP LAYOUT

www.DataSheet4U.com

DataSheet4U.com

Electrical Characteristics at 25°C

The chip is 100% probed to the actual conditions and limits specified.

Characteristic	Test Conditions	Limits		Units
		PCF15N05L		
		Min.	Max.	
BV_{DSS}	$I_D=1\text{ mA}$ $V_{GS}=0$	50	—	V
$V_{GS(TH)}$	$V_{GS}=V_{DS}$ $I_D=1\text{ mA}$	1	2	V
I_{DSS}	$V_{DS}=40\text{ V}$	—	1	μA
I_{GSS}	$V_{GS}=\pm 10\text{ V}$ $V_{DS}=0$	—	100	nA
$V_{DS(ON)}^a$	$I_D=7.5\text{ A}$ $V_{GS}=5\text{ V}$	—	1.05	V
g_{fs}^a	$V_{DS}=10\text{ V}$ $I_D=7.5\text{ A}$	2	—	

^aPulsed; pulse duration=300 μs max., duty factor=2%.

DataSheet4U.com

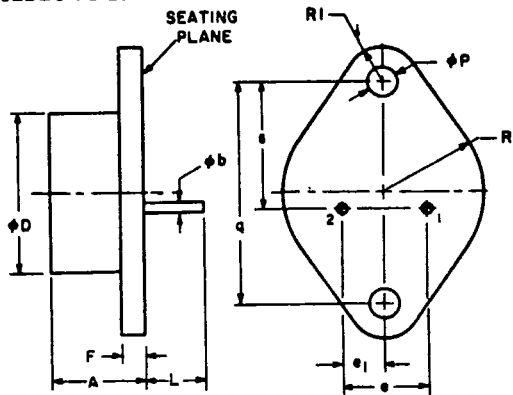
www.DataSheet4U.com

www.DataSheet4U.com

DataSheet4U.com

Dimensional Outlines

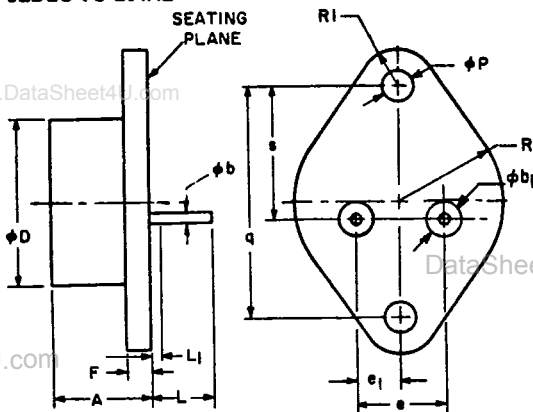
JEDEC TO-204AA



SYMBOL	INCHES		MILLIMETERS		NOTE
	MIN.	MAX.	MIN.	MAX.	
A	0.250	0.450	6.4	11.4	
ϕb	0.038	0.043	0.968	1.092	
ϕD	—	0.875	—	22.22	
e	0.420	0.440	10.67	11.17	
e_1	0.205	0.225	5.21	5.71	
F	—	0.135	—	3.42	
L	0.312	—	7.93	—	
ϕP	0.151	0.161	3.84	4.08	
q	1.187 BSC		30.15 BSC		
R	—	0.525	—	13.33	
R_1	—	0.188	—	4.77	
s	0.655	0.675	16.64	17.14	

92CS-37249R1

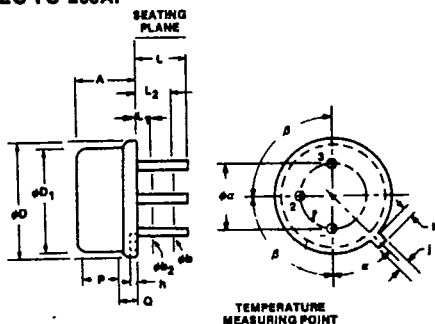
JEDEC TO-204AE



SYMBOL	INCHES		MILLIMETERS		NOTES
	MIN.	MAX.	MIN.	MAX.	
A	0.250	0.450	6.4	11.4	
ϕb	0.057	0.063	1.45	1.60	
ϕb_1	0.141 NOM		3.58 NOM		
ϕD_2	—	0.875	—	22.22	
e	0.420	0.440	10.67	11.17	
e_1	0.205	0.225	5.21	5.71	
F	0.060	0.135	1.53	3.42	
L	0.440	0.460	11.18	12.19	
ϕP	0.151	0.161	3.84	4.08	
q	1.187 BSC		30.15 BSC		
R	0.495	0.525	12.58	13.33	
R_1	0.131	0.168	3.33	4.77	
s	0.655	0.675	16.64	17.14	

92CS-37523

JEDEC TO-205AF



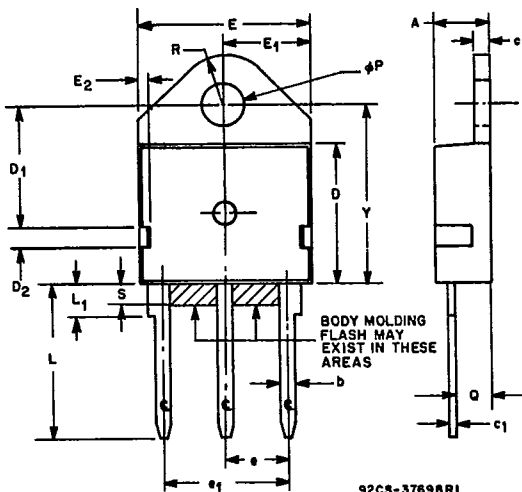
Notes:

1. Dimension k measured from ϕD maximum.
2. ϕD_1 shall not vary more than 0.010 in Zone P. This zone controlled for automatic handling.
3. Details of outline in this zone optional.
4. Leads at gauge plane 0.054-0.055 below seating plane shall be within 0.007 radius of positional tolerance at MMC relative to tab at MMC. Device may be measured by direct methods or by gauge and gauging procedure described on JEDEC gauge drawing GS-1.
5. ϕb_2 applies between L_1 and L_2 . ϕb applies between L_2 and L minimum. Diameter is uncontrolled in L_1 and beyond L minimum.

SYMBOL	INCHES		MILLIMETERS		NOTES
	MIN.	MAX.	MIN.	MAX.	
ϕa	0.200 BSC		5.08 BSC		4
A	0.160	0.180	4.07	4.57	
ϕb	0.016	0.021	0.41	0.53	5
ϕb_2	0.016	0.019	0.41	0.48	5
ϕD	0.340	0.370	8.64	9.39	
ϕD_1	0.315	0.355	8.01	9.01	2
h	0.009	0.041	0.23	1.04	
j	0.028	0.034	0.72	0.86	
k	0.029	0.045	0.74	1.14	1
L	0.500	0.750	12.70	19.05	5
L_1	—	0.050	—	1.27	5
L_2	0.250	—	6.35	—	5
P	0.070	—	—	1.78	3
Q	—	0.050	—	1.27	3
α	45° NOMINAL				
β	80° NOMINAL				

92CS-36246R1

JEDEC TO-218AC



SYMBOL	INCHES		MILLIMETERS		NOTES
	MIN.	MAX.	MIN.	MAX.	
A	.165	.200	4.191	5.080	1
b	.040	.063	1.016	1.600	
c	.053	.065	1.346	1.651	
c1	.018	.030	.457	.762	
D	.485	.505	12.319	12.827	
D1	.395	.415	10.033	10.541	
D2	.070	.090	1.778	2.286	
E	.610	.640	15.494	16.256	
E1	.305	.320	7.747	8.128	
E2	.040	.060	1.016	1.524	
e	.205	.225	5.207	5.715	
e1	.420	.440	10.688	11.176	
L	.500	.610	12.700	15.494	
L1	—	.125	—	3.175	
ϕP	.157	.167	3.988	4.241	
Q	.094	.126	2.388	3.200	
R	.170	.190	4.318	4.826	
S	—	0.60	—	1.524	
Y	.626	.670	15.900	17.018	

92CS-37698R1

Notes: U.com

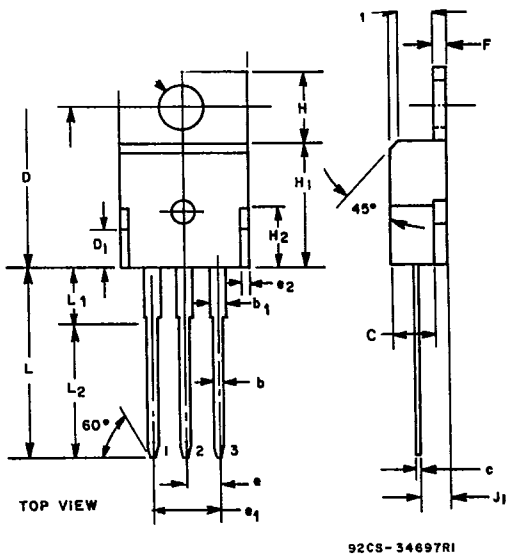
1: Tab outline optional within boundaries of dimensions E and R.

2: Lead dimensions uncontrolled in L1.

3: Controlling dimensions: inch.

DataSheet4U.com

JEDEC TO-220AB



SYMBOL	INCHES		MILLIMETERS	
	MIN.	MAX.	MIN.	MAX.
A	0.140	0.190	3.56	4.82
A1	0.080	0.085	2.03	2.16
b	0.020	0.045	0.51	1.14
b1	0.045	0.070	1.14	1.77
C	—	0.125	—	3.18
c	0.015	0.025	0.38	0.63
D	0.560	0.625	14.23	15.87
D1	—	0.100	—	2.54
E	0.380	0.420	9.66	10.66
e	0.090	0.110	2.29	2.79
e1	0.190	0.210	4.83	5.33
e2	—	0.030	—	0.76
F	0.045	0.055	1.14	1.39
H	0.230	0.270	5.85	6.85
H1	0.355	0.370	9.02	9.40
H2	—	0.160	—	4.06
J1	0.080	0.115	2.04	2.92
L	0.500	0.562	12.70	14.27
L1	—	0.250	—	6.35
L2	0.400	0.410	10.16	10.41
ϕP	0.139	0.161	3.531	4.089
Q	0.100	0.120	2.54	3.04

NOTES:

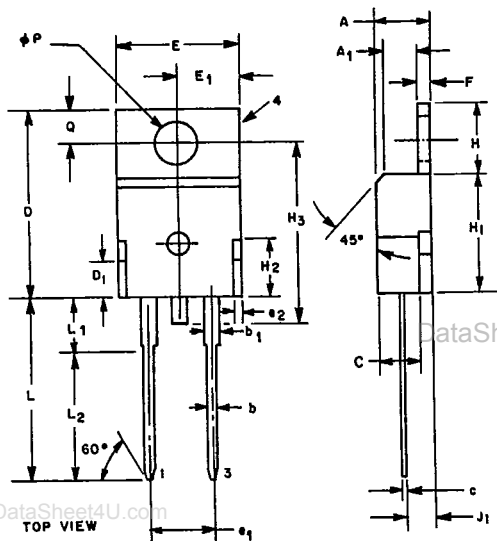
1. Position of lead to be measured 0.250-0.255 in.

(6.350-6.477 mm) from case.

www.DataSheet4U.com

92CS-34697R1

JEDEC TO-220AC



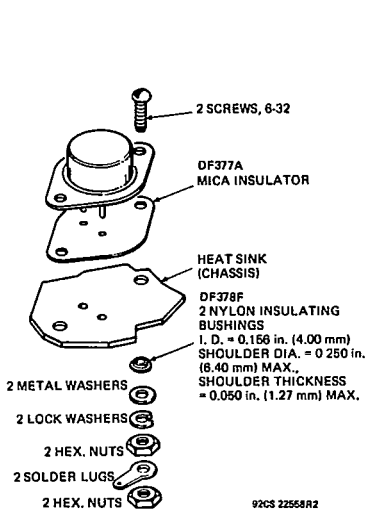
DataSheet4U.com

SYMBOL	INCHES		MILLIMETERS	
	MIN.	MAX.	MIN.	MAX.
A	0.140	0.190	3.56	4.82
A ₁	0.080	0.085	2.03	2.16
b	0.020	0.045	0.51	1.14
b ₁	0.045	0.070	1.14	1.77
C	—	0.125	—	3.18
c	0.015	0.025	0.38	0.63
D	0.560	0.625	14.23	15.87
D ₁	—	0.100	—	2.54
E	0.380	0.420	9.66	10.66
e ₁	0.190	0.210	4.83	5.33
e ₂	—	0.030	—	0.76
F	0.045	0.055	1.14	1.39
H	0.230	0.270	5.85	6.85
H ₁	0.355	0.370	9.02	9.40
H ₂	—	0.160	—	4.06
H ₃	—	0.600	—	15.24
J ₁	0.080	0.115	2.04	2.92
L	0.500	0.562	12.70	14.27
L ₁	—	0.250	—	6.35
L ₂	0.400	0.410	10.16	10.41
ϕP	0.139	0.161	3.531	4.089
Q	0.100	0.120	2.54	3.04

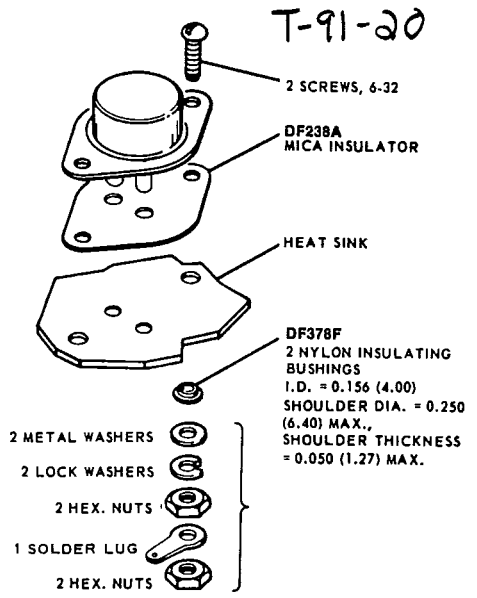
NOTES:

1. Position of lead to be measured 0.250-0.255 in. (6.350-6.477 mm) from case.

92CS-34830R1



NOTE: MAXIMUM TORQUE APPLIED TO MOUNTING FLANGE IS 12 in.-lbs. (0.14 kgf-m)



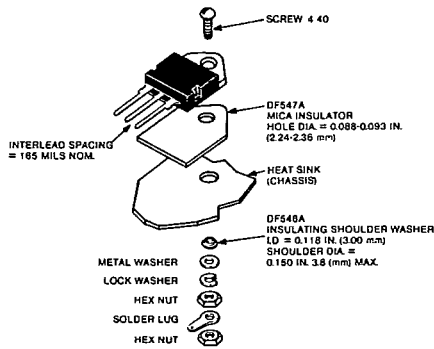
DataSheet4U.com

Suggested mounting hardware for JEDEC TO-204AA (formerly JEDEC TO-3)

Suggested mounting hardware for JEDEC TO-204AE (formerly JEDEC TO-3)

et4U.com

DataShe

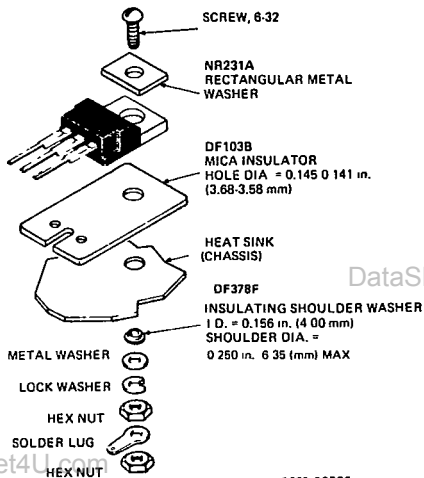


DataSheet4U.com

www.DataSheet4U.com

www.DataSheet4U.com

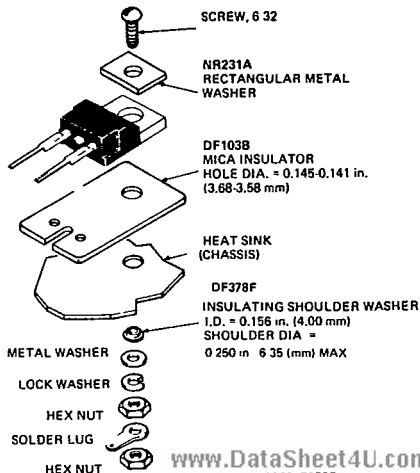
Suggested mounting hardware for JEDEC TO-218AC



92CS-39586

NOTE: MAXIMUM TORQUE APPLIED TO MOUNTING
 FLANGE IS 8 in. lb. (0.09 kgf m)

Suggested mounting hardware for JEDEC TO-220AB



www.DataSheet4U.com
 92CS-39587

NOTE: MAXIMUM TORQUE APPLIED TO MOUNTING
 FLANGE IS 8 in. lb. (0.09 kgf m)

Suggested mounting hardware for JEDEC TO-220AC