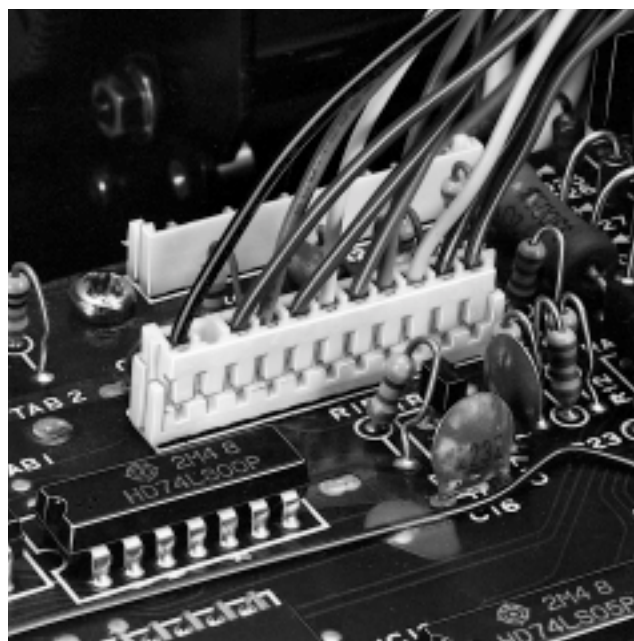
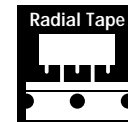
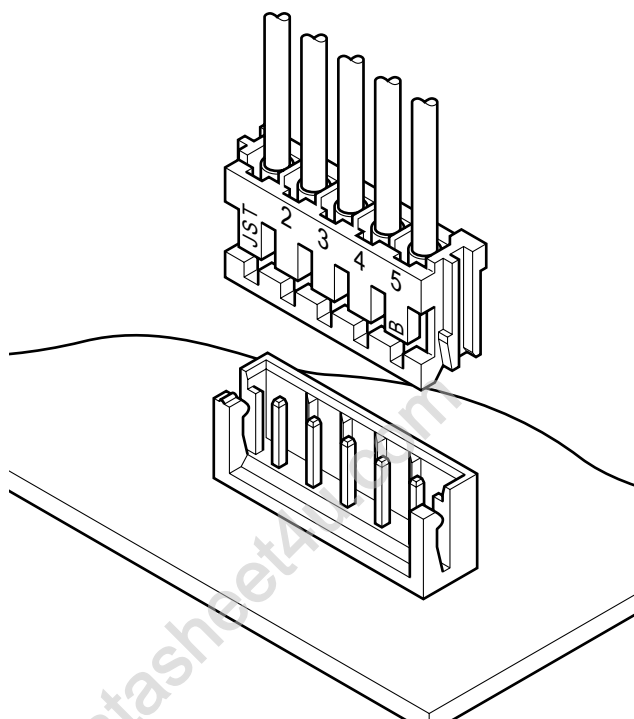


# EH CONNECTOR

Disconnectable Crimp style connectors



**This, the thinnest, 2.5mm (.098") pitch connector, is 8.1mm (.319") in height after mounting and 3.8mm (.150") in width. It is designed to meet the demand for the high-density connection of internal wires to printed circuit boards. It is compact, highly reliable and low in cost.**



## Features

### • Compact and slim

This connector is designed to be compact and unusually thin. It measures only 8.1mm (.319") high after mounting and is just 3.8mm (.150") wide.

### • Highly reliable contact

The contact has long dimples near the center that ensure continuity of low voltage and low current circuits at all times, even under conditions of vibration and abusive prying.

### • Polarizing guides

The header and housing have guides to prevent improper mating.

### • Whisker prevention

The contact material is treated with a reflow process, and the square post is copper-undercoated and tin/lead-plated for whisker prevention.

### • Easy and effective crimping

Although the contact is compact, it has a long wire strip length,  $2.6 \pm 0.4\text{mm}$  (.102"  $\pm$  .016"). This long length is very useful for automatic crimping and when crimping shielded wires.

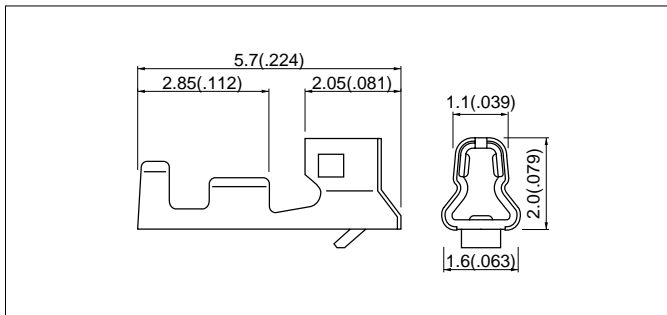
## Specifications

- Current rating: 3A AC, DC (AWG#22)
  - Voltage rating: 250V AC, DC
  - Temperature range: -25°C to +85°C  
(including temperature rise in applying electrical current)
  - Contact resistance: Initial value/10m  $\Omega$  max.  
After environmental testing/20m  $\Omega$  max.
  - Insulation resistance: 1,000M  $\Omega$  min.
  - Withstanding voltage: 800V AC/minute
  - Applicable wire: AWG #32 to #22
  - Applicable PC board thickness: 0.8 to 1.6mm (.031" to .063")
- \* Contact JST for details.

## Standards

- Recognized E60389
- 1 Certified LR20812
- 2 R75089

## Contact



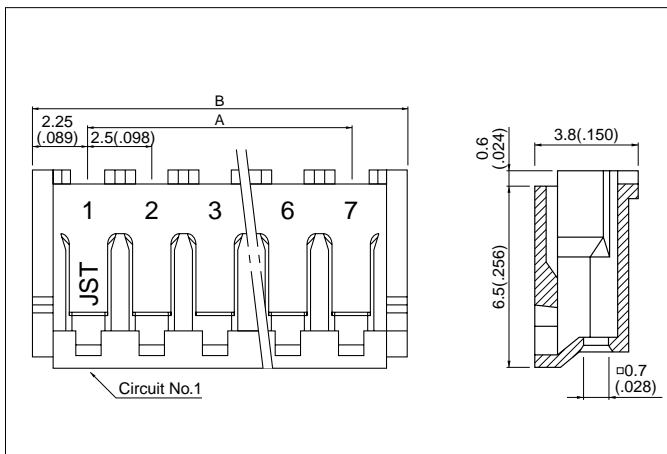
Model No.	Applicable wire			Q'ty / reel
	mm <sup>2</sup>	AWG #	Insulation O.D. mm(in.)	
<b>SEH-001T-P0.6</b>	0.05 to 0.3	30 to 22	1.0 to 1.9(.039 to .075)	10,000
<b>SEH-003T-P0.6L</b>	0.032 to 0.08	32 to 28	0.5 to 1.1(.020 to .043)	

### Material and Finish

Phosphor bronze, tin-plated

Note: 1. Contact JST for gold-plated contacts.  
2. SEH-003T-P0.6L is not TÜV approved.

## Housing



Circuits	Model No.	Dimensions mm(in.)		Q'ty / bag
		A	B	
2	<b>EHR- 2</b>	2.5( .098)	7.0( .276)	1,000
3	<b>EHR- 3</b>	5.0( .197)	9.5( .374)	1,000
4	<b>EHR- 4</b>	7.5( .295)	12.0( .472)	1,000
5	<b>EHR- 5</b>	10.0( .394)	14.5( .571)	1,000
6	<b>EHR- 6</b>	12.5( .492)	17.0( .669)	1,000
7	<b>EHR- 7</b>	15.0( .591)	19.5( .768)	1,000
8	<b>EHR- 8</b>	17.5( .689)	22.0( .866)	1,000
9	<b>EHR- 9</b>	20.0( .787)	24.5( .965)	1,000
10	<b>EHR-10</b>	22.5( .866)	27.0(1.063)	1,000
11	<b>EHR-11</b>	25.0( .984)	29.5(1.161)	1,000
12	<b>EHR-12</b>	27.5(1.083)	32.0(1.260)	1,000
13	<b>EHR-13</b>	30.0(1.181)	34.5(1.358)	1,000
14	<b>EHR-14</b>	32.5(1.280)	37.0(1.457)	1,000
15	<b>EHR-15</b>	35.0(1.378)	39.5(1.555)	1,000

### Material

Nylon 66, UL94V-0, natural (white)

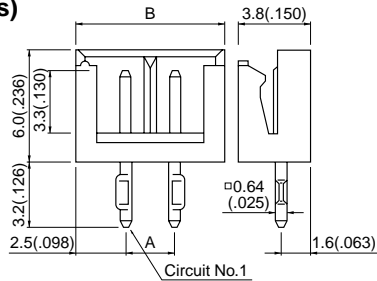
# EH CONNECTOR

## Shrouded header

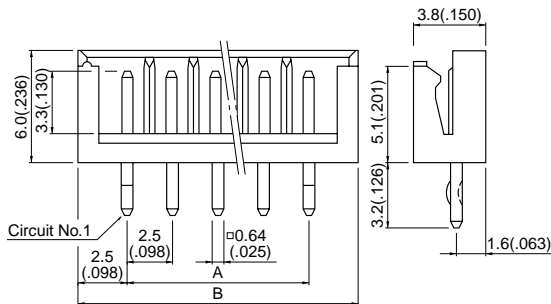
The shrouded headers are interchangeable with those of the HR crimp style and insulation displacement connectors.

### Top entry type

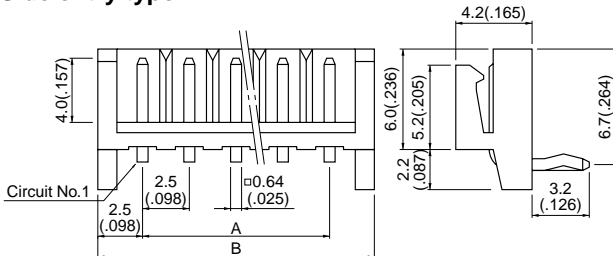
(2 circuits)



(3 to 15 circuits)



### Side entry type



Circuits	Model No.		Dimensions mm.(in)		Qty / box	
	Top entry type	Side entry type	A	B	Top entry type	Side entry type
2	<b>B 2B-EH-A</b>	<b>S 2B-EH</b>	2.5( .098)	7.5( .295)	1,000	1,000
3	<b>B 3B-EH-A</b>	<b>S 3B-EH</b>	5.0( .197)	10.0( .394)	1,000	1,000
4	<b>B 4B-EH-A</b>	<b>S 4B-EH</b>	7.5( .295)	12.5( .492)	1,000	1,000
5	<b>B 5B-EH-A</b>	<b>S 5B-EH</b>	10.0( .394)	15.0( .591)	1,000	1,000
6	<b>B 6B-EH-A</b>	<b>S 6B-EH</b>	12.5( .492)	17.5( .689)	1,000	500
7	<b>B 7B-EH-A</b>	<b>S 7B-EH</b>	15.0( .591)	20.0( .787)	1,000	500
8	<b>B 8B-EH-A</b>	<b>S 8B-EH</b>	17.5( .689)	22.5( .886)	500	500
9	<b>B 9B-EH-A</b>	<b>S 9B-EH</b>	20.0( .787)	25.0( .984)	500	500
10	<b>B10B-EH-A</b>	<b>S10B-EH</b>	22.5( .886)	27.5(1.083)	500	500
11	<b>B11B-EH-A</b>	<b>S11B-EH</b>	25.0( .984)	30.0(1.181)	500	250
12	<b>B12B-EH-A</b>	<b>S12B-EH</b>	27.5(1.083)	32.5(1.280)	500	250
13	<b>B13B-EH-A</b>	<b>S13B-EH</b>	30.0(1.181)	35.0(1.378)	250	250
14	<b>B14B-EH-A</b>	<b>S14B-EH</b>	32.5(1.280)	37.5(1.476)	250	250
15	<b>B15B-EH-A</b>	<b>S15B-EH</b>	35.0(1.378)	40.0(1.575)	250	250

### Material and Finish

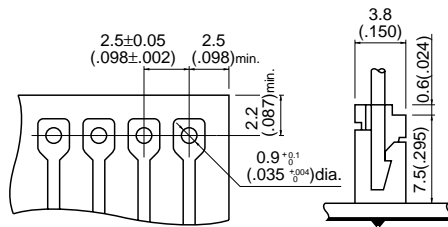
Post: Brass, copper-undercoated, tin/lead plated  
Wafer: Nylon 66, UL94V-0, natural (white)

### Note:

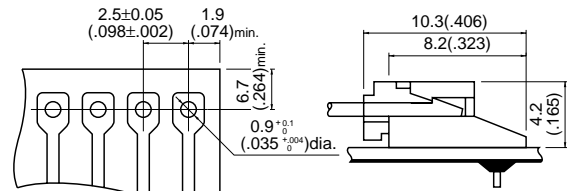
- Also available and identified as model BxxB-EH is a top entry type having a post extension length of 4.0mm(.157")
- Top entry type headers are not TÜV approved.

## PC board layout (viewed from soldering side) and Assembly layout

### Top entry type



### Side entry type



### Note:

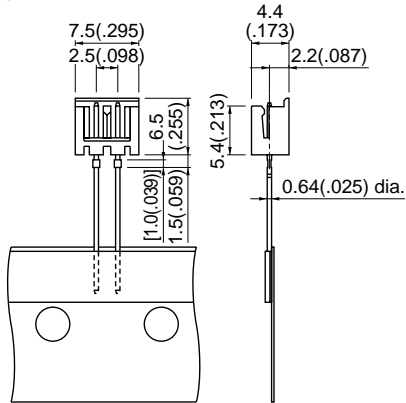
- Tolerances are non-cumulative:  $\pm 0.05\text{mm}(\pm .002")$  for all centers.
- Hole dimension differ according to the kind of PC board and piercing method. If PC boards made of hard material such as FR-4 are used, the hole dimensions should be larger. The dimensions above should serve as a guideline. Contact JST for details.

## Shrouded header on radial-tape

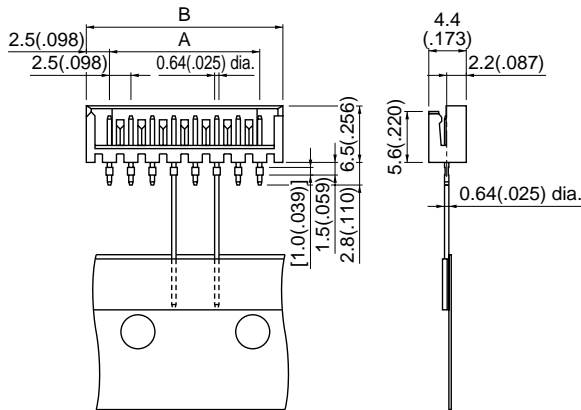
<Taping specifications conform to EIAJ-RC-1008B and JIS C0805.>

- The shrouded headers are interchangeable with those of the HR crimp style and insulation displacement connectors .
- Shrouded headers on radial-tape are not TÜV approved.

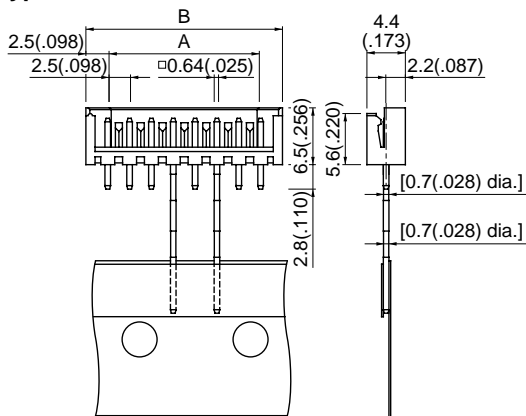
### TS type (2 circuits)



### (3 to 8 circuits)



### TV4 type



Cir- cuits	Model No.	Dimensions mm(in.)		Q'ty / box
		A	B	
2	<b>B2B-EH-TS</b>	-	-	1,400
3	<b>B3B-EH-TS</b>	5.0(.197)	10.0(.394)	1,400
4	<b>B4B-EH-TS</b>	7.5(.295)	12.5(.492)	700
5	<b>B5B-EH-TS</b>	10.0(.394)	15.0(.591)	700
6	<b>B6B-EH-TS</b>	12.5(.492)	17.5(.689)	700
7	<b>B7B-EH-TS</b>	15.0(.591)	20.0(.787)	700
8	<b>B8B-EH-TS</b>	17.5(.689)	22.5(.886)	700

#### Material and Finish

Pin: Brass, copper-undercoated, tin/lead-plated  
Wafer: Nylon 66, UL94V-0, natural (white)

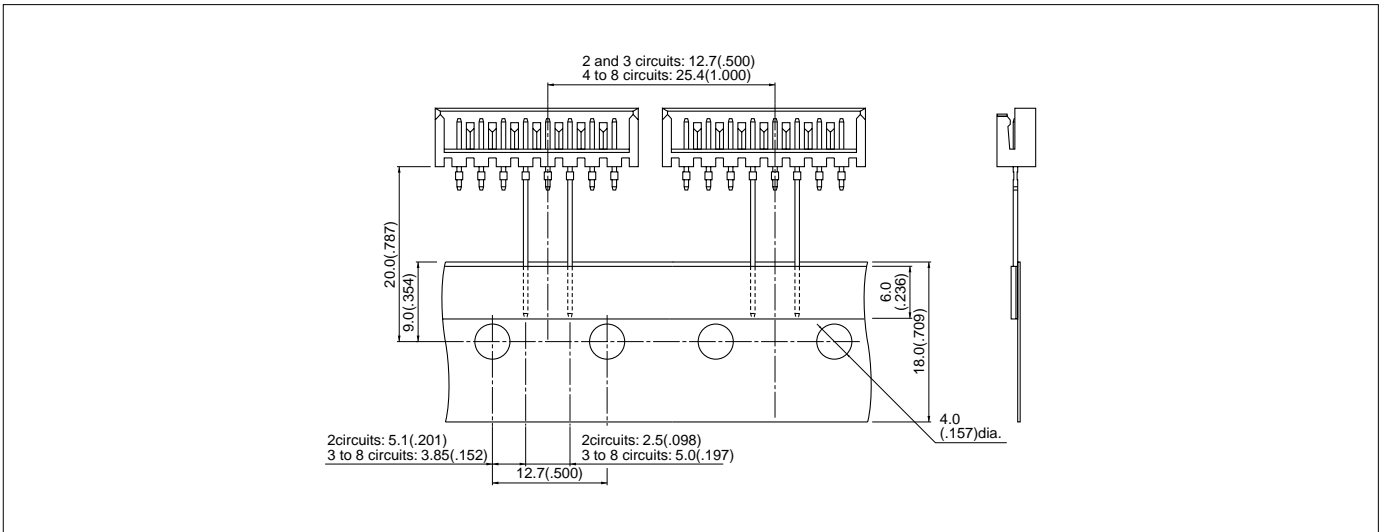
Cir- cuits	Model No.	Dimensions mm(in.)		Q'ty / box
		A	B	
3	<b>B3B-EH-TV4</b>	5.0(.197)	10.0(.394)	1,400
4	<b>B4B-EH-TV4</b>	7.5(.295)	12.5(.492)	700
5	<b>B5B-EH-TV4</b>	10.0(.394)	15.0(.591)	700
6	<b>B6B-EH-TV4</b>	12.5(.492)	17.5(.689)	700
7	<b>B7B-EH-TV4</b>	15.0(.591)	20.0(.787)	700
8	<b>B8B-EH-TV4</b>	17.5(.689)	22.5(.886)	700

#### Material and Finish

Post: Brass, copper-undercoated, tin/lead-plated  
Wafer: Nylon 66, UL94V-0, natural (white)

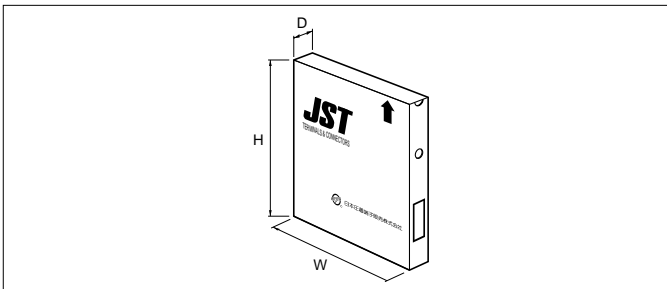
# EH CONNECTOR

## Taping specifications

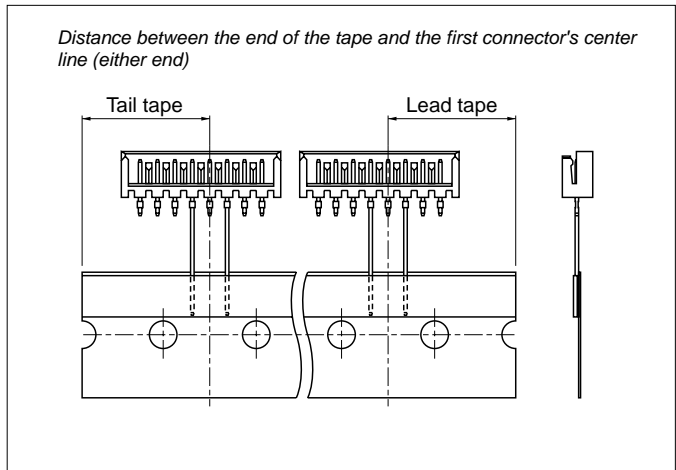


Note: Conforms to JIS C0825.

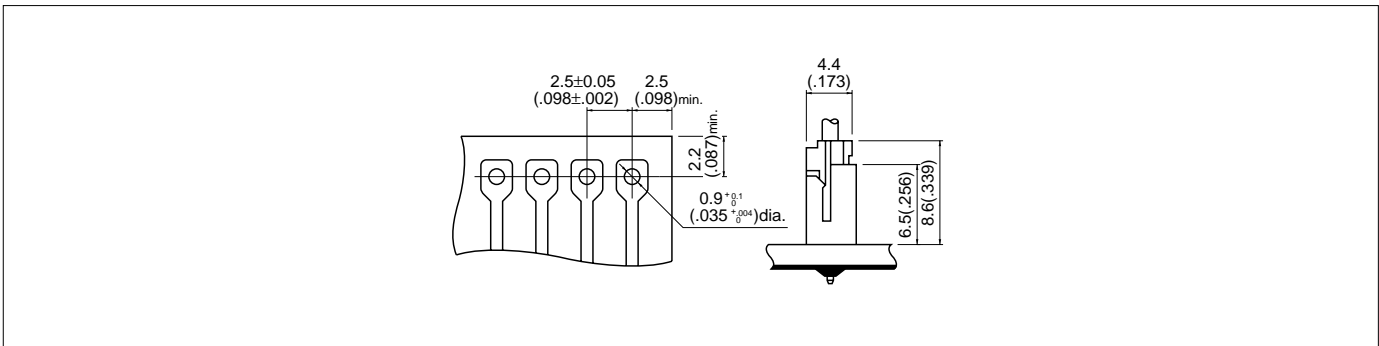
## Packaging specifications



Package type	Flat pack (zigzag folded)
Distance between folds	24 indexing holes per fold (304.8mm/12")
Box size	(316x45x330mm)12.4"(W)x1.8"(D) x13.0"(H)
Distance between the end of the tape and the first connector's center line (either end)	19.05mm(.750")



## PC board layout (viewed from soldering side) and Assembly layout



Note:

1. Tolerances are non-cumulative: ±0.05mm(±.002") for all centers.

2. Hole dimension differ according to the kind of PC board and piercing method. If PC boards made of hard material such as FR-4 are used, the hole dimensions should be larger. The dimensions above should serve as a guideline. Contact JST for details.