

**PLEASE CHECK WWW.MOLEX.COM FOR LATEST PART INFORMATION**

**Part Number:** [0533132665](#)  
**Status:** **Active**  
**Description:** 2.00mm (.079") Pitch Mi II™ System Wire-to-Board Header, Dual Row, Vertical, Lead-free, 26 Circuits

**Documents:**

<a href="#">3D Model</a>	<a href="#">Product Specification PS-51160-006 (PDF)</a>
<a href="#">Drawing (PDF)</a>	<a href="#">Product Specification PS-52478-002 (PDF)</a>
<a href="#">Product Specification PS-51089-005 (PDF)</a>	<a href="#">RoHS Certificate of Compliance (PDF)</a>

**Agency Certification**

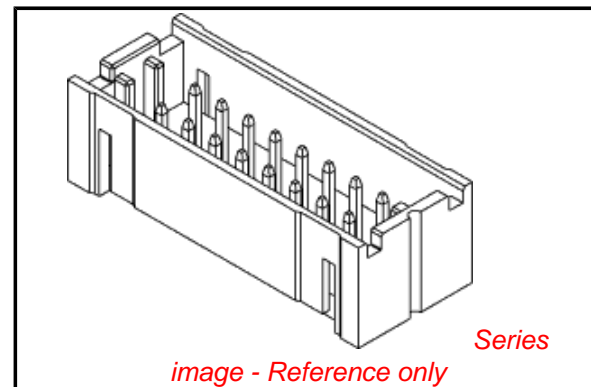
CSA	LR19980
UL	E29179

**General**

Product Family	PCB Headers
Series	<a href="#">53313</a>
Application	Wire-to-Board
Product Name	Mi II™

**Physical**

Breakaway	No
Circuits (Loaded)	26
Circuits (maximum)	26
Color - Resin	Gray
Durability (mating cycles max)	30
First Mate / Last Break	No
Flammability	94V-0
Glow-Wire Compliant	No
Guide to Mating Part	No
Keying to Mating Part	None
Lock to Mating Part	Yes
Material - Metal	Brass
Material - Plating Mating	Tin
Material - Plating Termination	Tin
Material - Resin	Nylon
Number of Rows	2
Orientation	Vertical
PC Tail Length (in)	0.138 In
PC Tail Length (mm)	3.50 mm
PCB Locator	Yes
PCB Retention	Yes
PCB Thickness Recommended (in)	0.062 In
PCB Thickness Recommended (mm)	1.60 mm
Packaging Type	Tray
Pitch - Mating Interface (in)	0.079 In
Pitch - Mating Interface (mm)	2.00 mm
Plating min: Mating (µin)	40
Plating min: Mating (µm)	1.00
Plating min: Termination (µin)	40
Plating min: Termination (µm)	1.00
Polarized to PCB	Yes
Shrouded	Fully
Stackable	No
Surface Mount Compatible (SMC)	No
Temperature Range - Operating	-40°C to +105°C



**EU RoHS**

**ELV and RoHS Compliant**  
**REACH SVHC**  
 Not Reviewed  
**Halogen-Free Status**

**China RoHS**



**Need more information on product environmental compliance?**

Email [productcompliance@molex.com](mailto:productcompliance@molex.com)  
 For a multiple part number RoHS Certificate of Compliance, [click here](#)

Please visit the [Contact Us](#) section for any non-product compliance questions.

**Search Parts in this Series**

[53313Series](#)

**Mates With**

Wire-to-Board IDT Receptacle [52478](#) ,  
[52484](#). [51089](#) Crimp Terminal

Termination Interface: Style

Through Hole

**Electrical**

Current - Maximum per Contact

2A

Voltage - Maximum

125V

**Material Info**

**Reference - Drawing Numbers**

Product Specification

PS-51089-005, PS-51160-006, PS-52478-002,

RPS-51160-005

Sales Drawing

SD-53313-002

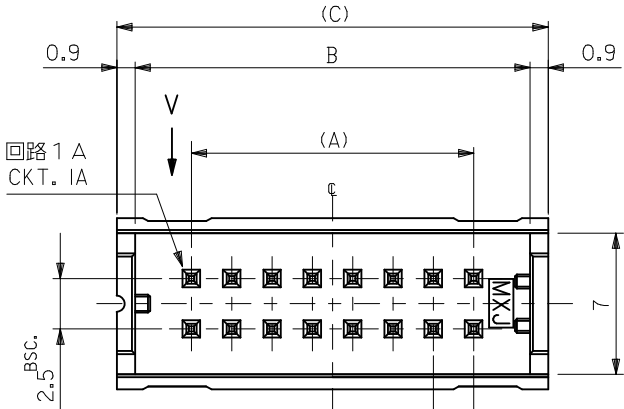
This document was generated on 04/16/2010

**PLEASE CHECK [WWW.MOLEX.COM](http://WWW.MOLEX.COM) FOR LATEST PART INFORMATION**

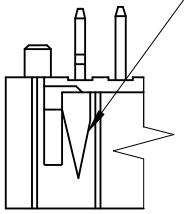
注記  
NOTES

- 材料:  
MATERIALS:  
ウエハー : ホリアミド、ガラス充填、UL94V-0、色: グレー  
WAFER : PA, GLASS FILLED, UL94V-0, COLOR: GRAY  
ピン : 黄銅、スズメッキ  
PIN : BRASS, PRE-TINNED
- 適合メスコネクター : 51089-\*\*\*5, 52478-\*\*\*15, 52484-\*\*\*15  
MATING CONNECTOR  
適合クリップ : 51094-\*\*\*00  
MATING CLIP
- 推奨基板厚 :  
RECOMMENDED PCB THICKNESS : t
- メッキ仕様  
TERMINAL PLATING  
表面メッキ : スズメッキ 1μm MIN.  
SURFACE PLATE : TIN 1μm MIN.  
下地メッキ : ニッケルメッキ 0.5μm MIN.  
UNDER PLATE : NICKEL 0.5μm MIN.
- ELV AND RoHS COMPLIANT.

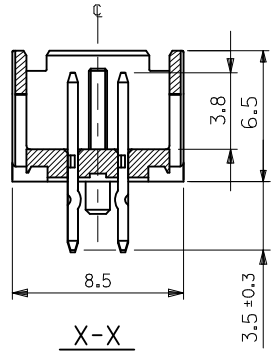
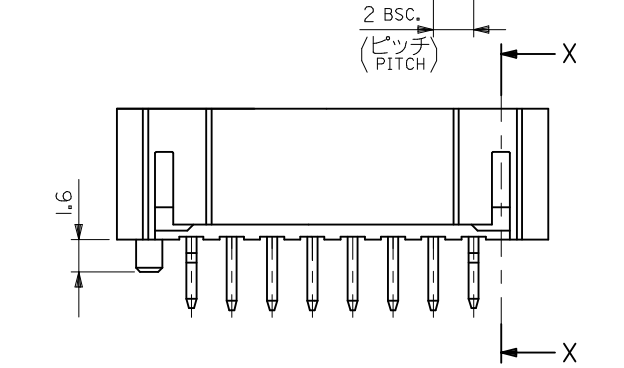
無鉛  
LEAD FREE



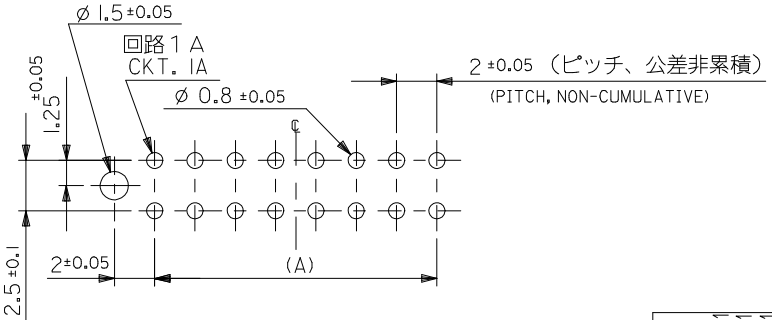
回路1 A表示  
CKT. IA IDENTIFICATION



V



X-X



基板取付穴推奨寸法 (参考)  
RECOMMENDED PCB HOLE DIM.(REF.)

65.4	63.6	58	53313-6065	60
55.4	53.6	48	-5065	50
45.4	43.6	38	-4065	40
39.4	37.6	32	-3465	34
35.4	33.6	28	-3065	30
33.4	31.6	26	-2865	28
31.4	29.6	24	-2665	26
29.4	27.6	22	-2465	24
27.4	25.6	20	-2265	22
25.4	23.6	18	-2065	20
23.4	21.6	16	-1865	18
21.4	19.6	14	-1665	16
19.4	17.6	12	-1465	14
17.4	15.6	10	-1265	12
15.4	13.6	8	-1065	10
13.4	11.6	6	-0865	8
11.4	9.6	4	53313-0665	6
(C)	B	A	TRAY PACKAGE	CKT.
			ORDER NO.	

REVISED EC NO.: J2010-0349 DRWN:TKON 2009/08/31 CHKD:KASAKAWA 2009/08/31 APPR:NUKITA 2009/08/31	GENERAL TOLERANCES (UNLESS SPECIFIED)		DIMENSION STYLE MM ONLY	SCALE 4:1	DESIGN UNITS METRIC	THIRD ANGLE PROJECTION
	10 UNDER	±0.2	DRAWN BY A. IDA	DATE 2003/05/07	TITLE 2.0 W/B DUAL ROW S/T HEADER ASSY	
	10 OVER 30 UNDER	±0.25	CHECKED BY J. MIYAZAWA	DATE 2003/05/07	MOLEX INCORPORATED	
	30 OVER	±0.3	APPROVED BY Y. ITO	DATE 2003/05/07	DOCUMENT NO. SD-53313-002	SHEET NO. 1 OF 1
REV	DESCRIPTION	ANGULAR ±3° DRAFT WHERE APPLICABLE MUST REMAIN WITHIN DIMENSIONS	MATERIAL NO. SEE CHART	THIS DRAWING CONTAINS INFORMATION THAT IS PROPRIETARY TO MOLEX INCORPORATED AND SHOULD NOT BE USED WITHOUT WRITTEN PERMISSION		

MATERIAL 材料  
注記参照  
SEE NOTES