

**PLEASE CHECK WWW.MOLEX.COM FOR LATEST PART INFORMATION**

**Part Number:** [0441500032](#)  
**Status:** **Active**  
**Overview:** [modular\\_plugs\\_jacks](#)  
**Description:** Modular Jack, Right Angle, Low Profile, 8/8, 8 Ports

**Documents:**

[3D Model](#) [Product Specification PS-44050-003 \(PDF\)](#)  
[Drawing \(PDF\)](#) [RoHS Certificate of Compliance \(PDF\)](#)

**Agency Certification**

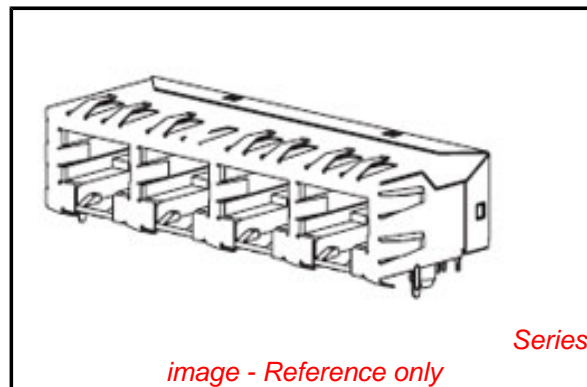
CSA LR19980  
 UL E107635

**General**

Product Family Modular Jacks/Plugs  
 Series [44150](#)  
 Component Type PCB Jack  
 Magnetic No  
 Overview [modular\\_plugs\\_jacks](#)  
 Performance Category 5e  
 Power over Ethernet (PoE) N/A  
 Product Name RJ45

**Physical**

Boot Color N/A  
 Color - Resin Black  
 Durability (mating cycles max) 500  
 Flammability 94V-0  
 Inverted / Top Latch No  
 Keying to Mating Part None  
 Lightpipes/LEDs None  
 Material - Metal Brass, Phosphor Bronze  
 Material - Plating Mating Gold  
 Material - Plating Termination Tin  
 Material - Resin Nylon  
 Orientation Right Angle (Side Entry)  
 PCB Locator Yes  
 PCB Retention Yes  
 PCB Thickness Recommended (in) 0.062 In  
 PCB Thickness Recommended (mm) 1.57 mm  
 Packaging Type Tray  
 Panel Mount Without Flange  
 Pitch - Mating Interface (in) 0.040 In  
 Pitch - Mating Interface (mm) 1.02 mm  
 Pitch - Term. Interface (in) 0.050 In  
 Pitch - Term. Interface (mm) 1.27 mm  
 Plating min: Mating (µin) 50  
 Plating min: Mating (µm) 1.25  
 Plating min: Termination (µin) 100  
 Plating min: Termination (µm) 2.5  
 Ports 8  
 Positions / Loaded Contacts 8/8  
 Surface Mount Compatible (SMC) No  
 Temperature Range - Operating -40°C to +85°C  
 Termination Interface: Style Through Hole  
 Waterproof / Dustproof No



**EU RoHS**

**ELV and RoHS  
 Compliant**  
**REACH SVHC**  
 Not Reviewed  
**Halogen-Free  
 Status**  
**Not Reviewed**

**China RoHS**



**Need more information on product  
 environmental compliance?**

Email [productcompliance@molex.com](mailto:productcompliance@molex.com)  
 For a multiple part number RoHS Certificate of  
 Compliance, [click here](#)

Please visit the [Contact Us](#) section for any  
 non-product compliance questions.

**Search Parts in this Series**

[44150Series](#)

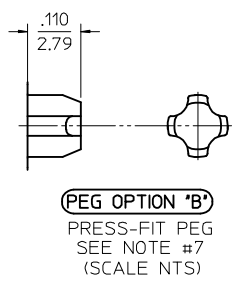
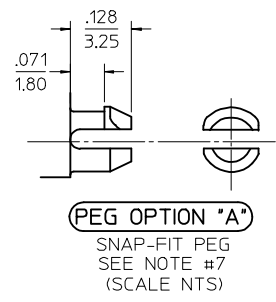
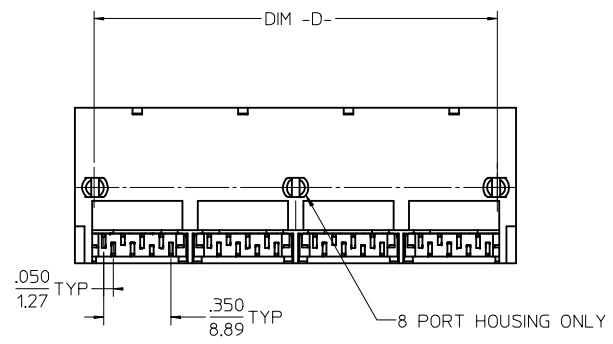
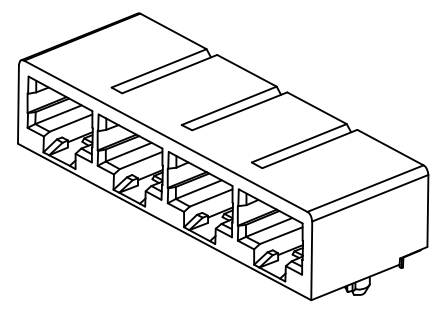
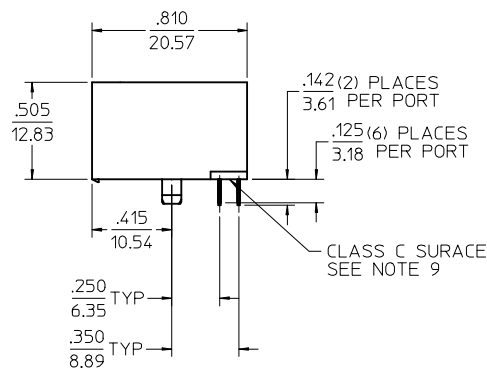
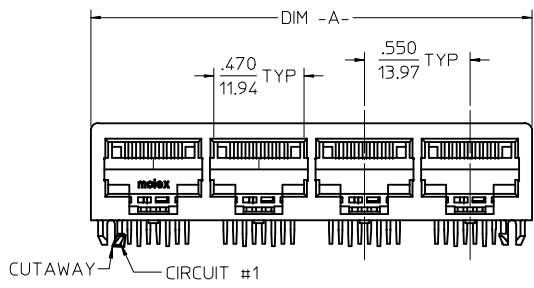
**Mates With**

FCC 68 Plugs

Wire/Cable Type	N/A
<b>Electrical</b>	
Current - Maximum per Contact	1.5A
Grounding to PCB	Yes
Grounding to Panel	With All Panel Grounding Tabs
Shielded	Yes
Voltage - Maximum	150V AC (RMS)
<b>Solder Process Data</b>	
Lead-free Process Capability	Wave Capable (TH only)
<b>Material Info</b>	
<b>Reference - Drawing Numbers</b>	
Packaging Specification	PK-44150-004
Product Specification	PS-44050-003
Sales Drawing	SD-44150-002
Test Summary	TS-44050-001

This document was generated on 06/07/2010

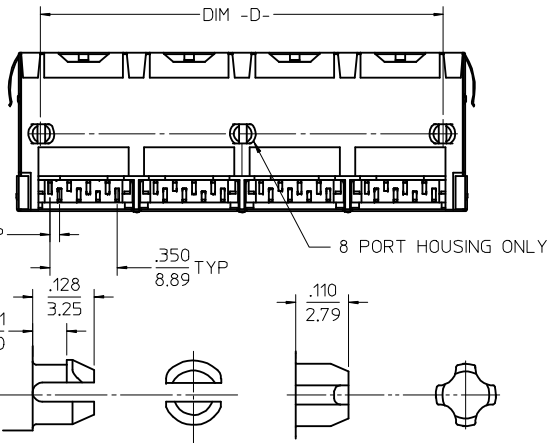
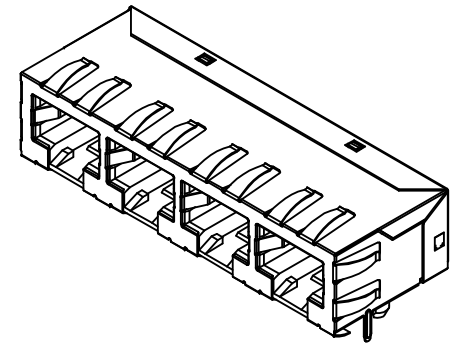
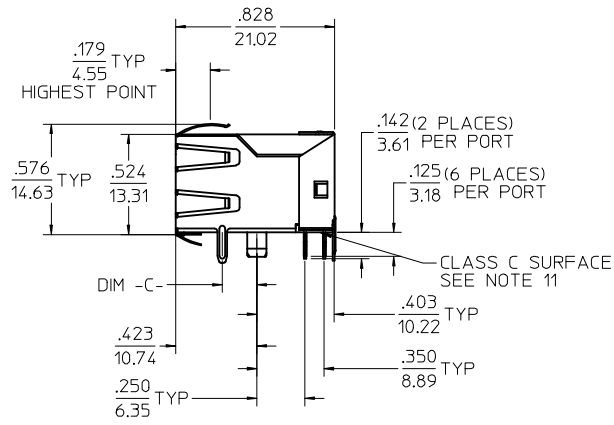
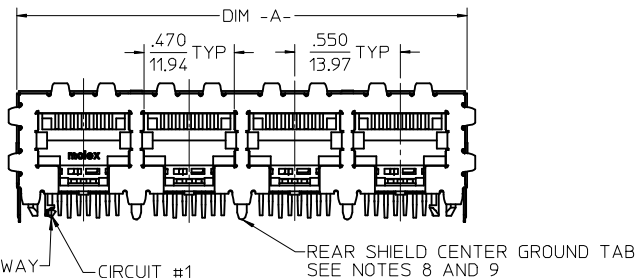
**PLEASE CHECK [WWW.MOLEX.COM](http://WWW.MOLEX.COM) FOR LATEST PART INFORMATION**



- NOTES:
- 1) MATERIAL:  
HOUSING: NYLON(PA), GLASS FILLED, UL94V-0, COLOR: BLACK  
TERMINALS: PHOSPHOR BRONZE
  - 2) FINISH:  
TERMINALS:  
SELECT GOLD IN CONTACT AREA: 50 MICROINCHES / 1.27 MICROMETERS MIN.,  
\*SELECT TIN IN PC TAIL AREA: 100 MICROINCHES / 2.54 MICROMETERS MIN.,  
WITH OVERALL NICKEL UNDERPLATE: 50 MICROINCHES / 1.27 MICROMETERS MIN.  
\*THE PRIMARY SHIPPING CARTON WILL BE LABELED "COMPLIANT TO RoHS DIRECTIVE 2002/95/EC AND ELV ANNEX II OF DIRECTIVE 2000/53/EC". CARTONS WITHOUT THIS LABEL MAY CONTAIN PRODUCT WITH TIN-LEAD IN THE PC TAILS.
  - 3) PRODUCT SPECIFICATION AND PROCESSING PARAMETERS: PS-44050-003.
  - 4) PACKAGING SPECIFICATION:  
UNSHIELDED CONNECTOR ASSEMBLIES IN THERMOFORMED TRAYS PER MOLEX PACKAGING SPECIFICATION PK-44150-005.
  - 5) MATES WITH: MODULAR PLUGS THAT CONFORM TO FCC REGULATION PART 68.5.
  - 6) PC BOARD LAYOUTS AND PANEL CUT-OUT SHOWN ON PAGE (3) OF (3).
  - 7) CONNECTOR AVAILABLE WITH EITHER PEG OPTION "A" (SNAP-FIT) OR PEG OPTION "B" (PRESS-FIT). THIS DRAWING SHOWS PEG OPTION "A".
  - 8) TERMINAL LENGTHS MAY BE DIFFERENT FROM TERMINAL TO TERMINAL.
  - 9) THIS PART CONFORMS TO CLASS B REQUIREMENTS OF COSMETIC SPECIFICATION PS-45499-002 WITH THE EXCEPTION OF THE SURFACE INDICATED WHICH IS A CLASS C SURFACE.

ASSEMBLY MATERIAL NUMBER	NUMBER OF PORTS	PEG OPTION	CENTER PEG	DIM -A-	DIM -D-
441500001	2	A	NO	1.200/30.48	1.000/25.40
441500017	2	B	NO	1.200/30.48	1.000/25.40
441500002	4	A	NO	2.300/58.42	2.100/53.34
441500018	4	B	NO	2.300/58.42	2.100/53.34
441500003	6	A	NO	3.400/86.36	3.200/81.28
441500019	6	B	NO	3.400/86.36	3.200/81.28
441500004	8	A	YES	4.500/114.30	4.300/109.22
441500020	8	B	YES	4.500/114.30	4.300/109.22

ADD NOTE 9 EC NO: UCP2009-0477 DRWN: J.BELL 2008/09/05 CHKD: J.BELL 2008/09/11 APPR: F.S.MITH 2008/09/11	DESCRIPTION QUALITY SYMBOLS ▽=0 ▽=0	GENERAL TOLERANCES (UNLESS SPECIFIED)		DIMENSION STYLE IN/MM		SCALE 2:1	DESIGN UNITS INCH	THIRD ANGLE PROJECTION																
		<table border="1"> <thead> <tr> <th></th> <th>mm</th> <th>INCH</th> </tr> </thead> <tbody> <tr> <td>4 PLACES</td> <td>± .010</td> <td>± .0004</td> </tr> <tr> <td>3 PLACES</td> <td>± .010</td> <td>± .0004</td> </tr> <tr> <td>2 PLACES</td> <td>± 0.25</td> <td>± .010</td> </tr> <tr> <td>1 PLACE</td> <td>± .010</td> <td>± .0004</td> </tr> </tbody> </table>			mm	INCH	4 PLACES	± .010	± .0004	3 PLACES	± .010	± .0004	2 PLACES	± 0.25	± .010	1 PLACE	± .010	± .0004	DRAWN BY MARANTO		DATE 98/01/21	CATEGORY 5E MODULAR JACK ASSEMBLIES, GANGED  MOLEX MOLEX INCORPORATED SD-44150-002		
			mm	INCH																				
		4 PLACES	± .010	± .0004																				
3 PLACES	± .010	± .0004																						
2 PLACES	± 0.25	± .010																						
1 PLACE	± .010	± .0004																						
APPROVED BY ROBERTS		DATE 98/01/21	MATERIAL NO. SEE CHART																					
ANGULAR ±1/2°		DRAFT WHERE APPLICABLE MUST REMAIN WITHIN DIMENSIONS		SHEET NO. 1 OF 3																				
SIZE C		THIS DRAWING CONTAINS INFORMATION THAT IS PROPRIETARY TO MOLEX INCORPORATED AND SHOULD NOT BE USED WITHOUT WRITTEN PERMISSION																						



**PEG OPTION 'A'**

SNAP-FIT PEG  
SEE NOTE #8  
(SCALE NTS)

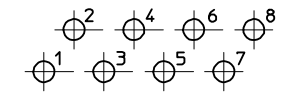
**PEG OPTION 'B'**

PRESS-FIT PEG  
SEE NOTE #8  
(SCALE NTS)

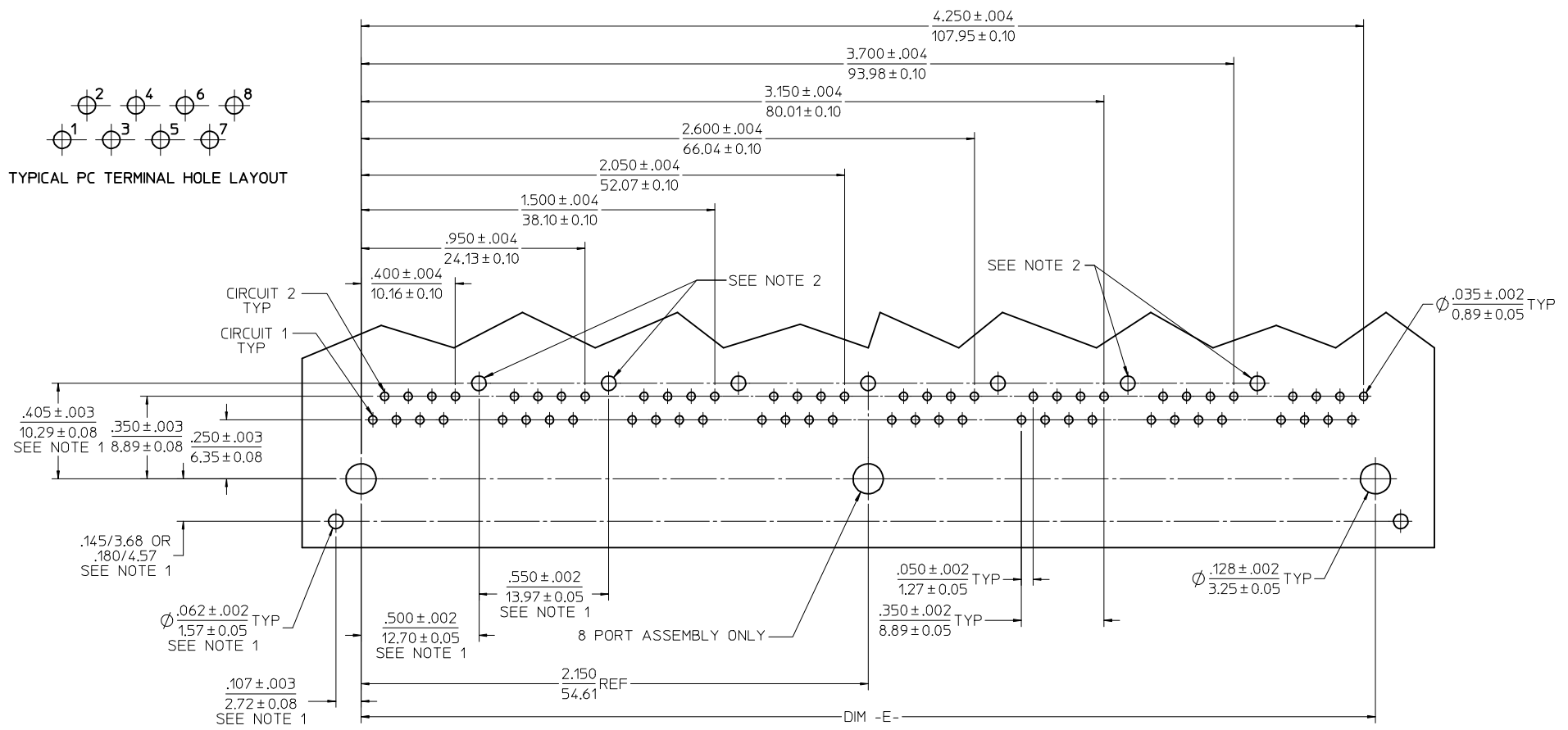
- NOTES:
- MATERIAL:  
HOUSING: NYLON(PA), GLASS FILLED, UL94V-0, COLOR: BLACK  
TERMINALS: PHOSPHOR BRONZE  
SHIELD: BRASS
  - FINISH:  
TERMINALS:  
SELECT GOLD IN CONTACT AREA: 50 MICROINCHES / 1.27 MICROMETERS MIN.,  
\*SELECT TIN IN PC TAIL AREA: 100 MICROINCHES / 2.54 MICROMETERS MIN.,  
WITH OVERALL NICKEL UNDERPLATE: 50 MICROINCHES / 1.27 MICROMETERS MIN.  
SHIELD:  
\*100 MICROINCHES / 2.54 MICROMETERS NICKEL OVER 50 MICROINCHES /  
1.27 MICROMETERS COPPER UNDERPLATE, PCB GROUND TABS DIPPED IN TIN  
\*THE PRIMARY SHIPPING CARTON WILL BE LABELED 'COMPLIANT TO ROHS  
DIRECTIVE 2002/95/EC AND ELV ANNEX II OF DIRECTIVE 2000/53/EC'.  
CARTONS WITHOUT THIS LABEL MAY CONTAIN PRODUCT WITH TIN-LEAD  
IN THE PC TAILS AND/OR SHIELD.
  - PRODUCT SPECIFICATION AND PROCESSING PARAMETERS: PS-44050-003.
  - PACKAGING SPECIFICATION:  
SHIELDED CONNECTOR ASSEMBLIES IN THERMOFORMED TRAYS PER MOLEX  
PACKAGING SPECIFICATION PK-44150-004.
  - MATES WITH: MODULAR PLUGS THAT CONFORM TO FCC REGULATION PART 68.5.
  - PC BOARD LAYOUTS AND PANEL CUT-OUT SHOWN ON PAGE (3) OF (3).
  - CONNECTOR AVAILABLE WITH EITHER PEG OPTION 'A' (SNAP-FIT) OR  
PEG OPTION 'B' (PRESS-FIT). THIS DRAWING SHOWS PEG OPTION 'A'.
  - (4) PORT AND (8) PORT MODJACKS AVAILABLE WITH A SINGLE GROUND TAB ON REAR  
OF SHIELD, LOCATED IN THE CENTER. PER THE ASSEMBLY MATERIAL NUMBER TABLE.
  - (8) PORT VERSION AVAILABLE WITH (3) GROUND TABS ON REAR OF SHIELD,  
CENTERED ON THE PART, PER THE ASSEMBLY MATERIAL NUMBER TABLE.
  - TERMINAL LENGTHS MAY BE DIFFERENT FROM TERMINAL TO TERMINAL.
  - THIS PART CONFORMS TO CLASS B REQUIREMENTS OF COSMETIC SPECIFICATION  
PS-45499-002 WITH THE EXCEPTION OF THE SURFACE INDICATED WHICH IS A  
CLASS C SURFACE.

ASSEMBLY MATERIAL NUMBER	NUMBER OF PORTS	PEG OPTION	CENTER PEG	REAR SHIELD GROUND TABS	DIM -A-	DIM -C-	DIM -D-
441500005	2	A	NO	1	1.225/31.12	0.145/3.68	1.000/25.40
441500011	2	A	NO	1	1.225/31.12	0.180/4.57	1.000/25.40
441500021	2	B	NO	1	1.225/31.12	0.145/3.68	1.000/25.40
441500027	2	B	NO	1	1.225/31.12	0.180/4.57	1.000/25.40
441500009	4	A	NO	1	2.325/59.05	0.145/3.68	2.100/53.34
441500015	4	A	NO	1	2.325/59.05	0.180/4.57	2.100/53.34
441500006	4	A	NO	3	2.325/59.05	0.145/3.68	2.100/53.34
441500012	4	A	NO	3	2.325/59.05	0.180/4.57	2.100/53.34
441500025	4	B	NO	1	2.325/59.05	0.145/3.68	2.100/53.34
441500031	4	B	NO	1	2.325/59.05	0.180/4.57	2.100/53.34
441500022	4	B	NO	3	2.325/59.05	0.145/3.68	2.100/53.34
441500028	4	B	NO	3	2.325/59.05	0.180/4.57	2.100/53.34
441500034	4	B	NO	3	2.325/59.05	N/A	2.100/53.34
441500007	6	A	NO	5	3.425/87.00	0.145/3.68	3.200/81.28
441500013	6	A	NO	5	3.425/87.00	0.180/4.57	3.200/81.28
441500023	6	B	NO	5	3.425/87.00	0.145/3.68	3.200/81.28
441500029	6	B	NO	5	3.425/87.00	0.180/4.57	3.200/81.28
441500010	8	A	YES	1	4.525/114.94	0.145/3.68	4.300/109.22
441500016	8	A	YES	1	4.525/114.94	0.180/4.57	4.300/109.22
441500033	8	A	YES	3	4.525/114.94	0.145/3.68	4.300/109.22
441500008	8	A	YES	7	4.525/114.94	0.145/3.68	4.300/109.22
441500014	8	A	YES	7	4.525/114.94	0.180/4.57	4.300/109.22
441500026	8	B	YES	1	4.525/114.94	0.145/3.68	4.300/109.22
441500032	8	B	YES	1	4.525/114.94	0.180/4.57	4.300/109.22
441500024	8	B	YES	7	4.525/114.94	0.145/3.68	4.300/109.22
441500030	8	B	YES	7	4.525/114.94	0.180/4.57	4.300/109.22

<b>ADD NOTE 11</b> EC NO: UCP2009-0477 DRWN: BELL 2008/09/05 CHKD: BELL 2008/09/11 APPR: FSMITH 2008/09/11	QUALITY SYMBOLS ▽=0 ▽=0	GENERAL TOLERANCES (UNLESS SPECIFIED)		DIMENSION STYLE <b>IN/MM</b>		SCALE <b>2:1</b>		DESIGN UNITS <b>INCH</b>		THIRD ANGLE PROJECTION	
		DRAWN BY MARANTO DATE 98/01/21		CHECKED BY ROBERTS DATE 98/01/21		APPROVED BY ROBERTS DATE 98/01/21		MATERIAL NO. <b>SEE CHART</b>		DOCUMENT NO. <b>SD-44150-002</b>	
DRAFT WHERE APPLICABLE MUST REMAIN WITHIN DIMENSIONS			THIS DRAWING CONTAINS INFORMATION THAT IS PROPRIETARY TO MOLEX INCORPORATED AND SHOULD NOT BE USED WITHOUT WRITTEN PERMISSION								



TYPICAL PC TERMINAL HOLE LAYOUT

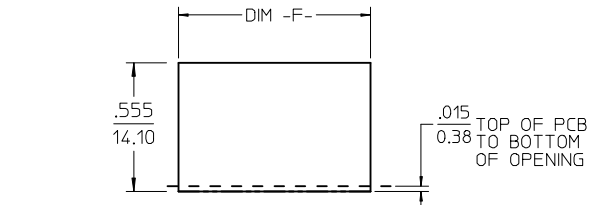


PCB LAYOUT : COMPONENT SIDE  
RECOMMENDED PCB THICKNESS : .062/1.57

NOTES:

1. DIMENSIONS REFER TO SHIELDED ASSEMBLIES ONLY
2. SHIELD PCB GROUND TAB HOLES SPECIFIED NOT PRESENT FOR 441500033 USAGE

NUMBER OF PORTS	DIM -E-	DIM -F-
2	1.000/25.40	1.255/31.88
4	2.100/53.34	2.355/59.82
6	3.200/81.28	3.455/87.86
8	4.300/109.22	4.555/115.70



SUGGESTED PANEL OPENING  
SHIELDED VERSIONS

SEE SHEET 1	QUALITY SYMBOLS
EC NO: UCP2009-0477	▽=0
DRWN:JBELL 2008/09/05	▽=0
CHKD:JBELL 2008/09/11	
APPR:FSMITH 2008/09/11	
REV	DESCRIPTION
D1	

GENERAL TOLERANCES (UNLESS SPECIFIED)	
mm	INCH
4 PLACES ± .25	± .010
3 PLACES ± .10	± .010
2 PLACES ± .025	± .010
1 PLACE ± .010	± .010
ANGULAR ± 1/2°	
DRAFT WHERE APPLICABLE MUST REMAIN WITHIN DIMENSIONS	

DIMENSION STYLE	
IN/MM	
DRAWN BY	DATE
MARANTO	98/01/21
CHECKED BY	DATE
ROBERTS	98/01/21
APPROVED BY	DATE
ROBERTS	98/01/21
MATERIAL NO.	
N/A	
SIZE	
C	

SCALE	DESIGN UNITS	THIRD ANGLE PROJECTION
	INCH	
TITLE		
CATEGORY 5E MODULAR JACK ASSEMBLIES, GANGED		
MOLEX INCORPORATED		
DOCUMENT NO.	SHEET NO.	
SD-44150-002	3 OF 3	
THIS DRAWING CONTAINS INFORMATION THAT IS PROPRIETARY TO MOLEX INCORPORATED AND SHOULD NOT BE USED WITHOUT WRITTEN PERMISSION		