

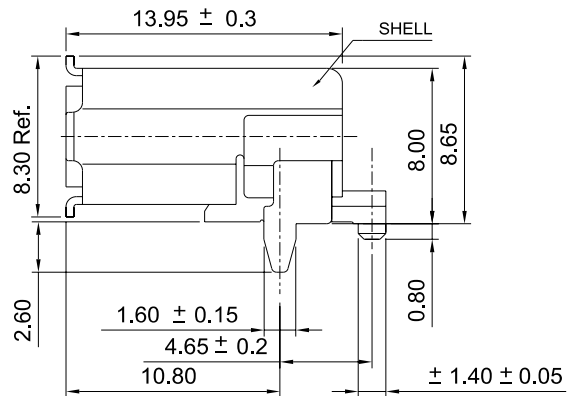
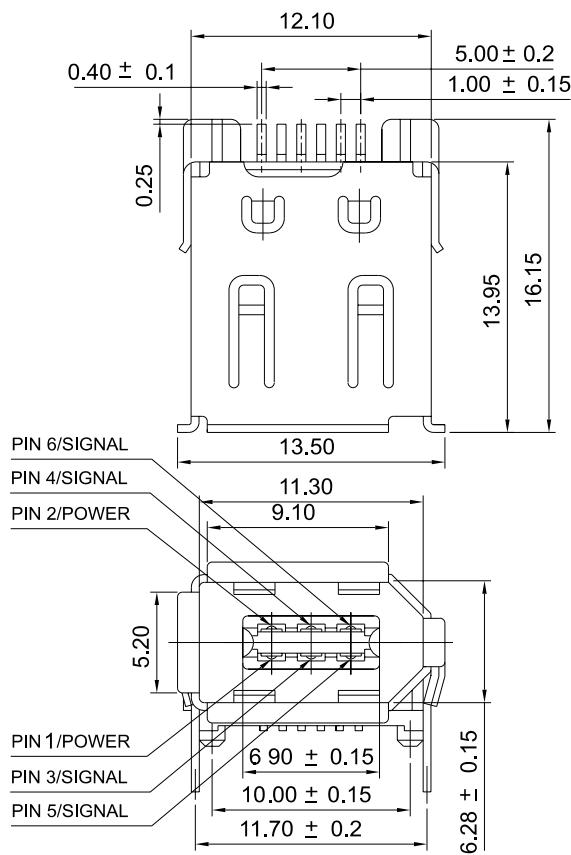
IEEE1394 HORIZONTAL R/A SMD TYPE



020141MB Series

Specifications:

- **Insulator Material** : High Temp. Plastic
- **Max Processing Temp** : -40°C ~+85°
- **Terminal Material** : Phosphor Bronze
- **Plating** : Selective Gold Plated
- **Max. Current Rating** : 1.0A
- **Voltage Rating** : 30V AC
- **Dielectric Strength** : 500V (Min. 60 Seconds)



Order Information

020141MB006S500ZU
1 2 3 4 5

1. 'B' : Right Angle SMT Type
 2. No. of Pins
 3. Plating
'S5' : 30u" selctive gold in contact area
/min. 100u"tin solder area
 4. Color 'Z' : Black
 5. Package
'U' : Tube Package Without Cap
- Reference Page 11

Recommended P.C.B Layout

