

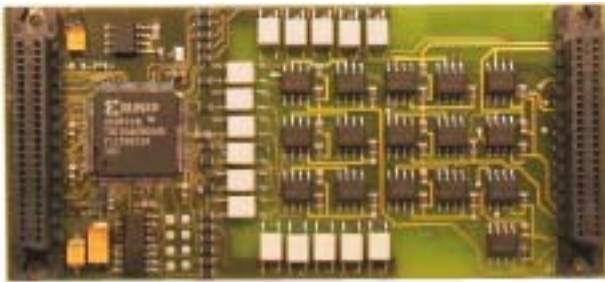
The Embedded I/O Company

TIP700 16 (8) Digital Outputs, high and low side switches

Application Information

The TIP700 is an IndustryPack® compatible module providing 16 (8) digital outputs with galvanic isolation via optocouplers. The outputs are isolated against each other in groups of two.

All outputs resist short-circuits and are protected against thermal overload. The outputs are capable of driving 0.5A per channel. Each output can be configured individually as high or low side switch.

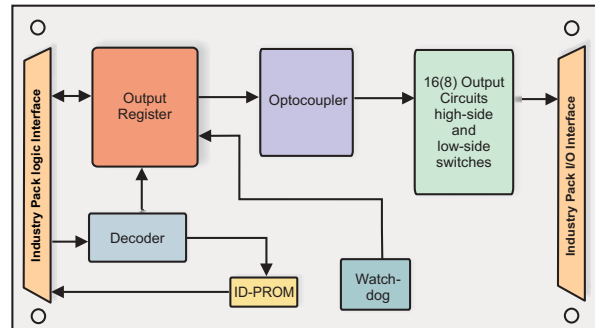


For First-Time-Buyers the engineering documentation TIP700-ED is recommended. The engineering documentation includes TIP700-DOC, schematics and data sheets.

Driver software (TIP700-SW-xx) is available for different operating systems.

Technical Information

- Interface according to IndustryPack specification
- Identification-PROM supports auto-configuration
- Single Size IndustryPack
- 16 (8) digital outputs, high and low side switches
- 24V signal voltage, current per output 0.5A
- Optocouplers for galvanic isolation of outputs to computer system
- Outputs are isolated against each other in groups of two
- Outputs are short-circuit protected
- Outputs protected against thermal overload
- Watchdog timer resets all channels in case of triggering failure



Order Information

| | |
|---------------------|--|
| TIP700-10 | 16 Digital Outputs, 24V, 0.5A high and low side switches |
| TIP700-20 | Same as TIP700-10 but 8 outputs |
| TIP700-DOC | User Documentation |
| TIP700-ED | Engineering Documentation, includes TIP700-DOC |
| TIP700-SW-12 | OS-9 Software Support |
| TIP700-SW-32 | pSOS Software Support |
| TIP700-SW-42 | VxWorks Software Support |
| TIP700-SW-62 | Windows NT 4.0 Software Support |
| TIP700-SW-72 | LynxOS Software Support |
| TIP700-SW-82 | LiNux Software Support |
| TIP700-SW-92 | QNX 4 Software Support |
| TIP700-SW-95 | QNX 6 Software Support |