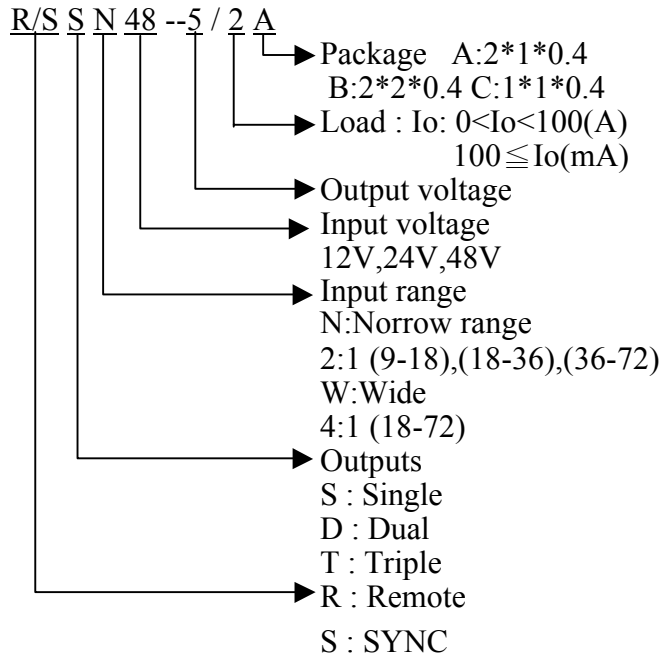




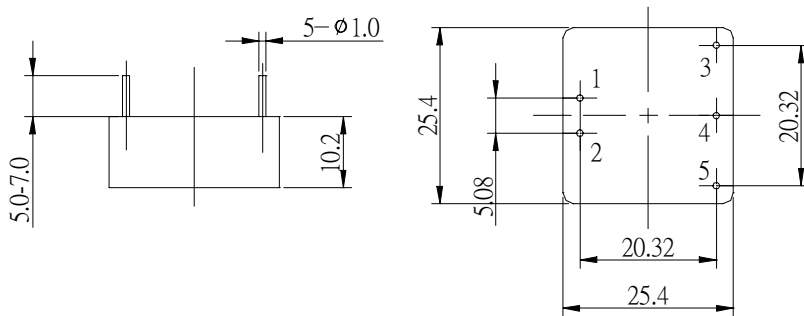
**Part Number SPECLIN**



**Characteristics:**

- ✧ Input under-voltage protection
- ✧ Input over-voltage protection
- ✧ Output voltage adjustable
- ✧ Output over current protection
- ✧ High efficiency, high density and high reliability
- ✧ Pall application

**Mechanical drawing**



**PIN Definition**

| PIN | 1    | 2    | 3     | 4      | 5     |
|-----|------|------|-------|--------|-------|
| S   | +Vin | -Vin | +Vout | No PIN | -Vout |
| D   | +Vin | -Vin | +Vout | COM    | -Vout |

NOTICE : Without Note Tolentrance . ±0.X

## 10W

| SYNC \ | P/N            | Vin range | V <sub>0</sub> (VDC) | Load <sub>(A)</sub> | $\eta$ (TYPE) |
|--------|----------------|-----------|----------------------|---------------------|---------------|
| R/S    | SN48-3.3/3-A   | 36-72     | 3.3                  | 3                   | 82%           |
| R/S    | SN48-5/2-A     | 36-72     | 5                    | 2                   | 82%           |
| R/S    | SN48-12/0.85-A | 36-72     | 12                   | 0.85                | 82%           |
| R/S    | SN48-15/0.7-A  | 36-72     | 15                   | 0.7                 | 82%           |

## Specifications

|    |                               |                                    |
|----|-------------------------------|------------------------------------|
| 1  | Input voltage range           | 48:36~72Vdc;24:18~36Vdc;12:9~18Vdc |
| 2  | Output voltage accuracy       | ±1%                                |
| 3  | Line regulation               | ±0.2% max                          |
| 4  | Load Regulation               | ±0.5% max                          |
| 5  | Output timing                 | ±10%                               |
| 6  | Over Current Protection Point | 120%-150%                          |
| 7  | Efficiency                    | 82%                                |
| 8  | Switching Frequency           | 300KHz                             |
| 9  | Isolation voltage             | 1500Vdc                            |
| 10 | Temperature Coefficient       | ±0.02%/°C                          |
| 11 | Storing Temperature           | -40°C--105°C                       |
| 12 | Operating Temperature         | -25°C--85°C                        |
| 13 | Weight                        | 18g                                |
| 14 | Relative Humidity             | 10%--90%                           |



